



**NORDIC[®]
CLAYS**

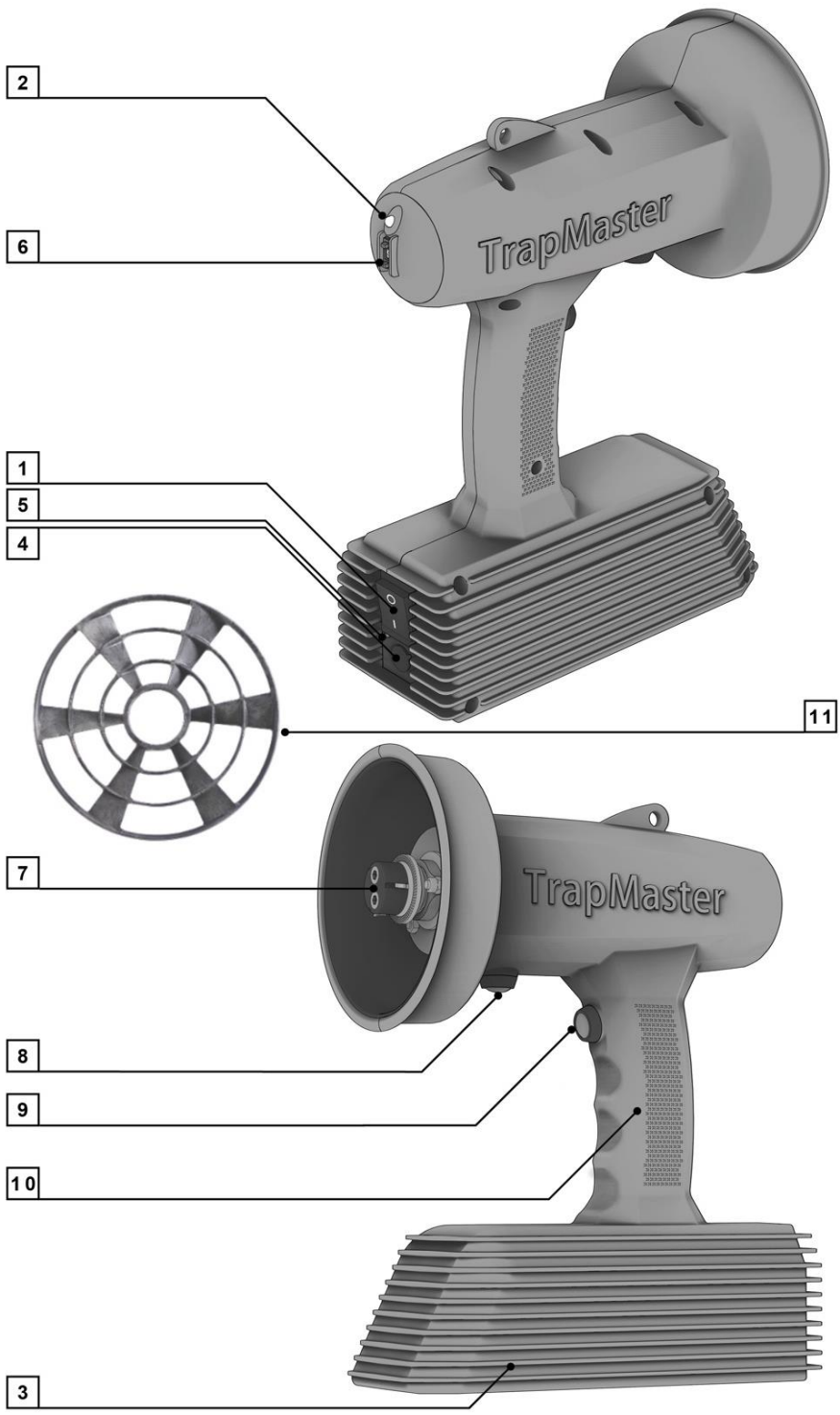
Find our patents and trademarks [here](#).

Version no.: 01
Date of release: 1st of July 2025

TRAPMASTER PRO



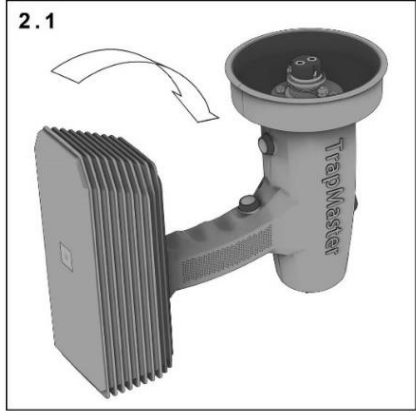
English	Original instructions	Page 4
Dansk	Original brugsanvisning	Side 11
Svensk	Bruksanvisning i original	Sidan 18
Norsk	Original driftsinstruks.....	Side 25
Espanõl	Manual original.....	Página 32
Français	Notice originale.....	Page 39
Italiano	Istruzioni originali	Pagina 47
Português	Manual original.....	Página 54
Suomi	Alkuperäiset ohjeet	Sivu 62
عربي	الأصلية التعليمات.....	الصفحة 69
Deutsch	Originalanleitung.....	Buchseite 77
FCC sDOC	Page 86
ISED sDOC	Page 86
Limited Warranty USA & Canada	Page 87



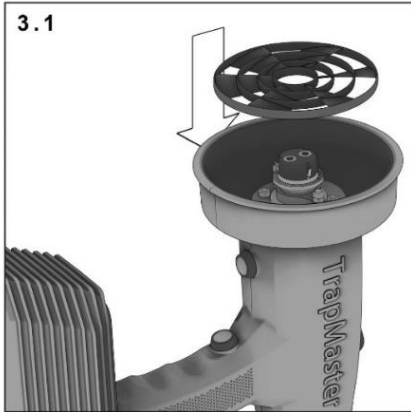
Quick start guides at
www.nordicclays.com/quickstart

LOADING MANUAL

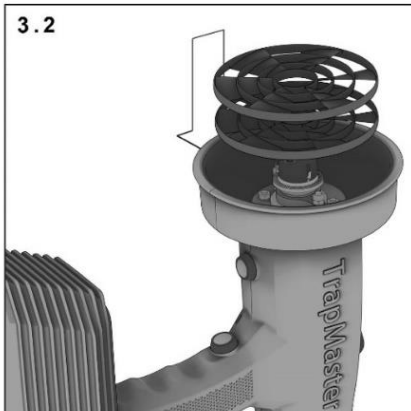
TILT 90°



SINGLE



DOUBLE



Attention!

Read all the safety warnings, instructions, illustrations and specifications, which come with the clay thrower, TrapMaster Pro. Follow them carefully and keep them together with the TrapMaster Pro for future reference.

1 Safety

 **WARNING** Read all safety warnings, instructions, illustrations and specifications provided with this power tool. Failure to follow all instructions listed below may result in electric shock, fire and/or serious injury.

Save all warnings and instructions for future reference.

The term "power tool" in the warnings refers to your mains-operated (corded) power tool or battery-operated (cordless) power tool.

Work area safety

- **Keep work area clean and well lit.** Cluttered or dark areas invite accidents.
- **Do not operate power tools in explosive atmospheres, such as in the presence of flammable liquids, gasses or dust.** Power tools create sparks which may ignite the dust or fumes.
- **Keep children and bystanders away while operating a power tool.** Distractions can cause you to lose control.

Electrical safety

- **Power tool plugs must match the outlet. Never modify the plug in any way. Do not use any adapter plugs with earthed (grounded) power tools.** Unmodified plugs and matching outlets will reduce risk of electric shock.
- **Avoid body contact with earthed or grounded surfaces, such as pipes, radiators, ranges and refrigerators.** There is an increased risk of electric shock if your body is earthed or grounded.
- **Do not expose power tools to rain or wet conditions.** Water entering a power tool will increase the risk of electric shock.
- **Do not abuse the cord. Never use the cord for carrying, pulling or unplugging the power tool. Keep cord away from heat, oil, sharp edges or moving parts.** Damaged or entangled cords increase the risk of electric shock.
- **When operating a power tool outdoors, use an extension cord suitable for outdoor use.** Use of a cord suitable for outdoor use reduces the risk of electric shock.
- **If operating a power tool in a damp location is unavoidable, use a residual current device (RCD) protected supply.** Use of an RCD reduces the risk of electric shock.

Personal safety


- **Stay alert, watch what you are doing and use common sense when operating a power tool. Do not use a power tool while you are tired or under the influence of drugs, alcohol or medication.** A moment of inattention while operating power tools may result in serious personal injury.
- **Use personal protective equipment. Always wear eye protection.** Protective equipment such as a dust mask, non-skid safety shoes, hard hat or hearing protection used for appropriate conditions will reduce personal injuries.
- **Prevent unintentional starting.** Ensure the switch is in the off position before connecting to power source and/or battery pack, picking up or carrying the tool. Carrying power tools with your finger on the switch or energizing power tools that have the switch on invites accidents.
- **Remove any adjusting key or wrench before turning the power tool on.** A wrench or a key left attached to a rotating part of the power tool may result in personal injury.
- **Do not overreach. Always keep proper footing and balance.** This enables better control of the power tool in unexpected situations.
- **Dress properly. Do not wear loose clothing or jewellery. Keep your hair and clothing away from moving parts.** Loose clothes, jewellery or long hair can be caught in moving parts.
- **If devices are provided for the connection of dust extraction and collection facilities, ensure these are connected and properly used.** Use of dust collection can reduce dust-related hazards.
- **Do not let familiarity gained from frequent use of tools allow you to become complacent and ignore tool safety principles.** A careless action can cause severe injury within a fraction of a second.

Power tool use and care

- **Do not force the power tool. Use the correct power tool for your application.** The correct power tool will do the job better and safer at the rate for which it was designed.
- **Do not use the power tool if the switch does not turn it on and off.** Any power tool that cannot be controlled with the switch is dangerous and must be repaired.
- **Disconnect the plug from the power source and/or remove the battery pack, if detachable, from the power tool before making any adjustments, changing accessories, or storing power tools.** Such preventive safety measures reduce the risk of starting the power tool accidentally.
- **Store idle power tools out of the reach of children and do not allow persons unfamiliar with the power tool or these instructions to operate the power tool.** Power tools are dangerous in the hands of untrained users.

- **Maintain power tools and accessories.** Check for misalignment or binding of moving parts, breakage of parts and any other condition that may affect the power tool's operation. If damaged, have the power tool repaired before use. *Many accidents are caused by poorly maintained power tools.*
- **Keep cutting tools sharp and clean.** *Properly maintained cutting tools with sharp cutting edges are less likely to bind and are easier to control.*
- **Use the power tool, accessories and tool bits etc. in accordance with these instructions, taking into account the working conditions and the work to be performed.** *Use of the power tool for operations different from those intended could result in a hazardous situation.*
- **Keep handles and grasping surfaces dry, clean and free from oil and grease.** *Slippery handles and grasping surfaces do not allow for safe handling and control of the tool in unexpected situations.*

Battery tool use and care

- **Recharge only with the charger specified by the manufacturer.** *A charger that is suitable for one type of battery pack may create a risk of fire when used with another battery pack.*
- **Use power tools only with specifically designated battery packs.** *Use of any other battery packs may create a risk of injury and fire.*
- **When battery pack is not in use, keep it away from other metal objects, like paper clips, coins, keys, nails, screws or other small metal objects, that can make a connection from one terminal to another.** *Shorting the battery terminals together may cause burns or a fire.*
- **Under abusive conditions, liquid may be ejected from the battery; avoid contact. If contact accidentally occurs, flush with water.** *If liquid contacts eyes, additionally seek medical help. Liquid ejected from the battery may cause irritation or burns.*
- **Do not use a battery pack or tool that is damaged or modified.** *Damaged or modified batteries may exhibit unpredictable behaviour resulting in fire, explosion or risk of injury.*
-  **Do not expose a battery pack or tool to fire or excessive temperature.** *Exposure to fire or temperature above 130 °C may cause explosion.*
- **Follow all charging instructions and do not charge the battery pack or tool outside the temperature range specified in the instructions.** *Charging improperly or at temperatures outside the specified range may damage the battery and increase the risk of fire.*

Service

- **Have your power tool serviced by a qualified repair person using only identical replacement parts.** *This will ensure that the safety of the power tool is maintained.*
- **Never service damaged battery packs.** *Service of battery packs should only be performed by the manufacturer or authorized service providers.*

TrapMaster Pro Safety Warnings

- **Never play with the TrapMaster Pro. Never point or aim at anybody or at animals. Only use the TrapMaster Pro outdoors and in open spaces. Always shoot up in the air.**
- **Only use the TrapMaster Pro on permanent or temporary shooting ranges.** *Used clay targets, whether fully intact or in pieces shall not be left in private or public areas where people, children, animals or livestock may get in contact with them by coincidence.*



- **In addition to eye protection always use hearing protection, when the TrapMaster Pro is used near shooters.** *The eye protection is important due to hazards from the TrapMaster Pro and the noise from the shooting may harm your hearing.*
- **Always hold the TrapMaster Pro securely and in a straight arm pointing in the direction of intended trajectory of the clay target(s).** *This will ensure a clear indication of the trajectory. A bended arm may result in the clay target exiting the TrapMaster Pro in an unsafe distance too close to the user of the TrapMaster Pro and people nearby.*
- **Never aim, point at or shoot at any persons or animals. Always shoot up in the air. A clear view of 40 degrees to the left and to the right of the aiming direction of the TrapMaster Pro is mandatory.** *This will ensure that the user of the TrapMaster Pro can observe people, animals, and livestock, who by accident may arrive to the shooting area and consequently not initiate a new shot.*
- **Never try to stop the rotating clay by hand or by holding an item in front of the TrapMaster Pro, when the red fire button has been pushed. Instead, stop the clay by switching off the TrapMaster Pro on its power switch button.** *The clay target is fragile and will splinter if it hits something. The splinters may have sharp edges and may be able to cause damage.*
- **Before pushing the red fire button, always ensure nobody stands in the way and that the safety distances are kept by everyone nearby. Make sure that everyone is aware of the person shooting with the TrapMaster Pro.**
- **Only use original clay targets from the manufacturer of the TrapMaster Pro, Nordic Clays.** *Other clay targets with different strength, weight, balance, propellant effect, etc. may create unforeseen dangers and wreck the TrapMaster Pro.*

Safety distances

- When launching a clay, no person, animal or livestock may be located in front of the user of the TrapMaster Pro in a distance of 120 meter or in a rectangular area 2,0 m to the left, 2,0 m to the right and 1,0 m behind. *This is to protect people nearby against splinters from a clay in case it breaks when launched or immediately after.*

Users

- Adults, who have read and understood the instruction handbook and thereby obtained knowledge to the function of the TrapMaster Pro as well as the safety instructions, etc. must be well functioning physically and mentally, as well as they must have normal eyesight and hearing possibly by using spectacles/hearing aid.
- Only people above 16 years are allowed to use the TrapMaster Pro. Young people in the age of 16 to 17 years must be in supervision of experienced users and furthermore fulfil the requirements to adult users. *The age group 16-17 years of age may have mixed authority and poor awareness of risks.*

2 Product overview

2.1 Manufacturer

Nordic Clays ApS
 Rolighedsvvej 9, 1. TV
 DK-1958 Frederiksberg C
 Phone: +45 29 88 22 93
 E-mail: info@nordicclays.com
www.nordicclays.com

2.2 Designation of the clay thrower

The full designation: TrapMaster Pro 1.0

2.3 Intended use

The machine is intended for being held forward in a straight arm to launch circular discs of biobased material, which function as clay targets for clay pigeon shooting.

2.4 Prohibited applications

The TrapMaster Pro may only be used as intended. The user may never disassemble the TrapMaster Pro, this will cancel and void your warranty.

2.5 Illustrated components

The numbering of the illustrated components refers to the illustration of the power tool on page 2.

- 1: Power switch (On/Off)
- 2: Indicator LED for battery levels
 - a. Battery levels:
 - i. Green = 33-100%
 - ii. Red = 0-33%
- 3: Integral rechargeable battery (Li-Ion)
- 4: Socket for battery charger
- 5: Charging LED
 - a. Red light = charging
 - b. No light = fully charged.
- 6: Stepwise power regulator (steps 0 – 9)
 - a. 9 being the highest speed
 - b. 0 being the lowest speed
- 7: Shaft
- 8: Blue load button to lock the clay(s) to the shaft
 - a. If the claws are out, the button can be held down to drive them in again.
 - i. When the button is held down, the red button (9) won't work.
 - b. You can also restart the machine, to drive the claws back in.
- 9: Red fire button to launch the clay(s)

- 10: Grip
- 11: Clay target
 - a. Can be loaded in the shaft both ways (7)

2.6 Function of the TrapMaster Pro

The TrapMaster Pro is switched on with the power switch (1), the clay(s) (11) is mounted on the Shaft (7), the three “claws” are activated by the blue load button (8), the firing and acceleration of the clay(s) is activated by the red fire button (9). When the rotating speed of the clay(s) corresponds to the setting of the stepwise power regulator (6) the shaft moves a bit forward at the same time as the claws retract and the clay(s) flies out of the TrapMaster Pro and the rotation of the shaft stops shortly thereafter. When the shaft stops spinning, the TrapMaster Pro is ready for a repetition of the process.

2.7 Technical specifications

2.7.1 Weight

2.0 kg.

2.7.2 Electrical power supply

Rated voltage: 15 V DC

Max charge current: 1.2 A

Recommended charger: TDX-1501200

2.8 Emission, noise

The A-weighted emission sound pressure level, LpA, produced by the TrapMaster Pro does not exceed 70 dB(A).

2.9 Operating and storage conditions

Outdoor with good visibility on permanent or temporary clay pigeon shooting ranges.

Environment	
Permitted ambient temperature range during operation and storage.	-10 to +40 °C
Recommended ambient temperature range for long time storage (over 3 months).	20 ±5 °C
Recommended ambient temperature range during charging.	0 to +35 °C
Permitted relative humidity (non-condensing)	Min. 20 % Max. 90 %
Recommended relative humidity for long time storage (over 3 months).	65 ±20 %
EMC Environment	B, (Residential properties, light-industrial locations or comparable areas)

2.10 Intended service life of the machine

The TrapMaster Pro is expected to work for 5 years. After the 5 years, the TrapMaster Pro must be serviced or refurbished at an overhaul by the manufacturer.

3 Charging

Use only the charger listed in section “Electrical power supply” or one with identical specifications.

If the Indicator LED (2) emits no light at all, after switching the TrapMaster Pro on, then the battery is empty and needs to be charged. When the light is red the capacity of the battery is lower than 33%. The light must be either green, yellow or red for the TrapMaster Pro to be ready and functional.

To charge the TrapMaster Pro:

- Remove the protection socket (4)
- Plug in the small plug of the charger
- Connect the charger to the wall plug
- Check the red Charging LED (5) lights up which indicates it is charging
- Let the charging continue until the Charging LED turns off, indicating the charging has completed.
- Unplug the charger from the wall plug and then from the TrapMaster Pro
- Put the protection socket back into the plug (4)

The TrapMaster Pro should always be switched off, while charging.

During charging, avoid covering the battery charger or the battery part of the TrapMaster Pro below the handle, and ensure good ventilation.

4 Operation

Machine operation must comply with the intended use of the machine. See section 2.4 Intended use.

4.1 Risks and hazards

All users must have gone through all safety aspects described in section 1 Safety before operating the machine for the first time.

4.2 Controls

The TrapMaster Pro is manually controlled by the power switch (1), the stepwise power regulator (6), blue load button to lock the clay(s) (8) and the red fire button (9). The numbers refer to section 2.6 TrapMaster Pro features.

4.3 Operating modes

- Manual operation: The user fixes a clay(s) at the shaft (7) by activating the blue load button (8) and launch it by pushing the red fire button (9). This is done repeatedly. The numbers refer to section 2.6 TrapMaster Pro features.
- Charging: The user charges the integral rechargeable battery by using the included battery charger.

4.4 Starting

Each time you start using TrapMaster Pro after it has been put aside even for a short time you must check the power switch for use as an emergency stop. How to do it, see section 5 “Inspection and testing of the TrapMaster Pro.”

Before using the TrapMaster Pro, the user must also ensure that:

- There is sound footing
- There is a clear view of 40 degrees to the left and to the right of the aiming direction
- There is no people located within the aforementioned angles.

4.5 Mounting and launching a clay(s)

- Take a new clay(s) (11).
- Check the clay(s) is undamaged and intact, if not, discard it and take another one.
- Switch on the TrapMaster Pro on the power switch (1).
- Wait until the Indicator LED (2) turns on and has played its start-up sound.
 - Three fast beeps and one long.
- While holding the TrapMaster Pro in your hand tilt the TrapMaster Pro 90° backwards, so the shaft (7) is pointed towards the sky and is horizontal.

- Place the clay on the Shaft (7) so the clay(s) rests on the stop.
- Push the blue load button (8) to lock the clay(s) onto the shaft.
 - Should you by mistake push the button, before placing the clay(s). Then push and hold the button till you've placed the clay(s) on the shaft.
- Notice the short little sound and the clay(s) is/are locked to the shaft.
- Check again the footing and that no people are located within the hazardous areas.
- Push the red fire button (9), the clay starts accelerating leaving the TrapMaster Pro 2-3 seconds later.
- When the shafts rotation has stopped, the TrapMaster Pro is ready for a new clay(s) and you may repeat the procedure or switch it off on the power switch (1).

4.6 Emergency situations

Dangerous situations may occur during use where it is necessary to make an immediate stop of the TrapMaster Pro. If such a situation occurs, switch it off on the power switch (1).

Following situation may require emergency stop of the TrapMaster Pro:

- A dangerous situation
- The occurrence of sudden unknown conditions, e.g., abnormal noises (rumbling, knocking, sizzling), vibrations or heat. In this case the user must inspect the TrapMaster Pro for faults and defects before turning it on again.

4.7 Removal of waste from operation

After having shot one or multiple clays, always make sure to take your trash with you, so you leave the nature as when you arrived.

4.8 Transportation

Always use the suitcase delivered with the TrapMaster Pro when you transport or store the TrapMaster Pro.

The integral Li-Ion battery is subject to the Dangerous Goods Legislation requirements. The battery is suitable for road-transport by the user without further restrictions.

When shipping by third parties (e.g.: by air transport or parcel post), special requirements on packaging and labelling must be observed. For preparation of the item consult the company, you intend to use. Be aware of the possibility of more detailed national regulations.

5 Maintenance and service

There are no user-replaceable parts.

Inspection and testing of the TrapMaster Pro

Component/ machine part:	Frequency:	How (method):	Acceptance/ non-acceptance:	Action:	I/T/M <small>I = Inspection T = Testing M = Measuring</small>
Safety relevant inspection and testing:					
The power switch for use as emergency stop.	Each time TrapMaster Pro has been put aside even for a short time and at least once a year.	Follow the instruction in section "Mounting and launching a clay(s)", but without a clay. Within 1 second after the motor starts switch off the machine on the power switch.	The motor must stop immediately.	In the event of a failure, the TrapMaster Pro must be repaired, after which the function must be tested again.	I/T

6 Cleaning

Keep the TrapMaster Pro clean. After use turn off the TrapMaster Pro and clean the TrapMaster Pro properly for dust and dirt. Use a wet piece of cloth with a little mild detergent. Do not soak the TrapMaster Pro in water. Dry the TrapMaster Pro gently after cleaning. After cleaning, store the TrapMaster Pro in a dry and safe environment. The TrapMaster Pro must not be stored in a moist and damp area for a longer period of time.

7 Troubleshooting

7.1 Troubleshooting and general fault identification

When irregularities are detected during operation of the machine, an investigation must be carried out as soon as possible. By rapid intervention and correction of the irregularities, a dangerous situation may be prevented, as well as avoiding unnecessary wear and strain on the machine. If the TrapMaster Pro does not start working properly after having been turned off and restarted a few times, the machine must be sent to our manufacturing address.

In the event of repetitive errors due to an unknown fault, an overall inspection of the machine is to be performed. Should the issues persist, contact the manufacturer by phone or email, stating your challenges.

8 Disposal

The product is subject to Directive 2012/19/EU on waste electrical and electronic equipment (WEEE) and 2006/66/EC on batteries and accumulators and waste batteries and accumulators.

The symbol indicates that this product including the battery must not be disposed of with your other household waste. Batteries, electrical and electronic equipment contain substances, which may cause damage to human health and environment if not recycled correctly. It is your responsibility to hand over this product to a local designated WEEE collection point for recycling. When handing over for correct recycling you help to prevent these products straining nature and environment unnecessarily and to protect human health. For more information, please contact your local city office or your household waste disposal service.



Integral Battery: The built-in battery is a Li-Ion type. Do not disassemble the product for disposal. This requires special knowledge to do in a safe manner.

9 Copy of the EC declaration of conformity

EC Declaration of conformity
2006/42/EF appendix II A

Manufacturer and compiler of the technical file:

Name: Nordic Clays ApS
Address: Rolighedsvvej 9, 1. TV
Zip code and city: DK-1958 Frederiksberg C

Hereby declare that the machine of type:

- TrapMaster Pro

Is manufactured in accordance with the following Community directives:

- 2006/42/EF Machinery directive
- 2014/30/EU EMC-directive

Friis Arne Petersen

Friis Arne Petersen

CEO

Position

Copenhagen K

Place

14-06-2022

Date

Bemærk!

Læs alle sikkerhedsadvarsler, instruktioner, illustrationer og specifikationer, som følger med lervedkasteren, TrapMaster Pro. Følg dem omhyggeligt og opbevar dem i nærheden af TrapMaster Pro til fremtidig brug.

1 Sikkerhed

ADVARSEL Læs alle sikkerhedsadvarsler, instruktioner, illustrationer og specifikationer, som følger med el-værktøjet. Manglende overholdelse af instruktionerne nedenfor kan medføre elektrisk stød, brand og/eller alvorlig personskade. Opbevar alle advarsler og instruktioner til fremtidig brug.

Betegnelsen "el-værktøj" i advarslerne henviser til dit el-værktøj sluttet til lysnettet (ledningsforbundet) eller batteridrevne (ledningsfrie) el-værktøj.

Sikkerhed på arbejdspladsen

- Hold arbejdsområdet rent og godt oplyst. Rodede eller mørke områder inviterer til ulykker.
- Brug ikke el-værktøj i eksplosionsfarlige omgivelser, som hvor der er brændbare væsker, gasser eller støv. El-værktøj danner gnister, som kan antænde støv eller dampe.
- Hold børn og andre personer væk, mens du betjener el-værktøj. Forstyrrelser kan få dig til at miste kontrollen over maskinen.

Elektrisk sikkerhed

- El-værktøjets stik skal passe til kontakten. Lav aldrig om på stikket på nogen måde. Brug ikke adapterstik sammen med jordforbundet el-værktøj. Uændrede stik, der passer til kontakterne, nedsætter risikoen for elektrisk stød.
- Undgå kropskontakt med jordforbundne overflader såsom rør, radiatorer, komfurer og køleskabe. Der er en forøget risiko for elektrisk stød, hvis din krop er jordforbundet.
- Udsæt ikke el-værktøj for regn eller fugt. Vand, der kommer ind i el-værktøj, vil forøge risikoen for elektrisk stød.
- Misbrug ikke ledningen. Brug aldrig ledningen til at bære eller trække i el-værktøjet. Fjern aldrig stikket fra kontakten ved at trække i ledningen. Hold ledningen væk fra varme, olie, skarpe kanter og bevægelige dele. Beskadigede eller sammenfiltrede ledninger forøger risikoen for elektrisk stød.
- Når el-værktøjet anvendes udendørs, så brug en forlængerledning, der er beregnet til udendørs brug. Brug af forlængerledning til udendørs brug nedsætter risikoen for elektrisk stød.
- Hvis det ikke kan undgås at bruge el-værktøjet i fugtige omgivelser, skal elforsyningen være beskyttet med et HPFI-relæ (RCD-relæ). Brug af et HPFI-relæ (RCD-relæ) nedsætter risikoen for elektrisk stød.

Personlig sikkerhed

- Vær opmærksom, se på det, du foretager dig, og brug sund fornuft, når du bruger el-værktøj. Brug ikke el-værktøj, mens du er træt eller påvirket af euforiserende stoffer, alkohol eller medicin. Et øjeblik uopmærksomhed under betjening af el-værktøj kan medføre alvorlig personskade.
- Brug personlige værnemidler. Brug altid øjenværn. Værnemidler såsom støvmaske, skridsikre sikkerhedssko, sikkerhedshjelm eller høreværn, der bruges ved passende forhold, vil nedsætte personskader.
- Forebyg utilsigtet start. Sørg for at der er slukket på afbryderen før tilkobling til elforsyningen og/eller batteriet, du løfter el-værktøjet op eller bærer det. At bære el-værktøj med fingeren på afbryderen eller sætte strøm til el-værktøj, der har afbryderen på tændt, inviterer til ulykker.
- Fjern ethvert indstillingsværktøj eller skruenøgle før tænding af el-værktøjet. En skruenøgle eller andet værktøj efterladt i en roterende del af el-værktøjet kan medføre personskade.
- Ræk ikke for langt. Oprethold ordentligt fodfæste og balance hele tiden. Det muliggør bedre kontrol over el-værktøjet i uventede situationer.
- Klæd dig ordentligt på. Hav ikke løst tøj eller smykker på. Hold dit hår og din påklædning væk fra bevægelige dele. Løst tøj, smykker og langt hår kan blive fanget af bevægelige dele.
- Hvis der er anordninger for tilslutning af støvudsugnings- og opsamlingsudstyr, så sørg for, at det tilsluttes og bruges korrekt. Brug af støvopsamling kan reducere støvrelaterede farer.
- Lad ikke fortrolighed opnået ved ofte brug af værktøj tillade dig at blive for selvsikker og ignorere principper for sikker brug af værktøj. En skødesløs handling kan forårsage alvorlig personskade på en brøkdæl af et sekund.

Brug og omhu med el-værktøj

- Præs ikke el-værktøjet. Brug det rigtige el-værktøj til anvendelsen. Det korrekte el-værktøj vil gøre arbejdet bedre og mere sikkert ved den ydelse, som det er konstrueret til.
- Brug ikke el-værktøjet, hvis afbryderen ikke tænder og slukker for det. Ethvert el-værktøj, som ikke kan styres med afbryderen, er farligt og skal repareres.
- Tag stikket ud af stikkontakten og/eller fjern batteriet, hvis det er aftageligt, inden du foretager nogen som helst indstillinger, skifter tilbehør eller lægger el-værktøjet til opbevaring. Den slags forebyggende sikkerhedsforanstaltninger nedsætter risikoen for utilsigtet start af el-værktøj.
- Opbevar el-værktøj, der ikke er i brug, uden for børns rækkevidde, og tillad ikke personer, der er uøvet i brug af el-værktøjet eller ubekendt med foreliggende instruktioner at betjene el-værktøjet. El-værktøj er farligt i hænderne på uøvede brugere.

- **Vedligehold el-værktøj og tilbehør.** Kontroller for fejljustering eller bevægelige dele, der binder, dele med brud og ethvert andet forhold, som kan påvirke el-værktøjets funktion. Hvis beskadiget – få el-værktøjet repareret inden brug. *Mange ulykker skyldes dårligt vedligeholdt el-værktøj.*
- **Hold skærende værktøj skarpt og rent.** *Ordentligt vedligeholdt skærende værktøj med skarpe skær er mindre tilbøjeligt til at klemme og er lettere at styre.*
- **Brug el-værktøjet, tilbehør og værktøjsbits osv. i overensstemmelse med foreliggende instruktioner under hensyntagen til arbejdsforholdene og arbejdet, der skal udføres.** *Brug af el-værktøjet til andre anvendelser end tilsigtet vil kunne ende med en farlig situation.*
- **Hold håndtag og gribeblader tørre, rene og fri for olie og fedt.** *Glatte håndtag og gribeblader tillader ikke sikker håndtering og kontrol med værktøjet i uventede situationer.*

Brug og omhu med batteriværktøj

- **Genoplad kun med laderen specificeret af fabrikanten.** *En lader, der passer til en type batteri, kan skabe brandfare, når den bruges med et andet batteri.*
- **Brug kun el-værktøj med batterier særligt beregnet til værktøjet.** *Brug af andre batterier kan skabe risiko for personskade og brand.*
- **Når batterier ikke er i brug, skal de holdes væk fra andre metalgenstande som papirclips, mønter, nøgler, søm, skruer eller andre små metalgenstande, som kan skabe forbindelse fra en terminal til en anden.** *Kortslutning af batteriterminaler kan forårsage forbrændinger eller brand.*
- **Hvis batteriet misbruges, kan der sprøjte væske ud af batteriet; undgå kontakt med den.** *Sker det ved et tilfælde, så skyl med vand. Kommer væsken i kontakt med øjnene, så søg også lægehjælp. Væske fra batteriet kan give hudirritation eller forbrændinger.*
- **Brug ikke et batteri eller værktøj, der er beskadiget eller ændret på.** *Beskadigede eller modificerede batterier kan opføre sig uforudsigeligt og føre til brand, eksplosion eller risiko for personskade.*



Udsæt ikke et batteri eller værktøj for ild eller for høj temperatur. *Udsættelse for ild eller temperatur over 130 °C kan forårsage eksplosion.*

- **Følg alle instruktioner for opladning, og oplad ikke batteriet eller værktøjet uden for temperaturområdet specificeret i instruktionerne.** *Forkert opladning eller ved temperaturer uden for det specificerede område kan beskadige batteriet og forøge risikoen for brand.*

Service

- **Få dit el-værktøj eftersat af en kvalificeret reparatør, der kun bruger reservedele magen til de oprindelige.** *Det vil sikre, at el-værktøjets sikkerhed opretholdes.*
- **Reparer aldrig på beskadigede batterier.** *Reparation af batterier bør kun udføres af fabrikanten eller autoriserede reparatører.*

Sikkerhedsadvarsler til TrapMaster Pro

- **Leg aldrig med TrapMaster Pro.**
- **Brug kun TrapMaster Pro på permanente eller midlertidige skydebaner.** *Hele eller splintrede brugte lerduer må ikke efterlades på tilfældige områder, hvor folk eller dyr kan komme i kontakt med dem ved et tilfælde*



• **Foruden sikkerhedsbriller skal du altid bruge høreværn, hvis TrapMaster Pro bruges i nærheden af skytter.** *Sikkerhedsbrillerne skyldes farer fra TrapMaster Pro, og støjen fra skydningen kan skade din hørelse.*

• **Hold altid TrapMaster Pro i en strakt arm, der peger i retning af lerdue/lerduernes tilsigtede bane.** *Det vil sikre en klar angivelse af banen. En bøjet arm kan føre til, at lerdue/lerduerne forlader TrapMaster Pro i en usikker afstand for tæt på brugeren af TrapMaster Pro og personer i nærheden.*

- **Der skal være frit udsyn 40 grader til venstre og til højre for TrapMaster Pros sigteretning.** *Det vil sikre, at brugeren af TrapMaster Pro kan observere mennesker og dyr, som ved et uheld kommer ind på skydebanen, så brugeren kan lade være med at igangsætte et nyt skud.*
- **Prøv aldrig at stoppe lerdue/lerduerne med hånden eller ved at holde en blokerende genstand op foran TrapMaster Pro, når der har været tryk på affyringsknappen.** *Stop i stedet lerdue/lerduerne ved at afbryde på hovedafbryderen. Lerdue/lerduerne er skør(e) og vil splintre, hvis den rammer noget. Splinterne kan have skarpe kanter og være i stand til at skære.*
- **Før du trykker på affyringsknappen – sørg altid for, at sikkerhedsafstanden overholdes af personer i nærheden.** *Der kan være personer i området, hvor TrapMaster Pro anvendes, som ikke er opmærksom på farene.*
- **Brug kun lerduer fra fabrikanten af TrapMaster Pro eller som er i overensstemmelse med fabrikantens specifikation.** *Lerduer med en anden styrke, vægt, balance, fremdrift mv. kan skabe uforudsete farer.*

Sikkerhedsafstande

- **Ved affyring af en eller to lerduer, må der ikke opholde sig personer foran brugeren af TrapMaster Pro eller i et rektangulært område 2 m til venstre, 2 m til højre og 0,5 m bagved.** *Det er for at beskytte personer i nærheden mod små stykker fra lerdue/lerduerne, i tilfælde af at de(n) går i stykker under affyringen eller umiddelbart efter.*

Brugere

- **Voksne mennesker, der har læst og forstået brugsanvisningen og derved har opnået kendskab til TrapMaster Pros funktion og sikkerhedsforhold mv.. De skal være fysisk og psykisk velfungerende, ligesom de skal have normalt syn og hørelse evt. under anvendelse af briller/høreapparat.**
- **Unge mennesker i alderen 16 til 17 år, der skal være under opsyn af erfarne brugere og i øvrigt opfylde kravene til voksne brugere.** Denne aldersgruppe kan have varierende autoritet og manglende bevidsthed om risici.

2 Oversigt over produktet

2.1 Fabrikant

Nordic Clays ApS
Rolighedsvej 9, 1. TV,
DK-1958 - Frederiksberg C
Phone: +45 29 88 22 93
E-mail: info@nordicclays.com
www.nordicclays.com

2.2 TrapMaster Pro's betegnelse

Den fulde betegnelse er: TrapMaster Pro 1.0

2.3 Tilsigtet anvendelse

Maskinen er beregnet til, mens den holdes frem i strakt arm, at affyre cirkulære skiver af biobaseret materiale, som fungerer som lerdue og erstatter disse ved lerduekydning.

2.4 Anvendelser, der ikke er tilladt

TrapMaster Pro må kun bruges som tilsigtet. Brugeren må aldrig adskille TrapMaster Pro, dette vil annullere og ugyldiggøre din garanti.

2.5 Illustrerede komponenter

Nummeringen af de illustrerede komponenter, refererer til illustrationen af el-værktøjet på side 2.

- 1: Hovedafbryder (tænd/sluk)
- 2: LED kontrollampe for batteriniveau
 - a. Batteriniveauer:
 - i. Grøn = 33-100%
 - ii. Rød = 0-33%
- 3: Indbygget genopladeligt batteri (Li-Ion)
- 4: Beskyttelseshætte til opladerstik
- 5: Ladelampe (LED)
 - a. Rødt lys = oplader
 - b. Intet lys = fuldt opladt.
- 6: Trinvis styrkeregelning (trin 0 - 9)
 - a. 9 er det højeste
 - b. 0 er det laveste
- 7: Aksel
- 8: Blå knap til at låse lerdue/lerduerne til akslen.
 - a. Hvis klørerne er slået ud, kan knappen holdes nede for at de kører ind igen.
 - i. Hvis knappen holdes nede, vil den røde knap (9) ikke fungerer.
 - b. Man kan også genstarte maskinen, for at få klørerne ind.
- 9: Rød knap til at affyre lerdue/lerduerne
- 10: Håndtag
- 11: Lerdue
 - a. Kan lægges på akslen begge veje (7)

2.6 Funktionsbeskrivelse

TrapMaster Pro tændes på hovedafbryderen (1), en lerdue/lerduer (11) sættes på akslen (7), klørerne spændes om lerdue/lerduerne ved et tryk på den blå knap (8), lerdue/lerduerne affyres ved et tryk på den røde knap (9). Når lerdue/lerduernes rotations-

hastighed svarer til det indstillede trin på styrkereguleringen (6), skubbes akslen lidt frem samtidig med at fastholdelsen af lerdue/lerduerne ophører, hvorved den/de flyver ud af TrapMaster Pro og akslen nedbremses. Herefter er TrapMaster Pro klar til, at der sættes ny(e) lerdue/lerduer på akslen, og at processen gentages.

2.7 Tekniske specifikationer

2.7.1 Vægt

2,0 kg.

2.7.2 Elektrisk effektforsyning

Forsyningsspænding: 15 V d.c.

Maksimal ladestrøm: 1,2 A

Anbefalet batterioplader: TDX-1501200

2.8 Emission, støj

Det A-vægtede lydtrykniveau, L_{pA} , fra TrapMaster Pro overstiger ikke 70 dB(A).

2.9 Betjenings- og opbevaringsforhold.

Udendørs med god sigtbarhed på permanente og midlertidige skydebaner til lerdueskydning.

Miljø	
Tilladt temperaturområde for omgivelserne under betjening og opbevaring.	-10 to +40 °C
Anbefalet temperaturområde for omgivelserne ved langtidsopbevaring (over 3 måneder).	20 ±5 °C
Anbefalet temperaturområde for omgivelserne under opladning.	0 to +35 °C
Tilladt relativ luftfugtighed (Ikke kondenserende).	Min. 20 % Max. 90 %
Anbefalet relativ luftfugtighed ved langtidsopbevaring (over 3 måneder).	65 ±20 %
EMC-miljø.	B, (Bolognråder, let industri eller områder, der kan sidestilles hermed)

2.10 Maskinens tilsigtede levetid

TrapMaster Pro forventes at fungere i 5 år. Efter 5 år skal TrapMaster Pro serviceres ved producenten.

3 Opladning

Brug kun batteriopladeren nævnt i afsnittet "Elektrisk effektforsyning" eller en med identiske specifikationer.

Hvis LED kontrollampen (2) ikke viser noget lys, når TrapMaster Pro tændes, så har batteriet behov for at blive genopladet. Hvis lyset er rødt, så betyder det at batteriniveauet er under 33 %. Lyset skal enten være grønt, gult eller rødt, for at TrapMaster Pro er klar og funktionsdygtig.

Genopladning af TrapMaster Pro:

- Fjern beskyttelseshætten fra stikket til batteriopladeren (4).
- Sæt opladerens lille runde stik ind i stikket.
- Forbind opladerens andet kontaktskik med lysnettet.
- Kontroller at lade LED'en (5) lyser op og dermed viser, at opladningen er i gang.
- Lad opladningen fortsætte indtil lade LED'en slukker og dermed viser, at opladningen er færdig.
- Tag opladerens stik ud af lysnetkontakten og derefter af TrapMaster Pro.
- Sæt beskyttelseshætten tilbage ind i stikket til batteriopladeren (4).

TrapMaster Pro skal altid være slukket, når der oplades.

Undgå under opladning at tildække batterioplader eller TrapMaster Pros batteridel under håndtaget, sørg derimod for god ventilation.

4 Betjening

Betjening af TrapMaster Pro skal foregå i overensstemmelse med den tilsigtede anvendelse. Se afsnit "Tilsigtet anvendelse".

4.1 Risici og farer

Alle brugere skal have gennemgået alle sikkerhedsaspekter beskrevet i afsnittet "Sikkerhed", før de betjener TrapMaster Pro første gang.

4.2 Betjeningsanordninger

TrapMaster Pro er manuelt styret med hovedafbryder (1), trinvis styrkeregulering (6), blå knap til at låse lerdue/lerduerne til akslen (8) og rød knap til affyring af lerdue/lerduerne (9). Numrene henviser til afsnittet "Produkt detaljer".

4.3 Betjeningstilstande

- Manuel betjening: Brugeren lægger lerdue/lerduerne (11) på akslen (7), dernæst ved at trykke en gang på den blå knap (8) låses den/de fast på akslen. Dernæst affyres den/de ved et tryk på den røde knap (9). Det gentages. Numrene henviser til afsnittet 2.6 "Produkt detaljer".
- Genopladning: Brugeren genoplader det indbyggede batteri ved at bruge den vedlagte batterioplader.

4.4 Start

Hver gang du skal bruge TrapMaster Pro efter den har været lagt til side, selv for en kort stund – skal du teste at hovedafbryderen virker som "nødstop". For at teste dette se afsnit 5 "Inspektion og afprøvning af TrapMaster Pro".

Inden brug af TrapMaster Pro skal brugeren sikre sig at:

- Der er ordentligt fodfæste.
- Der er frit udsyn 40 grader til venstre og til højre for TrapMaster Pros sigteretning.
- Ingen personer befinder sig inde i de farlige områder.

4.5 Påsætning og affyring af lerdue/lerduer

- Tag en eller to lerdue (11).
- Kontroller at lerdue/lerduerne er hel(e) og ubeskadiget. Hvis ikke, så kasser den og tag en anden.
- Tænd for TrapMaster Pro på hovedafbryderen (1).
- Vent indtil kontrollampen (2) tænder og har afspillet dens opstarts melodi.
 - Den slutter med tre hurtige bip og et langt.
- Imens du holder TrapMaster Pro, skal du vippe den 90 ° bagud, således at akslen (7) peger mod himlen og er vandret.
- Sæt lerdue/lerduerne på akslen (7), så den/de hviler på stoppet.
- Tryk på den blå knap for at låse lerdue/lerduerne fast til akslen (8).
 - Skulle du ved en fejl trykke på knappen, før du har låst duen/duerne. Så hold knappen inde, for at trække klørerne ind, indtil du har lagt duerne på akslen.
- Bemærk den korte og svage lyd, og at lerdue/lerduerne er blevet fastlåst til akslen.
- Kontroller igen fodfæstet og at ingen personer befinder sig inde i de farlige områder.

- Tryk på den røde knap (9), lerdue/lerduerne begynder at accelerere for at forlade TrapMaster Pro 2-3 sekunder senere.
- Når akslens rotation er stoppet, er TrapMaster Pro klar til ny(e) lerdue/lerduer, og du kan gentage proceduren eller slukke på hovedafbryderen (1).

4.6 Nødsituationer

Der kan forekomme farlige situationer under brug, hvor det vil være påkrævet at foretage en øjeblikkelig standsning af TrapMaster Pro. Hvis der opstår en sådan situation, afbryd på hovedafbryderen (1).

Følgende situationer kan kræve nødstop af TrapMaster Pro:

- En faretruende eller farlig situation.
- Pludseligt opståede ukendte forhold fx unormale lyde (rumlen, banken, væsen), vibrationer eller varme. I så fald skal brugeren undersøge TrapMaster Pro for fejl og mangler inden en ny start.

4.7 Bortskaffelse af affald i forbindelse med brugen

Efter at have skudt en eller flere lerdue/lerduer afsted, skal du altid sikre dig, at du tager dit affald, emballage og lignende med dig igen, så du efterlader naturen, som da du ankom.

4.8 Transport

Benyt altid beskyttelsesufferten, som TrapMaster Pro blev leveret i, når du transporterer eller opbevarer den.

Det indbyggede Li-Ion-batteri er underlagt kravene i lovgivningen om farligt gods. Batteriet kan transporteres på vej af brugeren uden yderligere begrænsninger.

Ved forsendelse med tredjemand (f.eks.: med lufttransport eller pakkepost) skal særlige krav til emballering og mærkning overholdes. Ved forberedelse af varen til forsendelse, rådfør dig med virksomheden, du har til hensigt at bruge. Vær opmærksom på muligheden for mere detaljerede nationale regler.

5 Vedligeholdelse og service

Der er ingen dele, der kan udskiftes af brugeren.

Inspektion og afprøvning af TrapMaster ProKomponent/maskindel:	Hyppeghed:	Hvordan:	Accept/ikke-accept:	Handling:	I/A/M <small>I = Inspektion, A = Afprøvning, M = Mærkning</small>
Sikkerhedsrelevant inspektion and afprøvning:					
Hovedafbryderen brugt som nødstop.	Hver gang TrapMaster Pro har været lagt til side, selv for en kort stund og mindst 1 gang årligt.	Følg instruktionen i afsnit "Påsætning og affyring af lerdue/lerduer", men uden en lerdue/lerdue. Højest 1 sekund efter motoren starter afbryd på hovedafbryderen.	Motoren skal stoppe øjeblikkeligt.	Ved svigt eller fejl skal TrapMaster Pro repareres, hvorefter funktionen skal afprøves på ny.	I/A

6 Rengøring

Hold altid TrapMaster Proen ren. Efter endt brug af TrapMaster Pro skal du rengøre den. Benyt en våd klud med mild sæbe. Undlad at gøre TrapMaster Proen drivvåd. Tør TrapMaster Proen af efter rengøring. Placer TrapMaster Pro et tørt og sikkert sted. TrapMaster Pro må ikke opbevares et fugtigt sted i længere tid.

7 Fejlfinding

7.1 Fejlfinding og generel fejlidentificering

Når uregelmæssigheder registreres under brug af maskinen, skal en undersøgelse foretages hurtigst muligt. Ved hurtig indgriben og rettelser af uregelmæssighederne kan en farlig situation for evt. personer forhindres, og unødigt slid og belastning af TrapMaster Pro undgås. Hvis TrapMaster Pro ikke er funktionsdygtig efter at være blevet genstartet et par gange, skal den sendes til vores fremstillingsadresse.

Ved gentagende fejl grundet ukendt fejl, foretages en overordnet gennemgang af maskinen. Hvis fejlene fortsætter, skal du tage kontakt til producenten på telefon eller mail og beskrive dine udfordringer.

8 Bortskaffelse

Elektrisk og elektronisk udstyr samt medfølgende batterier indeholder materialer, komponenter og stoffer, der kan være skadelige for menneskers sundhed og for miljøet, hvis affaldet ikke håndteres korrekt.

Elektrisk og elektronisk udstyr og batterier er mærket med vedstående overkrydsede skrædespand. Den viser, at elektrisk og elektronisk udstyr og batterier ikke må bortskaffes sammen med usorteret husholdningsaffald, men skal indsamles særskilt.

Som slutbruger er det vigtigt, at du afleverer dine udtjente batterier til de ordninger, der er etableret. På denne måde er du med til at sikre, at batterierne genanvendes i overensstemmelse med lovgivningen og ikke unødigt belaster miljøet.

Alle kommuner har etableret indsamlingsordninger, hvor kasseret elektrisk og elektronisk udstyr samt bærbare batterier gratis kan afleveres af borgerne på genbrugsstationer og andre indsamlingssteder eller blive afhentet direkte fra husholdningerne. Nærmere information kan fås hos kommunens tekniske forvaltning.



Indbygget batteri: Det indbyggede batteri er af typen Li-Ion. Skil ikke produktet ad ved bortskaffelse. Dette kræver særlig viden at gøre på en sikker måde.

9 Kopi af EF-/EU-overensstemmelseserklæringen

EF-/EU-overensstemmelseserklæring 2006/42/EF bilag II A

Fabrikant og samler af det tekniske dossier

Navn: Nordic Clays ApS
Adresse: Rolighedsvej 9, 1. TV
Postnr. og by: DK-1958 Frederiksberg C

Erklærer hermed at maskine type:

- TrapMaster Pro

Er fremstillet i overensstemmelse med følgende EF-/EU- direktiver:

- 2006/42/EF Maskindirektivet
- 2014/30/EU EMC-direktivet

Friis Arne Petersen

Friis Arne Petersen

CEO

Stilling

København K

Sted

14-06-2022

Dato

Uppmärksamhet!

Läs alla säkerhetsvarningar, instruktioner, illustrationer och specifikationer som följer med lerduvekastaren TrapMaster Pro. Följ dem noggrant och förvara dem tillsammans med TrapMaster Pro för framtida referens.

1 Säkerhet

VARNING Läs alla säkerhetsvarningar, anvisningar, illustrationer och specifikationer som medföljer detta elverktyget. Om du inte följer alla instruktioner nedan kan det leda till elstöt, brand och/eller allvarlig kroppsskada.

Spara alla varningar och anvisningar för framtida referens.

Termen "elverktyg" i varningarna avser ditt nätdrivna (sladdanslutna) elverktyg eller batteridrivna (sladdlösa) elverktyg.

Säkerheten på arbetsområdet

- Håll arbetsområdet rent och väl upplyst. Röriga eller mörka områden inbjuder till olyckor.
- Använd inte elverktyg i explosiva miljöer, t.ex. i närvaro av brandfarliga vätskor, gaser eller damm. Elverktyg kan skapa gnistor som kan antända damm eller ångor.
- Håll barn och åskådare borta när du använder ett elverktyg. Distractioner kan leda till att du tappar kontrollen.

Elektrisk säkerhet

- Kontakterna till elverktyg måste passa till uttaget. Ändra aldrig kontakten på något sätt. Använd inte adapterkontakter med jordade elverktyg. Oförändrade kontakter och matchande uttag minskar risken för elektriska stötar.
- Undvik kroppskontakt med jordade ytor, t.ex. rör, radiatorer, spisar och kylskåp. Det finns en ökad risk för elektriska stötar om din kropp är jordad.
- Utsätt inte elverktyg för regn eller våta förhållanden. Vatten som tränger in i ett elverktyg ökar risken för elektriska stötar.
- Missbruka inte sladden. Använd aldrig sladden för att bära, dra eller koppla ur elverktyget. Håll sladden borta från värme, olja, vassa kanter och rörliga delar. Skadade eller trassliga sladdar ökar risken för elektriska stötar.
- När du använder ett elverktyg utomhus ska du använda en förlängningssladd som är lämplig för utomhusbruk. Användning av en sladd som är lämplig för utomhusbruk minskar risken för elektriska stötar.
- Om det är oundvikligt att använda ett elverktyg på en fuktig plats ska du använda en jordfelsbrytare (RCD) som är skyddad. Användning av en RCD minskar risken för elektriska stötar.

Personlig säkerhet

- Var uppmärksam, se vad du gör och använd sunt förnuft när du använder ett elverktyg. Använd inte ett elverktyg när du är trött eller påverkad av droger, alkohol eller mediciner. Ett ögonblick av uppmärksamhet när du använder elverktyg kan leda till allvarliga personskador.
- Använd personlig skyddsutrustning. Bär alltid ögonskydd. Skyddsutrustning som dammask, halkfria säkerhetsskor, hjälm eller hörselskydd som används under lämpliga förhållanden minskar antalet personskador.
- Förhindra oavsiktlig start. Se till att strömbrytaren är i avstängt läge innan du ansluter till strömkällan och/eller batteripaketet, plockar upp eller bär verktyget. Att bära elverktyg med fingret på strömbrytaren eller att sätta ström på elverktyg som har strömbrytaren på bjuder in till olyckor.
- Ta bort eventuella justeringsnycklar eller skiftnycklar innan du sätter igång elverktyget. En nyckel som sitter fast på en rotande del av elverktyget kan leda till personskador.
- Gå inte för långt. Håll alltid rätt fotfäste och balans. Detta ger bättre kontroll över elverktyget i oväntade situationer.
- Bär lämplig klädsel. Bär inga lösa kläder eller smycken. Håll hår och kläder borta från rörliga delar. Lösa kläder, smycken eller långt hår kan fastna i rörliga delar.
- Om det finns anordningar för anslutning av dammsugnings- och uppsamlingsanordningar, se till att dessa är anslutna och används på rätt sätt. Användning av dammuppsamling kan minska dammrelaterade risker.
- Låt inte den förtrogenhet du fått genom att ofta använda verktygen göra dig självgod och ignorera principerna för verktygssäkerheten. En vårdslös handling kan orsaka allvarlig skada inom en bråkdel av en sekund.

Användning och skötsel av elverktyg

- Tvinga inte elverktyget. Använd rätt elverktyg för din tillämpning. Rätt elverktyg utför jobbet bättre och säkrare i den takt som det är konstruerat för.
- Använd inte elverktyget om strömbrytaren inte slår på och stänger av det. Alla elverktyg som inte kan kontrolleras med strömbrytaren är farliga och måste repareras.
- Koppla ur kontakten från strömkällan och/eller ta bort batteripaketet, om det är löstagbart, från elverktyget innan du gör några justeringar, byter tillbehör eller förvarar elverktyget. Sådana förebyggande säkerhetsåtgärder minskar risken för att elverktyget startas oavsiktligt.
- Förvara oanvända elverktyg utom räckhåll för barn och låt inte personer som inte känner till elverktyget eller dessa anvisningar använda elverktyget. Elverktyg är farliga om de används av ovana användare.

- **Underhåll av elverktyg och tillbehör.** Kontrollera att rörliga delar inte är feljusterade eller bundna, att delar inte går sönder eller att något annat förhållande kan påverka elverktygets funktion. Om det är skadat ska du låta reparera elverktyget innan det används. *Många olyckor orsakas av dåligt underhållna elverktyg.*
- **Håll skärverktyg vassa och rena.** *Skärverktyg som underhålls på rätt sätt och som har vassa egg är mindre benägna att fastna och är lättare att kontrollera.*
- **Använd elverktyget, tillbehör och verktygsdelar etc. i enlighet med dessa anvisningar, med hänsyn till arbetsförhållandena och det arbete som ska utföras.** *Användning av elverktyget för andra ändamål än de avsedda kan leda till en farlig situation.*
- **Håll handtag och greppytor torra, rena och fria från olja och fett.** *Hala handtag och greppytor gör det inte möjligt att hantera och kontrollera verktyget på ett säkert sätt i oväntade situationer.*

Användning och skötsel av batteriverktyg

- **Ladda endast med den laddare som anges av tillverkaren.** *En laddare som är lämplig för en typ av batteripaket kan skapa en brandrisk när den används med ett annat batteripaket.*
- **Använd elverktyg endast med särskilt avsedda batteripaket.** *Användning av andra batteripaket kan skapa risk för skador och brand.*
- **När batteripaketet inte används ska du hålla det borta från andra metallföremål, som gem, mynt, nycklar, spikar, skruvar eller andra små metallföremål som kan göra en anslutning från en terminal till en annan.** *Om du kortsluter batteripolerna kan det leda till brännskador eller brand.*
- **Under svåra förhållanden kan vätska komma ut från batteriet, undvik kontakt.** *Om kontakt sker oavsiktligt, spola med vatten.* *Om vätskan kommer i kontakt med ögonen, sök dessutom läkarhjälp.* *Vätska som sprutas ut från batteriet kan orsaka irritation eller brännskador.*
- **Använd inte ett batteripaket eller verktyg som är skadat eller modifierat.** *Skadade eller modifierade batterier kan uppvisa oförutsägbart beteende, vilket kan leda till brand, explosion eller risk för skada.*



Utsätt inte batteripaketet eller verktyget för eld eller för hög temperatur. *Exponering för eld eller temperatur över 130°C kan orsaka explosion.*

- **Följ alla laddningsinstruktioner och ladda inte batteripaketet eller verktyget utanför det temperaturområde som anges i anvisningarna.** *Vid felaktig laddning eller vid temperaturer utanför det angivna intervallet kan batteriet skadas och risken för brand öka.*

Service

- **Låt en kvalificerad reparatör utföra service på elverktyget genom att endast använda identiska reservdelar.** *På så sätt kan du garantera att elverktygets säkerhet upprätthålls.*
- **Utför aldrig service på skadade batteripaket.** *Service av batteripaket får endast utföras av tillverkaren eller auktoriserade serviceföretag.*

TrapMaster Pro säkerhetsvarningar

- **Lek aldrig med TrapMaster Pro. Sikta aldrig mot en annan person eller mot djur.** *Använd endast TrapMaster Pro utomhus och i öppna utrymmen. Skjut alltid upp i luften.*
- **Använd endast TrapMaster Pro på permanenta eller tillfälliga skjutbanor.** *Begagnade lerduvor, vare sig de är helt intakta eller i bitar, får inte lämnas på privata eller offentliga platser, där människor, barn, djur eller boskap kan komma i kontakt med dem av en slump.*



Förutom ögonskydd ska du alltid använda hörselskydd när TrapMaster Pro används i närheten av skyttar. *Ogonskydd är viktigt på grund av riskerna från TrapMaster Pro och bullret från skytten kan skada din hörsel.*

- **Håll alltid TrapMaster Pro ordentligt och med rak arm som pekar i riktning mot lerduvans avsedda bana.** *Detta kommer att ge en tydlig indikation på banan. En böjd arm kan leda till att lerduvan lämnar TrapMaster Pro på ett osäkert avstånd, för nära användaren av TrapMaster Pro och personer i närheten.*

Sikta aldrig på, rikta eller skjut aldrig mot personer eller levande djur. Skjut alltid upp i luften. *Det är obligatoriskt med en fri sikt på 40 grader till vänster och till höger om siktriktningen för TrapMaster Pro. Detta garanterar att TrapMaster Pro-användaren kan observera människor, djur och boskap som av misstag kan komma till skjutområdet och därmed inte påbörja ett nytt skott.*

- **Försök aldrig att stoppa den roterande lerduvan för hand eller genom att hålla ett föremål framför TrapMaster Pro när den röda avfyrningsknappen har tryckts in.** *Stoppa i stället lerduvan genom att stänga av TrapMaster Pro med hjälp av dess strömbrytare. Lerduvan är ömtålig och kommer att splittras om den träffar något. Splittret kan ha skarpa kanter och kan orsaka skador.*
- **Innan du trycker på den röda avfyrningsknappen ska du alltid se till att ingen står i vägen och att säkerhetsavstånden hålls av alla i närheten.** *Se till att alla är medvetna om personen skjutet med TrapMaster Pro.*
- **Använd endast originalmål av lera från tillverkaren av TrapMaster Pro, Nordic Clays.** *Andra lerduvor med olika styrka, vikt, balans, framdrivningseffekt etc. kan skapa oförutsedda faror och förstöra TrapMaster Pro.*

Säkerhetsavstånd

- När en lerduva skjuts får ingen person, djur eller boskap befinna sig framför användaren av TrapMaster Pro på ett avstånd av 120 meter eller inom ett rektangulärt område 2,0 m till vänster, 2,0 m till höger och 1,0 m bakom. Detta är för att skydda människor i närheten mot splitter från leran om den går sönder när den skjuts upp eller omedelbart efteråt.

Användare

- Vuxna som har läst och förstått bruksanvisningen och därmed fått kunskap om TrapMaster Pros funktion samt säkerhetsanvisningar etc. måste vara välfungerande fysiskt och psykiskt samt ha normal syn och hörsel, eventuellt med hjälp av glasögon/hörselhjälpmedel.
- Endast personer över 16 år får använda TrapMaster Pro. Ungdomar i åldern 16-17 år måste hållas under uppsikt av erfarna användare och dessutom uppfylla kraven för vuxna användare. *Åldersgruppen 16-17 år kan ha blandad mognad och låg medvetenhet om risker.*

2 Produktöversikt

2.1 Tillverkare

Nordic Clays ApS
Rolighedsvej 9, 1. TV,
DK-1958 Frederiksberg C
Telefon: +45 29 88 22 93
E-post: info@nordicclays.com
www.nordicclays.com

2.2 Beteckning för lerduvekastaren

Den fullständiga beteckningen: TrapMaster Pro 1.0

2.3 Avsedd användning

Maskinen är avsedd att hållas framåt i en rak arm för att avfyra cirkulära skivor av biobaserat material, som fungerar som lermål för lerduveskytte.

2.4 Otillåtna tillämpningar

TrapMaster Pro får endast användas på avsett sätt. Användaren får aldrig demontera TrapMaster Pro, eftersom detta upphäver och ogiltigförklarar garantin.

2.5 Illustrerade komponenter

Numreringen av de illustrerade komponenterna avser illustrationen av elverktyget på sidan 2.

- 1: Strömbrytare (På/Av)
- 2: LED-indikator för batterinivåer
 - a. Batterinivåer:
 - i. Grön = 33-100 %
 - ii. Röd = 0-33 %
- 3: Integrerat uppladdningsbart batteri (Li-Ion)
- 4: Uttag för batteriladdare
- 5: LED-lampa för laddning
 - a. Rött sken = laddning
 - b. Inget sken = fulladdad.
- 6: Stegvis effektregulator (steg 0 - 9)
 - a. 9 är den högsta hastigheten
 - b. 0 är den lägsta hastigheten
- 7: Axel
- 8: Blå laddningsknapp för att låsa lerduvan på axeln
 - a. Om klorna är utdragna, kan knappen hållas ned för att driva in dem igen.
 - i. När knappen hålls nedtryckt fungerar inte den röda knappen (9).
 - b. Du kan även starta om maskinen för att driva in klorna igen.
- 9: Röd avfyringsknapp för att avfyra lerduvorna
- 10: Grepp

2.6 TrapMaster Pros funktion

TrapMaster Pro slås på med strömbrytaren (1), lerduvan (11) monteras på axeln (7), de tre "klorna" aktiveras med den blå laddningsknappen (8), avfyrning och acceleration av lerduvan aktiveras med den röda avfyrningsknappen (9). När lerduvans rotations-hastighet motsvarar inställningen av den stegvisa effekregulatorn (6) rör sig axeln en bit framåt samtidigt som klorna dras in och lerduvan flyger ut ur TrapMaster Pro och axelns rotation stannar kort därefter. När axeln slutar snurra är TrapMaster Pro redo för en upprepning av processen.

2.7 Tekniska specifikationer

2.7.1 Vikt

2,0 kg.

2.7.2 Elektrisk strömförsörjning

Nominell spänning:	15 V DC
Max laddningsström:	1,2 A
Rekommenderad laddare:	TDX-1501200

2.8 Utsläpp, buller

Den A-vägda ljudtrycksnivån, LpA, som TrapMaster Pro producerar får inte överstiga 70 dB (A).

2.9 Drifts- och förvaringsförhållanden

Utomhus med god synlighet på permanenta eller tillfälliga skjutbanor för lerduvor.

Miljö	
Tillåten omgivningstemperatur under drift och förvaring.	-10 till +40 °C
Rekommenderad omgivningstemperatur för långtidsförvaring (över 3 månader).	20 ±5 °C
Rekommenderad omgivningstemperatur under laddning.	0 till +35 °C
Tillåten relativ luftfuktighet (icke-kondenserande)	Min. 20 % Max. 90 %
Rekommenderad relativ luftfuktighet vid långvarig förvaring (över 3 månader).	65 ±20 %
EMC-miljö	B, (bostadsfastigheter, småindustriområden eller jämförbara områden)

2.10 Maskinens beräknade livslängd

TrapMaster Pro förväntas fungera i 5 år. Efter 5 år måste TrapMaster Pro servas eller renoveras vid en översyn av tillverkaren.

3 Laddning

Använd endast den laddare som anges i avsnittet "Elektrisk strömförsörjning" eller en laddare med identiska specifikationer.

Om indikatorlampan (2) inte lyser alls när TrapMaster Pro är påslagen, då är batteriet tomt och måste laddas. När lampan är röd är batteriets kapacitet lägre än 33 %. LED-lampan måste vara antingen grön, gul eller röd för att TrapMaster Pro ska vara redo och fungera.

För att ladda TrapMaster Pro:

- Avlägsna skyddsuttaget (4)
- Anslut den lilla kontakten till laddaren
- Anslut laddaren till vägguttaget
- Kontrollera att den röda laddningsindikatorn (5) lyser, vilket indikerar att den laddas
- Låt laddningen fortsätta tills laddningsindikatorn slocknar, vilket indikerar att laddningen är klar.
- Koppla ur laddaren från vägguttaget och sedan från TrapMaster Pro
- Sätt tillbaka skyddsuttaget i kontakten (4)

TrapMaster Pro ska alltid vara avstängd när den laddas.

Under laddningen bör du undvika att täcka batteriladdaren eller batteridelen av TrapMaster Pro under handtaget och se till att ventilationen är god.

4 Användning

Maskinen måste användas i enlighet med vad den är avsedd för. Se avsnitt 2.4 Avsedd användning.

4.1 Risker och faror

Alla användare måste ha gått igenom alla säkerhetsaspekter som beskrivs i avsnitt 1 Säkerhet innan de använder maskinen för första gången.

4.2 Kontroller

TrapMaster Pro styrs manuellt med strömbrytaren (1), den stegvisa effektregulatorn (6), den blå laddningsknappen för att låsa lerduvor (8) och den röda avfyrningsknappen (9). Siffrorna hänvisar till avsnitt 2.6 TrapMaster Pro-funktioner.

4.3 Driftslägen

- Manuell drift: Användaren sätter fast lerduvan på axeln (7) genom att aktivera den blå laddningsknappen (8) och skjuter den genom att trycka på den röda avfyrningsknappen (9). Detta görs upprepade gånger. Siffrorna hänvisar till avsnitt 2.6 TrapMaster Pro-funktioner.
- Laddning: Användaren laddar det integrerade uppladdningsbara batteriet med hjälp av den medföljande batteriladdaren.

4.4 Start

Varje gång du börjar använda TrapMaster Pro efter att den har legat åt sidan ens för en kort stund måste du kontrollera om strömbrytaren kan användas som nödstopp. Hur du gör det, se avsnitt 5 "Inspektion och testning av TrapMaster Pro".

Innan TrapMaster Pro används måste användaren också se till att:

- Det finns ett bra underlag
- Det finns en fri sikt på 40 grader till vänster och höger om riktningen
- Det finns inga personer som befinner sig inom de ovannämnda vinklarna.

4.5 Montering och avfyrning av en lerduva

- Ta en ny lerduva (11).
- Kontrollera att lerduvan är oskadad och intakt, om inte, kasta den och ta en ny.
- Slå på TrapMaster Pro med strömbrytaren (1).
- Vänta tills indikatorlampan (2) tänds och startljudet hörs.
 - Tre snabba pip ljud och ett långt.
- Medan du håller TrapMaster Pro i handen, luta TrapMaster Pro 90° bakåt, så att axeln (7) pekar mot himlen och är horisontell.
- Placera lerduvan på axeln (7) så att lerduvan vilar på stoppet.
- Tryck på den blå laddningsknappen (8) för att låsa fast lerduvan/lerduvorna på axeln.

- Om du av misstag skulle trycka på knappen innan du placerar lerduvan/lerduvorna. Tryck sedan på knappen och håll den intryckt tills du har placerat lerduvan/lerduvorna på axeln.
- Lägg märke till den korta lilla ljudsignalen och att lerduvan/lerduvorna är låsta på axeln.
- Kontrollera återigen underlaget och att inga personer befinner sig inom riskområdet.
- Tryck på den röda avfyringsknappen (9), lerduvan börjar accelerera och lämnar TrapMaster Pro 2-3 sekunder senare.
- När axelns rotation har upphört är TrapMaster Pro redo för en ny lerduva och du kan upprepa proceduren eller stänga av den med strömbrytaren (1).

4.6 Nödsituationer

Farliga situationer kan uppstå under användning där det är nödvändigt att omedelbart stoppa TrapMaster Pro. Om en sådan situation uppstår, stäng av den med strömbrytaren (1).

Följande situation kan kräva nödstopp av TrapMaster Pro:

- En farlig situation
- Plötsliga okända förhållanden, t.ex. onormala ljud (buller, knackande, fräsande), vibrationer eller värme. I det här fallet måste användaren kontrollera TrapMaster Pro för fel och brister innan den sätts på igen.

4.7 Bortskaffande av skräp efter användning

När du har skjutit en eller flera leror ska du alltid ta med dig dina sopor, så att du lämnar naturen som du kom.

4.8 Transport

Använd alltid den väska som levereras med TrapMaster Pro när du transporterar eller förvarar TrapMaster Pro. Det integrerade Li-Ion-batteriet omfattas av kraven i lagstiftningen om farligt gods. Batteriet är lämpligt för vägtransport av användaren utan ytterligare begränsningar.

Vid transport via tredje part (t.ex. flygtransport eller paketpost) måste särskilda krav på förpackning och märkning iakttas. För bedring av produkten du rådgör med det företag som du tänker använda. Var medveten om att det kan finnas mer detaljerade nationella bestämmelser.

5 Underhåll och service

Det finns inga delar som kan bytas ut av användaren.

Inspektion och testning av TrapMaster Pro

Komponent/ maskindel:	Frekvens:	Hur (metod):	Acceptans/ icke-acceptans:	Åtgärd:	I/T/M I = Inspektion T = Testning M = Mätning
Säkerhetsrelevanta inspektioner och provningar:					
Strömbrytaren för användning som nödstopp.	Varje gång TrapMaster Pro lagts åt sidan även för en kortare tid och minst en gång om året.	Följ instruktionerna i avsnittet "Montering och avfyrning av en lerduva", men utan en lerduva. Inom 1 sekund efter att motorn startat stänger du av maskinen med strömbrytaren.	Motorn måste omedelbart stanna.	Om ett fel uppstår måste TrapMaster Pro repareras, varefter funktionen måste testas på nytt.	I/T

6 Rengöring

Håll TrapMaster Pro ren. Stäng av TrapMaster Pro efter användning och rengör TrapMaster Pro ordentligt från damm och smuts. Använd en våt trasa med lite mildt rengöringsmedel. Blötlägg inte TrapMaster Pro i vatten. Torka TrapMaster Pro försiktigt efter rengöring. Efter rengöring ska TrapMaster Pro förvaras i en torr och säker miljö. TrapMaster Pro får inte förvaras i ett fuktigt utrymme under en längre tid.

7 Felsökning

7.1 Felsökning och allmän felidentifiering

När oegentligheter upptäcks under maskinens drift ska en undersökning göras så snart som möjligt. Genom att snabbt ingripa och korrigerar oegentligheterna kan en farlig situation förhindras och onödigt slitage och onödig belastning på maskinen undvikas. Om TrapMaster Pro inte börjar fungera ordentligt efter att ha stängts av och startats om några gånger, måste maskinen skickas till vår tillverkningsadress.

Vid upprepade fel som beror på ett okänt fel ska en full inspektion av maskinen utföras. Om problemen kvarstår, kontakta tillverkaren per telefon eller e-post och ange dina problem.

8 Bortskaffande

Produkten omfattas av direktiv 2012/19/EU om avfall från elektrisk och elektronisk utrustning (WEEE) och 2006/66/EG om batterier och ackumulatörer samt förbrukade batterier och ackumulatörer.

Symbolen visar att denna produkt inklusive batteriet inte får kastas tillsammans med annat hushållsavfall. Batterier, elektrisk och elektronisk utrustning innehåller ämnen som kan skada människors hälsa och miljön om de inte återvinns på rätt sätt. Det är ditt ansvar att lämna in produkten till en lokal utsedd WEEE-insamlingsplats för återvinning. Genom att lämna in produkterna för korrekt återvinning bidrar du till att förhindra att dessa produkter belastar naturen och miljön i onödan och till att skydda människors hälsa. För mer information kan du kontakta ditt lokala stadskontor eller din avfallshanteringstjänst för hushållsavfall.



Integrerat batteri: Det inbyggda batteriet är av Li-Ion-typ. Ta inte isär produkten för bortskaffande. Detta kräver särskild kunskap för att kunna utföras på ett säkert sätt.

9 Kopia av EG-försäkran om överensstämmelse

EG-försäkran om överensstämmelse 2006/42/EF tillägg II A

Tillverkare och sammanställare av den tekniska filen:

Namn: Nordic Clays ApS
Adress: Rolighedsvvej 9, 1. TV
Postnummer och stad: DK-1958 Frederiksberg C

Härmed förklaras att maskinen av typen:

- TrapMaster Pro

Tillverkas i enlighet med följande gemenskapsdirektiv:

- 2006/42/EF Maskindirektiv
- 2014/30/EU EMC-direktiv


Friis Arne Petersen

CEO
Identitet

Köpenhamn K
Plats

14-06-2022
Datum

Obs!

Les alle sikkerhetsadvarsler, instruksjoner, illustrasjoner og spesifikasjoner som følger med leirduekasteren, TrapMaster Pro. Følg dem nøye og oppbevar dem sammen med TrapMaster Pro for fremtidig referanse.

1 Sikkerhet

ADVARSEL Les alle sikkerhetsadvarsler, instruksjoner, illustrasjoner og spesifikasjoner som medfølger dette elektroverktøyet.

Unnlatelse av å følge alle instruksene nedenfor kan føre til elektrisk støt, brann og/eller alvorlig personskade.

Alle advarsler og instruksjoner bør lagres for fremtidig referanse.

Begrepet «elektroverktøy» i advarslene refererer til nettdrevne elektroverktøy (med ledning) eller batteridrevne elektroverktøy (trådløse).

Sikkerhet på arbeidsområdet

- **Hold arbeidsområdet rent og godt opplyst.** *Rotete og mørke områder er en invitasjon til ulykker.*
- **Ikke bruk elektroverktøy i eksplosive atmosfærer, for eksempel i nærvær av brennbare væsker, gasser eller støv.** *Elektroverktøy lager gnister som kan antenne støv eller røyk.*
- **Hold barn og tilskuere unna mens du bruker et elektroverktøy.** *Distraksjoner kan føre til at du mister kontrollen.*

Elektrisk sikkerhet

- **Elektroverktøy-støpselet må passe til stikkkontakten.** *Støpselet må ikke på noen måte modifiseres. Ikke bruk adaptere med jordet elektroverktøy. Ikke-modifiserte støpsler og samsvarende stikkontakter vil redusere risikoen for elektrisk støt.*
- **Unngå kroppskontakt med jordede overflater, som rør, radiatorer, komfyrer og kjøleskap.** *Det er en økt risiko for elektrisk støt dersom kroppen din er jordet.*
- **Ikke utsett elektroverktøy for regn eller våte forhold.** *Vann som trenger inn i et elektroverktøy vil øke risikoen for elektrisk støt.*
- **Ikke misbruk ledningen.** *Bruk aldri ledningen til å bære, trekke eller koble elektroverktøyet fra stikkkontakten. Hold ledningen unna varme, olje, skarpe kanter og bevegelige deler. Skadede eller sammenfiltrede ledninger øker risikoen for elektrisk støt.*
- **Bruk en skjøteledning som er egnet for utendørs bruk dersom elektroverktøyet skal brukes utendørs.** *Bruk av en ledning egnet for utendørs bruk reduserer risikoen for elektrisk støt.*
- **Dersom det er uunngåelig å bruke et elektroverktøy på et fuktig sted, må en strømforsyning beskyttet med jordfeilbryter brukes.** *Bruk av en jordfeilbryter reduserer risikoen for elektrisk støt.*

Personlig sikkerhet


- **Vær på vakt, følg med på hva du gjør og bruk sunn fornuft når du bruker et elektroverktøy.** *Ikke bruk et elektroverktøy dersom du er trøtt eller påvirket av narkotika, alkohol eller medisiner. Et øyeblikks uoppmerksomhet mens du bruker et elektroverktøy kan føre til alvorlig personskade.*
- **Bruk personlig verneutstyr.** *Bruk alltid sikkerhetsbriller. Verneutstyr som støvmaske, sklisikre vernesko, hjelm og hørselsvern som brukes ved passende forhold vil redusere personskader.*
- **Unngå utilsiktet start.** *Sørg for at verktøyets bryter er i av-posisjon før du kobler det til strømkilden og/eller batteripakken, plukker det opp eller bærer det. Bæring av elektroverktøy med fingeren på bryteren eller strømsetting av elektroverktøy som har bryteren på, er en invitasjon til ulykker.*
- **Fjern eventuelle justeringsnøkler eller skiftenøkler før du slår på elektroverktøyet.** *En skiftenøkkel eller en nøkkel som er festet til en roterende del på elektroverktøyet kan føre til personskade.*
- **Ikke overdriv.** *Oppretthold alltid riktig fotfeste og balanse. Dette gir bedre kontroll over elektroverktøyet i uventede situasjoner.*
- **Kle deg ordentlig.** *Ikke bruk løse klær eller smykker. Hold hår og klær unna bevegelige deler. Løse klær, smykker eller langt hår kan sette seg fast i bevegelige deler.*
- **Dersom enheter for tilkobling av støvavsug og -oppsamlingsanlegg medfølger, må man sørge for at disse er tilkoblet og brukes på riktig måte.** *Bruk av støvoppsamling kan redusere støvrelaterte farer.*
- **Ikke la kjennskap oppnådd gjennom hyppig verktøybruk tillate deg å bli selvtillfreds og ignorere prinsipper for verktøysikkerhet.** *En uforsiktig handling kan forårsake alvorlig skade i løpet av en brøkdell av et sekund.*

Forsiktighet og bruk av elektroverktøy

- **Ikke bruk makt med elektroverktøyet.** *Bruk korrekt elektroverktøy for ditt bruk. Riktig elektroverktøy vil gjøre jobben bedre og sikrere med den hastigheten det ble designet for.*
- **Ikke bruk elektroverktøyet dersom bryteren ikke slår det på og av.** *Ethvert elektroverktøy som ikke kan kontrolleres med bryteren er farlig og må repareres.*
- **Koble støpselet fra strømkilden og/eller fjern batteripakken – hvis det kan tas av – fra elektroverktøyet før du foretar justeringer, bytter tilbehør eller lagrer elektroverktøyet.** *Slike forebyggende sikkerhetstiltak reduserer risikoen for å starte elektroverktøyet ved et uhell.*
- **Oppbevar et inaktivt elektroverktøy utilgjengelig for barn, og la ikke personer som ikke er kjent med elektroverktøyet eller disse instruksene bruke det.** *Elektroverktøy er farlige i hendene på utrente brukere.*

- **Vedlikehold av elektroverktøy og tilbehør.** Sjekk for feiljustering eller binding av bevegelige deler, brudd på deler og andre forhold som kan påvirke elektroverktøyet funksjon. Hvis elektroverktøyet er skadet, må det repareres før bruk. *Mange ulykker er forårsaket av dårlig vedlikeholdt elektroverktøy.*
- **Hold skjæreverktøy skarpe og rene.** *Et korrekt vedlikeholdt skjæreverktøy med skarpe skjærekanter har mindre sannsynlighet for å binde seg og er lettere å kontrollere.*
- **Bruk elektroverktøyet, tilbehør og verktøytøys osv. i samsvar med disse instruksene, og ta hensyn til arbeidsforholdene og arbeidet som skal utføres.** *Bruk av elektroverktøyet til andre anvendelser enn det som er tiltenkt, kan føre til farlige situasjoner.*
- **Hold håndtak og gripeflater tørre, rene og fri for olje og fett.** *Glatte håndtak og gripeflater vil ikke føre til sikker håndtering og kontroll av verktøyet i uventede situasjoner.*

Forsiktighet og bruk av batteriverktøy

- **Lad kun med laderen spesifisert av produsenten.** *En lader som passer én type batteripakke kan skape brannfare når den brukes med en annen batteripakke.*
- **Bruk elektroverktøy kun med batterier som er spesifikt beregnet for elektroverktøyet.** *Bruk av andre batteripakker kan øke risikoen for personskader og brann.*
- **Når batteripakken ikke er i bruk, må den holdes unna andre metallgjenstander, som binderser, mynter, nøkler, spikere, skruer eller andre små metallgjenstander som kan skape forbindelse fra en pol til en annen.** *Kortslutning av batteripolene kan føre til forbrenninger eller brann.*
- **Hvis batteriet mishandles, kan væske sprute ut fra batteriet; unngå kontakt med den.** *Hvis kontakt oppstår ved et uhell, må man skylle med vann. Kommer væsken i kontakt med øynene, må man oppsøke legehjelp. Væsken som kommer ut av batteriet kan forårsake hudirritasjon eller forbrenninger.*
- **Ikke bruk en batteripakke eller et verktøy som er skadet eller modifisert.** *Skadede eller modifiserte batterier kan oppføre seg uforutsigbart og føre til brann, eksplosjon eller personskader.*
-  **En batteripakke eller et verktøy må ikke utsettes for ild eller høy temperatur.** *Eksponering for ild eller temperaturer over 130 °C kan forårsake eksplosjon.*
- **Følg alle ladeinstruksjoner, og ikke lad batteripakken eller verktøyet utenfor temperaturområdet som er spesifisert i instruksene.** *Feil lading eller lading ved temperaturer utenfor det spesifiserte området kan skade batteriet og øke risikoen for brann.*

Service

- **Få elektroverktøyet ettersatt av en kvalifisert reparatør, som kun bruker identiske reservedeler.** *Det vil sikre at elektroverktøyet sikkerhet opprettholdes.*
- **Reparer aldri skadede batteripakker.** *Reparasjon av batteripakker bør kun utføres av produsenten eller autoriserte reparatører.*

Sikkerhetsadvarsler for TrapMaster Pro

- **Lek aldri med TrapMaster Pro. Pek eller sikt aldri mot mennesker eller dyr. Bruk TrapMaster Pro kun utendørs og på åpne områder. Skyt alltid i været.**
 - **Bruk TrapMaster Pro kun på permanente eller midlertidige skytebaner.** *Brukte leirduer, enten de er helt intakte eller i stykker, må ikke etterlates på private eller offentlige områder hvor folk eller dyr kan komme i kontakt med dem ved en tilfeldighet.*
 -  **Bruk både hørselsvern og sikkerhetsbriller når TrapMaster Pro brukes i nærheten av skyttere.** *Sikkerhetsbriller er viktig på grunn av farer fra TrapMaster Pro, og støyen fra skytingen kan skade hørselen din.*
 - **Hold alltid TrapMaster Pro sikkert og med strak arm som peker i retningen til leirduens/leirduenes tiltenkte bane.** *Dette vil sikre en klar indikasjon på banen. En bøyd arm kan føre til at leirduen forlater TrapMaster Pro i en usikker avstand for nær TrapMaster Pro-brukeren og personer i nærheten.*
- Aldri sikt, pek eller skyt på personer eller dyr. Skyt alltid i været. Det skal være en fri sikt på 40 grader til venstre og høyre for TrapMaster Pros sikteretning.** *Dette vil sikre at TrapMaster Pro-brukeren kan observere mennesker og dyr som ved et uhell kommer inn i skyteområdet, og dermed forhindre igangsetting av et nytt skudd.*
- **Forsøk aldri å stoppe roterende leirduer for hånd eller ved å holde en gjenstand foran TrapMaster Pro når den røde avfyrringsknappen er trykket inn. Stopp i stedet leirduen ved å slå av TrapMaster Pro via hovedbryteren.** *Leirduen er skjor og vil splintre dersom den treffer noe. Splintene kan ha skarpe kanter og forårsake skade.*
 - **Før du trykker på den røde avfyrringsknappen, må du alltid sørge for at ingen står i veien og at sikkerhetsavstandene overholdes av personer i nærheten.** *Sørg for at alle er klar over personen som skyter med TrapMaster Pro.*
 - **Bruk kun originale leirduer fra produsenten av TrapMaster Pro, Nordic Clays.** *Leirduer med annen styrke, vekt, balanse, fremdrift osv. kan skape uforutsette farer og ødelegge TrapMaster Pro.*

Sikkerhetsavstander

- **Ved avfiring av leirduer må ingen personer eller dyr befinne seg foran brukeren av TrapMaster Pro i en avstand på 120 meter eller i et rektangulært område 2,0 m til venstre, 2,0 m til høyre og 1,0 m bak.** *Dette er for å beskytte mennesker i nærheten mot splinter fra en leirdue i tilfelle den går i stykker under avfiring eller umiddelbart etter.*

Brukere

- Voksne som har lest og forstått bruksanvisningen og derved fått kjennskap til TrapMaster Pros funksjoner samt sikkerhetsinstruksjoner osv. De skal være fysisk og mentalt velfungerende, samt ha normalt syn og hørsel evt. under anvendelse av briller/høreapparat.
- Kun personer over 16 år har lov til å bruke TrapMaster Pro. Unge mennesker i alderen 16 til 17 år skal være under oppsyn av erfarne brukere og i tillegg oppfylle kravene til voksne brukere. *Denne aldersgruppen kan ha varierende autoritet og manglende bevissthet om risiko.*

2 Produktoversikt

2.1 Produsent

Nordic Clays ApS
Rolighedsvej 9, 1. TV,
DK-1958 Frederiksberg C
Telefon: +45 29 88 22 93
E-post: info@nordicclays.com
www.nordicclays.com

2.2 TrapMaster Pro's betegnelse

Den fullstendige betegnelsen er: TrapMaster Pro 1.0

2.3 Tiltenkt bruk

Maskinen er tiltenkt, når den holdes frem med strak arm, å skyte ut sirkulære skiver av biobasert materiale, som fungerer som leirduer for leirdueskyting.

2.4 Bruk som ikke er tillatt

TrapMaster Pro skal kun brukes etter hensikten. Brukeren må aldri demontere TrapMaster Pro, dette vil annullere og ugyldiggjøre garantien.

2.5 Illustrerte komponenter

Nummereringen av de illustrerte komponentene refererer til illustrasjonen av elektroverktøyet på side 2.

- 12: Strømbryter (på/av)
- 13: LED-lampe for batterinivå
 - a. Batterinivåer:
 - i. Grønn = 33–100 %
 - ii. Rød = 0–33 %
- 14: Innebygd oppladbart batteri (Li-Ion)
- 15: Uttak for batterilader
- 16: Ladelampe (LED)
 - a. Rødt lys = lader
 - b. Ingen lys = fulladet.
- 17: Trinnvis styrkereglulator (trinn 0–9)
 - a. 9 er den høyeste hastigheten
 - b. 0 er den laveste hastigheten
- 18: Aksel
- 19: Blå knapp for å låse leirduen/leirduene til akselen
 - a. Hvis klørne er ute, kan knappen holdes nede for å kjøre dem inn igjen.
 - i. Hvis knappen holdes nede, vil den røde knappen (9) ikke fungere.
 - b. Man kan også starte maskinen på nytt for å få klørne inn igjen.
- 20: Rød knapp til å avfyre leirduen/leirduene
- 21: Håndtak
- 22: Leirdue
 - a. Kan legges på akselen begge veier (7)

2.6 Funksjonsbeskrivelse

TrapMaster Pro slås på med strømbryteren (1), leirduen/leirduene (11) settes på akselen (7), de tre «klørne» aktiveres av den blå knappen (8), leirduen/leirduene avfyres med den røde knappen (9). Når leirduens/leirduenes rotasjonshastighet tilsvarer det innstilte nivået på den trinnvise styrkeregulatoren (6), beveger akselen seg et stykke fremover samtidig som klørne trekker seg tilbake. Dette gjør at leirduen/leirduene flyr ut av TrapMaster Pro, og at rotasjonen av akselen stopper kort tid etter. Når akselen slutter å spinne, er TrapMaster Pro klar for en repetisjon av prosessen.

2.7 Tekniske spesifikasjoner

2.7.1 Vekt

2,0 kg

2.7.2 Elektrisk strømforsyning

Nominell spenning: 15 V DC

Maks. ladestrøm: 1,2 A

Anbefalt lader: TDX-1501200

2.8 Emisjon, støy

Det A-vektede lydtrykknivået, LpA, fra TrapMaster Pro overstiger ikke 70 dB(A).

2.9 Drifts- og lagringsforhold

Utendørs med god sikt på permanente eller midlertidige leirdueskytebaner.

Omgivelser	
Tillatt temperaturområde for omgivelsene under drift og lagring.	-10 til +40 °C
Anbefalt temperaturområde for omgivelsene ved langtidslagring (over 3 måneder).	20 ±5 °C
Anbefalt temperaturområde for omgivelsene under lading.	0 til +35 °C
Tillatt relativ fuktighet (ikke-kondenserende)	Min. 20 % Maks. 90 %
Anbefalt relativ fuktighet for langtidslagring (over 3 måneder).	65 ±20 %
EMC-miljø	B, (Boligområder, lettindustrielle områder eller tilsvarende områder)

2.10 Maskinens tiltenkte levetid

TrapMaster Pro forventes å fungere i 5 år. Etter 5 år må TrapMaster Pro på service eller få en overhaling av produsenten.

3 Lading

Bruk kun laderen som er nevnt i avsnittet «Elektrisk strømforsyning» eller en lader med identiske spesifikasjoner.

Dersom indikatorlampen (2) ikke lyser i det hele tatt etter at TrapMaster Pro er slått på, er batteriet tomt og må lades. Når lampen lyser rødt, er kapasiteten til batteriet lavere enn 33 %. Lyset må være enten grønt, gult eller rødt for at TrapMaster Pro skal være klar og funksjonell.

Slik lader du TrapMaster Pro:

- Fjern beskyttelseshetten (4)
- Sett inn den lille pluggen til laderen
- Koble laderen til stikkkontakten
- Sjekk at den røde ladelampen (5) lyser, noe som indikerer at den lader
- La ladingen fortsette til ladelampen slås av, noe som indikerer at ladingen er fullført.
- Ta laderens plugg ut av stikkkontakten og deretter fra TrapMaster Pro
- Sett beskyttelseshetten på igjen (4)

TrapMaster Pro bør alltid være slått av under lading.

Unngå ved lading å dekke til batteriladeren eller TrapMaster Pros batteridel under håndtaket, og sørg for god ventilasjon.

4 Betjening

Betjening av TrapMaster Pro må foregå i samsvar med tiltenkt bruk. Se avsnitt 2.4 «Tiltenkt bruk».

4.1 Risikoer og farer

Alle brukere må ha gått gjennom alle sikkerhetsaspekter beskrevet i avsnitt 1 «Sikkerhet» før maskinen tas i bruk for første gang.

4.2 Kontrollanordninger

TrapMaster Pro styres manuelt av strømbryteren (1), den trinnvise styrkeregulatoren (6), den blå knappen som låser leirduen/leirduene til akselen (8) og den røde avfyriingsknappen (9). Tallene refererer til avsnitt 2.6 «Produktdetaljer».

4.3 Betjeningsmoduser

- Manuell betjening: Brukeren fester leirduen/leirduene på akselen (7) ved å trykke på den blå knappen (8). Deretter avfyres den/de ved å trykke på den røde knappen (9). Dette gjentas. Tallene refererer til avsnitt 2.6 «Produktdetaljer».
- Lading: Brukeren lader det innebygde oppladbare batteriet ved å bruke den medfølgende batteriladeren.

4.4 Start

Hver gang du skal bruke TrapMaster Pro etter at den har blitt lagt til side, selv for en kort stund, må du sjekke at strømbryteren fungerer som nødstop. Se avsnitt 5 «Inspeksjon og testing av TrapMaster Pro» for å sjekke dette.

Før TrapMaster Pro tas i bruk må brukeren også sørge for at:

- Det er ordentlig fotfeste
- Det er fri sikt 40 grader til venstre og til høyre for sikteretningen
- Ingen personer befinner seg innenfor de nevnte vinklene.

4.5 Påsetting og avfiring av leirduer

- Ta en eller to nye leirduer (11).
- Sjekk at leirduen/leirduene er uskadede og hele. Kast den hvis ikke og ta en annen.
- Slå TrapMaster Pro på ved hjelp av strømbryteren (1).
- Vent til indikatorlampen (2) tennes og har spilt oppstartslyden.
 - Tre raske og ett langt pip.
- Mens du holder TrapMaster Pro i hånden, skal du vippe den 90° bakover, slik at akselen (7) peker mot himmelen og er horisontal.
- Plasser leirduen/leirduene på akselen (7) slik at den/de hviler på stopperen.
- Trykk på den blå knappen (8) for å låse leirduen/leirduene på akselen.
 - Skulle du ved en feil trykke på knappen før leirduen/leirduene er plassert, kan du trykke og holde knappen nede til du har plassert leirduene på akselen.
- Legg merke til den korte lille lyden, og at leirduen/leirduene er låst til akselen.
- Sjekk igjen fotfestet og at ingen personer befinner seg innenfor de farlige områdene.
- Trykk på den røde knappen (9). Leirduen/leirduene vil da begynne å akselerere for å forlate TrapMaster Pro 2–3 sekunder senere.

- Når akselens rotasjon har stoppet, er TrapMaster Pro klar for en ny leirdue, og du kan gjenta prosedyren eller slå den av via strømbryteren (1).

4.6 Nødsituasjoner

Farlige situasjoner kan oppstå under bruk, hvor det vil være nødvendig å stanse TrapMaster Pro umiddelbart. Hvis en slik situasjon oppstår, må den slås av via strømbryteren (1).

Følgende situasjon kan kreve nødstop av TrapMaster Pro:

- En farlig situasjon
- Forekomst av plutselige ukjente forhold, f.eks. unormale lyder (rumling, banking, susing), vibrasjoner eller varme. I dette tilfellet må brukeren inspisere TrapMaster Pro for feil og mangler før den slås på igjen.

4.7 Fjerning av avfall i forbindelse med bruken

Etter å ha avfyrt en eller flere leirduer, må man alltid sørge for å ta med seg sitt avfall, slik at naturen forlattes som den var ved ankomst.

4.8 Transport

Bruk alltid den medfølgende kofferten når TrapMaster Pro skal transporteres eller lagres.

Det innebygde Li-Ion-batteriet er underlagt kravene i loven om farlig gods. Brukeren kan transportere batteriet på vei uten ytterligere begrensninger.

Ved forsendelse med tredjeparter (f.eks. med flytransport eller pakkepost), må spesielle krav til emballasje og merking overholdes. Når varen forberedes til forsendelse, må du rådføre deg med selskapet du har tenkt å bruke. Vær klar over muligheten for mer detaljerte nasjonale regler.

5 Vedlikehold og service

Det finnes ingen deler som kan byttes ut av brukeren.

Inspeksjon og testing av TrapMaster Pro

Komponent/ maskindel:	Hyppighet:	Hvordan (metode):	Akseptert/ ikke akseptert:	Handling:	I/T/M <small>I = Inspeksjon T = Testning M = Merking</small>
Sikkerhetsrelevant inspeksjon og testing:					
Strømbryteren brukt som nødstop.	Hver gang TrapMaster Pro har blitt lagt til side, selv for en kort periode, og minst en gang i året.	Følg instruksene i avsnittet «Påsetting og avfiring av leirdue», men uten en leirdue. Slå av maskinen via strømbryteren høyst 1 sekund etter at motoren har startet.	Motoren må stoppe umiddelbart.	Ved feil må TrapMaster Pro repareres, deretter må funksjonen testes på nytt.	I/T

6 Rengjøring

Hold TrapMaster Pro ren. Slå TrapMaster Pro av etter bruk og rengjør den for støv og skitt. Bruk en våt klut med litt mildt vaskemiddel. Ikke bløtlegg TrapMaster Pro i vann. Tørk TrapMaster Pro forsiktig etter rengjøring. Etter rengjøring lagres TrapMaster Pro i tørre og trygge omgivelser. TrapMaster Pro må ikke oppbevares på et fuktig sted over lengre tid.

7 Feilsøking

7.1 Feilsøking og generell feilidentifikasjon

Når uregelmessigheter oppdages under drift av maskinen, må en undersøkelse utføres så snart som mulig. Ved rask inngripen og korrigering av uregelmessighetene kan en farlig situasjon forhindres, i tillegg til at unødig slitasje og belastning på maskinen unngås. Dersom TrapMaster Pro ikke vil fungere ordentlig etter å ha blitt slått av og på noen ganger, må maskinen sendes til vår produksjonsadresse.

Ved gjentatt svikt som følge av ukjent feil, må en totalkontroll av maskinen utføres. Dersom problemene vedvarer, må produsenten kontaktes på telefon eller e-post med en beskrivelse av utfordringen.

8 Avhending

Produktet er underlagt direktiv 2012/19/EU om avfall av elektrisk og elektronisk utstyr (WEEE) og 2006/66/EC om batterier og akkumulatører samt brukte batterier og akkumulatører.

Symbolet indikerer at dette produktet inkludert batteriet ikke må kastes sammen med det øvrige husholdningsavfallet. Batterier, elektrisk og elektronisk utstyr inneholder stoffer som kan forårsake skade på menneskers helse og miljø dersom de ikke resirkuleres på korrekt måte. Det er ditt ansvar å overlevere dette produktet til et lokalt utpekt WEEE-innsamlingspunkt for resirkulering. Ved innlevering til korrekt resirkulering bidrar du til å beskytte menneskers helse samt forhindrer at disse produktene belaster natur og miljø unødvendig. For mer informasjon kan du kontakte din kommune eller din lokale avfallsstasjon.

Innebygd batteri: Det innebygde batteriet er av Li-Ion-typen. Ikke demonter produktet for avhending. Det kreves spesialkunnskap for å gjøre dette på en sikker måte.



9 Kopi av EF-samsvarserklæringen

EF-samsvarserklæring
2006/42/EF vedlegg II A

Produsent og kompilator av den tekniske filen:

Navn: Nordic Clays ApS
Adresse: Rolighedsvej 9, 1. TV
Postnummer og poststed: DK-1958 Frederiksberg C

Erklærer herved at maskinen av typen:

- TrapMaster Pro

Er produsert i samsvar med følgende direktiver:

- 2006/42/EF Maskindirektiv
- 2014/30/EU EMC-direktivet

Friis Arne Petersen

CEO

Stilling

København K

Sted

14-06-2022

Dato

¡Atención!

Lea todas las advertencias, instrucciones, ilustraciones y especificaciones de seguridad que se incluyen con el lanzaplatos TrapMaster Pro. Sígala detenidamente y consérvelas junto con el lanzaplatos TrapMaster Pro para futuras consultas.

1 Seguridad

ADVERTENCIA Lea todas las advertencias, instrucciones, ilustraciones y especificaciones de seguridad que se proporcionan con esta herramienta.

Si no se siguen las siguientes instrucciones, podrán producirse descargas eléctricas, incendios o lesiones físicas graves. Guarde estas advertencias e instrucciones para futuras consultas.

El término «herramienta eléctrica» al que se hace referencia en las advertencias se refiere a su herramienta eléctrica que funciona conectada a la red (con cable) o que funciona mediante batería (sin cable).

Seguridad en el área de trabajo

- **Mantenga la zona de trabajo limpia y bien iluminada.** *Las zonas sin luz o desordenadas son más propensas a tener accidentes.*
- **No utilice herramientas eléctricas en entornos explosivos, si, por ejemplo, hay líquidos, gases o polvos inflamables cerca.** *Las herramientas eléctricas generan chispas, las cuales pueden incendiar el polvo o los humos.*
- **Aleje de niños y transeúntes cuando manipule una herramienta eléctrica.** *Las distracciones pueden hacerle perder el control.*

Seguridad eléctrica

- **Los enchufes de la herramienta eléctrica deben ser aptos para la toma de corriente. Nunca modifique el enchufe de ninguna manera. No utilice ningún enchufe adaptador con herramientas con toma a tierra.** *Los enchufes que no están modificados y sus correspondientes tomas reducen el riesgo de descargas eléctricas.*
- **Evite el contacto físico con objetos conectados a tierra, como tuberías, radiadores, fogones y refrigeradores.** *La probabilidad de que se produzcan descargas eléctricas es mayor si su cuerpo está conectado a tierra.*
- **No deje las herramientas eléctricas expuestas a la lluvia o en entornos húmedos.** *Si se moja una herramienta eléctrica, aumentará el riesgo de descargas eléctricas.*
- **No maltrate el cable. No transporte, coja ni desenchufe la herramienta eléctrica tirando del cable. Aleje el cable de fuentes de calor, aceites, bordes afilados o piezas móviles.** *Los cables dañados o enredados aumentan el riesgo de descarga eléctrica.*
- **Cuando use una herramienta eléctrica al aire libre, utilice un alargador adecuado para su uso en exteriores.** *Utilizar un cable apropiado para uso en exteriores reduce el riesgo de descargas eléctricas.*
- **Si es inevitable el uso de una herramienta eléctrica en un entorno húmedo, utilice un dispositivo de protección de corriente residual adecuado.** *Un dispositivo de protección de corriente residual reduce el riesgo de descargas eléctricas.*

Seguridad personal


- **Manténgase alerta, vigile lo que esté haciendo y use el sentido común al utilizar una herramienta eléctrica. No utilice una herramienta eléctrica si está cansado o bajo la influencia de las drogas, el alcohol o un medicamento.** *Un descuido mientras manipula una herramienta eléctrica puede resultar en lesiones graves.*
- **Use equipo de protección individual. Utilice siempre protección para los ojos.** *Los equipos de protección como máscaras antipolvo, calzado de seguridad antideslizante, cascos o protección para los oídos reducirán las lesiones físicas personales.*
- **Evite el encendido por accidente. Asegúrese de que el botón esté en posición de apagado antes de conectar la herramienta a la luz o poner la batería y al coger o transportar la herramienta.** *Evite accidentes evitando transportar la herramienta eléctrica con el dedo puesto en el botón.*
- **Retire cualquier llave inglesa o herramienta antes de encender la herramienta eléctrica.** *Las herramientas unidas a una pieza giratoria de la herramienta eléctrica pueden provocar lesiones físicas personales.*
- **No se incline demasiado. Mantenga siempre el equilibrio y una posición adecuada.** *De esta manera controlará mejor la herramienta eléctrica en situaciones imprevistas.*
- **Vístase adecuadamente. No lleve ropa holgada ni joyería. Mantenga el pelo y la ropa lejos de las piezas móviles.** *La ropa holgada, la joyería o el pelo largo pueden quedar atrapados en las piezas móviles.*
- **Si se proporcionan dispositivos para la conexión de instalaciones de extracción y recogida de polvo, asegúrese de que estén conectados y se utilicen adecuadamente.** *La recogida de polvo puede reducir los riesgos asociados al polvo.*
- **No se confíe ni ignore los principios de seguridad por el conocimiento adquirido al hacer un uso frecuente de la herramienta.** *Cualquier descuido puede causar lesiones graves en una fracción de segundo.*

Uso y cuidados de la herramienta eléctrica

- **No fuerce la herramienta eléctrica. Utilice la herramienta eléctrica para su uso previsto.** *Una herramienta eléctrica adecuada hará mejor el trabajo y de manera más segura.*
- **No utilice la herramienta eléctrica si el botón no enciende o apaga.** *Cualquier herramienta eléctrica que no pueda controlarse con el botón es peligrosa y debe repararse.*
- **Desconecte el enchufe de la fuente de alimentación o retire la batería, si es extraíble, de la herramienta eléctrica antes de hacer cualquier modificación, cambiar algún accesorio o guardarla.** *Estas medidas de seguridad preventivas disminuyen el riesgo de poner en marcha la herramienta sin querer.*

- **Guarde las herramientas eléctricas fuera del alcance de los niños y no deje que ninguna persona que no esté familiarizada con la herramienta o con estas instrucciones utilice la herramienta eléctrica.** *Las herramientas eléctricas son peligrosas en manos de usuarios inexpertos.*
- **Encárguese del mantenimiento de las herramientas eléctricas y sus accesorios.** Compruebe que las piezas móviles no estén atascadas ni desalineadas ni cualquier otra condición que pueda afectar al funcionamiento de la herramienta eléctrica. Si el cable está dañado, llévalo a reparar antes de utilizar la herramienta. *Muchos accidentes se producen por un mal mantenimiento de las herramientas eléctricas.*
- **Mantenga las herramientas de corte afiladas y limpias.** *Es menos probable que las herramientas de corte eléctricas que tengan un buen mantenimiento se atasquen, y son más fáciles de controlar.*
- **Utilice la herramienta eléctrica, sus accesorios, brocas, etc., de acuerdo con estas instrucciones y teniendo en cuenta las condiciones de trabajo y la tarea que se quiere efectuar.** *El uso de la herramienta eléctrica para otros usos puede dar lugar a situaciones peligrosas.*
- **Mantenga las empuñadoras y las superficies de contacto secas, limpias y libres de aceites y grasas.** *No se controlará con seguridad la herramienta en situaciones imprevistas con empuñadoras y superficies de contacto resbaladizas.*


Usos y cuidados de la herramienta con batería

- **Recárguela únicamente con el cargador especificado por el fabricante.** *Los cargadores especificados para un tipo de batería pueden suponer un riesgo de incendio si se utilizan con otro tipo de batería.*
- **Utilice las herramientas eléctricas con las baterías diseñadas específicamente para ellas.** *El uso de cualquier otro tipo de batería puede suponer riesgos de lesiones e incendios.*
- **Cuando no se vaya a utilizar, mantenga la batería lejos de objetos metálicos, como clips, monedas, llaves, clavos, tornillos u otros objetos pequeños metálicos, que puedan hacer conexión de un borne a otro.** *Un cortocircuito entre los bornes de la batería puede provocar quemaduras o un incendio.*
- **Si se utiliza con violencia, el líquido puede salirse de la batería.** Evite el contacto. **Si se produce contacto sin querer, lave con agua.** Si el líquido entra en contacto con los ojos, busque, además de lavar con agua, atención médica. *El líquido que sale expulsado de la batería puede causar irritaciones o quemaduras.*
- **No utilice baterías o herramientas que estén dañadas o hayan sido modificadas.** *Las baterías dañadas o modificadas pueden presentar un comportamiento imprevisible y provocar incendios, explosiones o riesgo de lesiones.*
-  **No deje una batería o herramienta expuesta al fuego o a temperaturas excesivas.** *Su exposición a fuegos o a temperaturas por encima de los 130 °C puede causar explosiones.*
- **Siga todas las instrucciones de carga y no cargue la batería ni la herramienta a temperaturas que no estén dentro del intervalo que se especifica en las instrucciones.** *Si se carga de manera inapropiada en un intervalo de temperaturas que no sea el especificado puede dañar la batería y aumentar el riesgo de incendio.*

Reparaciones

- **Si necesita reparar su herramienta eléctrica, llévela a un técnico cualificado que utilice recambios originales.** *De esta forma se garantiza la seguridad de la herramienta eléctrica.*
- **Nunca repare baterías dañadas.** *La reparación de baterías solo debe hacerla el fabricante o proveedores de servicio autorizados.*

Advertencias de seguridad de TrapMaster Pro

- **TrapMaster Pro no es un juguete. No apunte con el producto a ninguna persona ni a ningún animal. Utilice TrapMaster Pro al aire libre y en espacios abiertos.** *Dispare siempre al aire.*
- **Utilice TrapMaster Pro en campos de tiro permanentes o temporales.** *Los platos de tiro usados, estén intactos o rotos, no deben dejarse en áreas privadas ni públicas donde personas, niños, animales o ganado puedan entrar en contacto con ellos sin querer.*
-  **Además de utilizar protección para los ojos, utilice también protección auditiva cuando se utilice TrapMaster Pro cerca de tiradores.** *La protección para los ojos es importante debido a los peligros asociados con el uso de TrapMaster Pro y el ruido que se produce al disparar, que puede dañar el oído.*
- **Sujete siempre TrapMaster Pro de forma segura y con un brazo recto apuntando a la trayectoria prevista del plato de tiro.** *De este modo, se garantiza una clara orientación de la trayectoria. Si dobla el brazo, el plato de tiro podría salir de TrapMaster Pro a una distancia poco segura, demasiado cerca del usuario que está utilizando TrapMaster Pro y de las personas de alrededor.*

Nunca apunte ni dispare a personas o animales vivos. Dispare siempre al aire. *Se debe tener una visión clara de 40 grados a la izquierda y a la derecha en la dirección a la que se apunta con el TrapMaster Pro. Así el usuario podrá ver si hay personas, animales o ganado cerca que hayan entrado a la zona de tiro sin querer y evitar disparar.*

- **No trate de detener el plato giratorio con la mano o con otro objeto desde la parte delantera de TrapMaster Pro cuando se haya pulsado el botón de disparo rojo.** *En su lugar, detenga el plato apagando TrapMaster Pro, pulsando el botón de encendido.* *El plato es frágil y se hará trozos si golpea con algo. Los trozos pueden tener bordes afilados y causar daños.*
- **Antes de pulsar el botón de disparo rojo, asegúrese de que no haya nadie en las intermediaciones y de que todo el mundo de alrededor mantenga la distancia de seguridad.** *Asegúrese de que todo el mundo sepa quién está disparando con TrapMaster Pro.*

- **Utilice únicamente platos de tiro originales del fabricante de TrapMaster Pro, Nordic Clays.** Otros platos de tiro de diferente fuerza, peso, equilibrio, efecto de propulsión, etc., pueden ocasionar peligros imprevistos y romper TrapMaster Pro.

Distancias de seguridad

- **Cuando se lance un plato, ninguna persona, animal o ganado puede estar situado delante del usuario de TrapMaster Pro a una distancia de 120 metros o en un área rectangular de 2,0 m a la izquierda, 2,0 m a la derecha y 1,0 m por detrás.** Esto se hace para evitar que a las personas que haya cerca les caiga trozos de un plato que se rompa al lanzarse o inmediatamente después.

Usuarios

- **Aquellos adultos que hayan leído y entendido el manual de instrucciones y sepan cómo funciona TrapMaster Pro, así como sean conscientes de las instrucciones de seguridad, que estén física y mentalmente bien y tengan una vista y oído normales, aún con el uso de gafas o audífonos.**
- **Solo está permitido el uso de TrapMaster Pro a mayores de 16 años. Los menores de 16 a 17 años deberán utilizarlo bajo la supervisión de usuarios expertos y cumplir con los requisitos de los usuarios adultos. Los jóvenes de 16 a 17 años pueden mostrar una actitud contradictoria y una falta de concienciación sobre los riesgos.**

2 Resumen del producto

2.1 Fabricante

Nordic Clays ApS
Rolighedsvej 9, 1. TV,
DK-1958 Frederiksberg C
Teléfono: +45 29 88 22 93
E-mail: info@nordicclays.com
www.nordicclays.com

2.2 Denominación del lanzaplatos

Denominación completa: TrapMaster Pro 1.0

2.3 Uso previsto

Esta máquina está prevista que se utilice sosteniéndola hacia delante con el brazo recto para lanzar platos circulares de material de base biológica, los cuales funcionan como platos de tiro para el tiro al plato.

2.4 Aplicaciones prohibidas

El lanzador TrapMaster Pro solo debe utilizarse para su uso previsto. El usuario no desmontará TrapMaster Pro, de lo contrario se cancelará y dejará sin efecto su garantía.

2.5 Componentes ilustrados

La numeración de los componentes ilustrados hace referencia a la ilustración de la herramienta eléctrica de la página 2.

- 23: Botón de encendido/apagado
- 24: Luz LED del nivel de batería
 - a. Nivel de batería:
 - i. Verde = 66-100 %
 - ii. Amarillo = 33-66 %
 - iii. Rojo = 0-33 %
- 25: Batería recargable incorporada (de ion de litio)
- 26: Enchufe para cargador de la batería
- 27: Luz LED de carga
 - a. Luz roja = cargando
 - b. Sin luz = Carga completa.
- 28: Regulador de potencia gradual (Etapas 0-9)
 - a. siendo 9 la mayor velocidad
 - b. siendo 0 la menor velocidad
- 29: Eje
- 30: Botón azul de carga para trabar el plato en el eje

- a. Si las pinzas están desplegadas, mantenga pulsado el botón para retraerlas.
 - i. Mientras mantenga pulsado el botón, el botón rojo (9) no funcionará.
 - b. También puede reiniciar la máquina para retraer las pinzas.
- 31: Botón de disparo rojo para lanzar el plato
 32: Empuñadora
 33: Plato de tiro
- a. Se puede cargar en el eje en ambos sentidos (7)

2.6 Funcionamiento de TrapMaster Pro

El lanzaplatos TrapMaster Pro se enciende con el botón de encendido (1), el plato (11) se monta en el Eje (7), las tres «pinzas» se activan con el botón de carga azul (8), el lanzamiento y la aceleración del plato se activa con el botón de disparo rojo (9). Si la velocidad de rotación del plato o platos coincide con el valor del regulador de potencia gradual (6), el eje se moverá un poco hacia delante al mismo tiempo que las pinzas se retraen y el/los plato(s) sale(n) despedidos de TrapMaster Pro y la rotación del eje se detendrá poco después. Cuando el eje deje de girar, el lanzaplatos TrapMaster Pro estará listo para repetir el proceso.

2.7 Especificaciones técnicas

2.7.1 Peso

2,0 kg.

2.7.2 Suministro de energía eléctrica

Tensión nominal: 15 V CC

Corriente de carga máxima: 1,2 A

Cargador recomendado: TDX-1501200

2.8 Emisiones, ruidos

El nivel sonoro con ponderación A que produce TrapMaster Pro no excede los 70 dB(A).

2.9 Uso y almacenamiento

Al aire libre con buena visibilidad en campos de tiro al plato permanentes o temporales.

Entorno	
Intervalo de temperatura ambiente permitido durante su uso y almacenamiento	-10 a +40 °C
Intervalo de temperatura ambiente recomendado para un almacenamiento prolongado (más de 3 meses).	20 ±5 °C
Intervalo de temperatura ambiente recomendado mientras carga.	0 a +35 °C
Humedad relativa permitida (sin condensación)	20 % mín. 90 % máx.
Humedad relativa recomendada para un almacenamiento prolongado (más de 3 meses).	65 ±20 %
Compatibilidad electromagnética	Clase B (zonas residenciales, entornos industriales o áreas similares)

2.10 Vida útil prevista del producto

TrapMaster Pro tiene una duración prevista de 5 años. Pasados estos 5 años, el fabricante deberá revisar o reacondicionar TrapMaster Pro.

3 Carga

Utilice únicamente el cargador que se indica en el apartado «Suministro de energía eléctrica» o uno con especificaciones idénticas.

Si la luz LED (2) no emite ninguna luz, tras encender TrapMaster Pro, significa que la batería está agotada y necesita cargarse. La luz roja indica que la capacidad de la batería está por debajo del 33 %. La luz debe ser verde, amarilla o roja para que TrapMaster Pro esté lista y funcione.

Para cargar TrapMaster Pro:

- Retire el zócalo de protección (4)
- Conecte la clavija del cargador
- Enchufe el cargador a la luz
- Compruebe que las luces led de carga (5) se iluminan, lo cual indica que está cargando
- Deje que cargue hasta que la luz de carga se apague, indicando que la carga ha terminado
- Desenchufe primero el cargador de la luz y luego de TrapMaster Pro
- Vuelva a colocar el zócalo de protección en el enchufe (4)

TrapMaster Pro debe estar siempre apagado mientras esté cargando.

Mientras se carga, evite tapar el cargador de la batería o la misma batería que se encuentra debajo de la empuñadora del lanzaplatos TrapMaster Pro. Garantice también una buena ventilación.

4 Funcionamiento

El funcionamiento de la máquina debe cumplir con el uso previsto de la misma. Véase apartado 2.4 Uso previsto.

4.1 Riesgos y peligros

Todos los usuarios deberán haber leído todos los aspectos de seguridad que se describen en el apartado 1 Seguridad antes de utilizar la máquina por primera vez.

4.2 Controles

TrapMaster Pro se controla manualmente con el botón de encendido (1), el regulador de potencia gradual (6), el botón de carga azul para trabar los platos (8) y el botón de disparo rojo (9). Los números hacen referencia al apartado 2.6 Características de TrapMaster Pro

4.3 Modos de uso

- Uso manual: El usuario fija un plato o platos en el eje (7) activando el botón de carga azul (8) y lo lanza apretando el botón de disparo rojo (9). Esto se hace repetidas veces. Los números hacen referencia al apartado 2.6 Características de TrapMaster Pro
- Carga: El usuario cargará la batería con el cargador de la batería que se incluye.

4.4 Puesta en marcha

Cada vez que utilice TrapMaster Pro después de no haberla usado un tiempo, compruebe que el botón de encendido y apagado funcione correctamente. Véase apartado 5 «Inspección y comprobación de TrapMaster Pro».

Antes de usar TrapMaster Pro, el usuario debe asegurarse de que:

- Está sobre un punto de apoyo firme
- Tiene una vista clara de 40 grados a la izquierda y a la derecha en la dirección a la que se apunta
- No hay personas situadas en los ángulos mencionados.

4.5 Montaje y lanzamiento

- Coja un plato (11).
- Compruebe que esté intacto, sin daños. Si tuviera alguno, descártelo y coja otro.
- Encienda TrapMaster Pro con el botón (1).
- Espere hasta que la luz led (2) se encienda y se escuche el sonido de encendido.

- Tres pitidos rápidos y uno largo.
- Sujutando el lanzaplatos TrapMaster Pro con la mano, inclínelo 90 ° hacia atrás, de modo que el eje (7) apunte hacia el cielo y esté en posición horizontal.
- Coloque el plato en el Eje (7), de manera que el plato se apoye en el tope.
- Pulse el botón de carga azul (8) para trabar el plato en el eje.
 - Si por error pulsa el botón antes de colocar el plato: Mantener pulsado el botón hasta colocar el plato en el eje.
- Escuchará un breve sonido cuando el plato se trabe en el eje.
- Compruebe de nuevo su punto de apoyo y que no haya personas dentro de las zonas peligrosas.
- Pulse el botón de disparo rojo (9). El plato se acelerará y saldrá del TrapMaster Pro 2-3 segundos después.
- Cuando la rotación se detenga, TrapMaster Pro estará listo para otro plato. Repita el procedimiento o apáguelo con el botón (1).

4.6 Situaciones de emergencia

Pueden darse situaciones peligrosas y será necesario detener de inmediato TrapMaster Pro. Si ocurre alguna situación de este tipo, apáguelo con el botón (1).

Las siguientes situaciones pueden requerir una parada de emergencia de TrapMaster Pro:

- Una situación peligrosa
- La aparición de condiciones imprevistas, como ruidos anómalos (estruendos, golpes, chisporroteos), vibraciones o calor. En este caso, el usuario deberá comprobar que TrapMaster Pro no tenga fallos ni defectos antes de encenderlo de nuevo.

4.7 Eliminación de residuos después de su uso

Después de disparar uno o varios platos, recoja siempre la basura con el fin de dejar el entorno natural tal como estaba cuando llegó.

4.8 Transporte

Utilice siempre el estuche con el que se suministra TrapMaster Pro para transportarlo o guardarlo.

La batería de iones de litio incorporada está sujeta a los requisitos de la legislación sobre mercancías peligrosas. La batería es apta para que el usuario pueda transportarla por carretera sin mayores restricciones.

Cuando el transporte lo haga un tercero (como transporte por aire o correo postal), se deberán respetar los requisitos especiales relativos al embalaje y etiquetado. Para preparar el artículo para su envío, consulte a la empresa de transporte. Tenga en cuenta que pueden existir otras normativas nacionales.

5 Mantenimiento y reparación

No hay piezas que pueda sustituir el usuario.

Inspección y comprobación de TrapMaster Pro

Componente/ pieza de la máquina:	Frecuencia:	Cómo (método):	Aceptación/ rechazo:	Medida:	I/C/M <small>I = Inspección, C = Comprobación, M = Medida</small>
Inspección y pruebas de seguridad pertinentes:					
Botón de encendido como botón de parada de emergencia.	Cada vez que TrapMaster Pro no se haya utilizado en un tiempo y al menos una vez al año.	Siga las instrucciones del apartado «Montaje y lanzamiento de platos», pero sin plato. 1 segundo después de que el motor se ponga en marcha, apague la máquina con el botón de encendido.	El motor se detendrá de inmediato.	En caso de fallo, se deberá reparar TrapMaster Pro y su funcionamiento deberá comprobarse de nuevo.	I/C

6 Limpieza

Mantenga TrapMaster Pro limpio. Después de utilizarlo, apague TrapMaster Pro y límpielo adecuadamente para eliminar el polvo y la suciedad. Use un paño húmedo con un poco de detergente suave. No sumerja TrapMaster Pro en agua. Seque con cuidado TrapMaster Pro después de limpiarlo. Una vez limpio, guarde TrapMaster Pro en un lugar seguro y seco. No guarde TrapMaster Pro en una zona húmeda durante periodos prolongados.

7 Solución de problemas

7.1 Identificación de averías generales y solución de problemas

Si se detecta alguna irregularidad durante su utilización, deberá inspeccionarse cuando antes. Una rápida intervención y corrección evitará situaciones peligrosas y el desgaste y tensión de la máquina. Si TrapMaster Pro no funciona bien después de apagarlo y reiniciarlo unas cuantas veces, envíela a nuestra dirección de fabricación.

En caso de errores repetitivos por una avería desconocida, se deberá hacer una inspección general de la máquina. Si persiste el problema, contacte con el fabricante por teléfono o correo electrónico, exponiendo el problema.

8 Eliminación

Este producto está sujeto a la Directiva 2012/19/UE sobre eliminación de residuos de equipos electrónicos y eléctricos y la Directiva 2006/66/CE sobre baterías y acumuladores y residuos de baterías y acumuladores.

El símbolo indica que este producto, junto con su batería, no debe desecharse como basura doméstica. Las baterías y los equipos eléctricos y electrónicos contienen sustancias que pueden perjudicar a la salud y al entorno si no se reciclan correctamente. Es su responsabilidad llevar el producto a un punto limpio designado para su reciclaje. Al hacer esto, contribuye a evitar que estos productos afecten de manera negativa a la naturaleza y medio ambiente y a proteger la salud de las personas. Para más información, contacte con su ayuntamiento o punto limpio más cercano.

Batería integrada: La batería incorporada es de iones de litio. No desmote el producto para su eliminación. Esto requiere de un conocimiento especial para hacerlo de manera segura.



9 Copia de la declaración CE de conformidad

Declaración CE de conformidad
2006/42/EF apéndice II A

Fabricante y editor de la ficha técnica:

Nombre: Nordic Clays ApS
Dirección: Rolighedsvej 9, 1. TV
Código postal y ciudad: DK-1958 Frederiksberg C

Por la presente declaro que la máquina:

- TrapMaster Pro

Se ha fabricado de acuerdo con las siguientes directivas comunitarias:

- Directiva 2006/42/CE relativa a las máquinas
- Directiva 2014/30/UE de compatibilidad electromagnética

Friis Arne Petersen

Friis Arne Petersen

CEO

Cargo

Copenhague K

Lugar

14-06-2022

Fecha

Attention !

Il est important de consulter l'ensemble des avertissements de sécurité, des instructions, des illustrations et des caractéristiques, qui accompagnent le lanceur de disques d'argile TrapMaster Pro. Suivez-les attentivement et conservez-les avec le TrapMaster Pro pour toute référence ultérieure.

1 La sécurité

AVERTISSEMENT Veuillez consulter l'ensemble des avertissements de sécurité, instructions, illustrations et caractéristiques fournis avec cet outil électrique.

Le non-respect de toutes les instructions énumérées ci-dessous peut entraîner une électrocution, un incendie et/ou des blessures graves.

Conservez tous les avertissements et instructions pour pouvoir vous y référer ultérieurement.

Le terme « outil électrique » employé dans les avertissements fait référence à votre outil électrique fonctionnant sur secteur (câblé) ou à votre outil électrique fonctionnant sur batterie (sans fil).

La sécurité de la zone de travail

- **Gardez la zone de travail bien propre et bien éclairée.** *Les zones encombrées ou sombres sont propices aux accidents.*
- **N'utilisez pas d'outils électriques dans des environnements explosifs, par exemple en présence de liquides, de gaz ou de poussières inflammables.** *Les outils électriques produisent des étincelles qui peuvent enflammer la poussière ou les fumées.*
- **Éloignez les enfants et les passants lorsque vous utilisez un outil électrique.** *Les distractions peuvent vous faire perdre le contrôle.*

La sécurité électrique

- **Les fiches des outils électriques doivent correspondre à la prise de courant. Ne modifiez jamais la fiche de quelque façon que ce soit. N'utilisez pas d'adaptateur avec des outils électriques mis à la terre (ou mise à la masse).** *Des fiches non modifiées et des prises de courant adaptées réduiront le risque d'électrocution.*
- **Évitez tout contact corporel avec des surfaces mises à la terre ou à la masse, comme les tuyaux, les radiateurs, les cuisinières et les réfrigérateurs.** *Il existe un risque accru d'électrocution si votre corps est mis à la terre ou à la masse.*
- **N'exposez pas les outils électriques à la pluie ou à l'humidité.** *La pénétration d'eau dans un outil électrique augmente le risque d'électrocution.*
- **Ne maltraitez pas le cordon. N'utilisez jamais le cordon pour porter, tirer ou débrancher l'outil électrique.** *Éloignez le cordon de la chaleur, de l'huile, des bords tranchants ou des pièces mobiles. Des cordons endommagés ou emmêlés augmentent le risque d'électrocution.*
- **Lorsque vous utilisez un outil électrique en extérieur, utilisez une rallonge adaptée à une utilisation en extérieur.** *L'utilisation d'un cordon adapté à une utilisation en extérieur réduit le risque d'électrocution.*
- **Si l'utilisation d'un outil électrique dans un endroit humide est inévitable, utilisez une alimentation protégée par un dispositif à courant résiduel (DCR).** *L'utilisation d'un DCR réduit le risque d'électrocution.*

La sécurité personnelle


- **Restez vigilant, regardez ce que vous faites et faites preuve de bon sens lorsque vous utilisez un outil électrique. N'utilisez aucun outil électrique si vous êtes fatigué ou sous l'influence de drogues, d'alcool ou de médicaments.** *Un moment d'inattention lors de l'utilisation d'outils électriques peut entraîner des blessures graves.*
- **Utilisez un équipement de protection individuelle. Portez systématiquement des lunettes de protection.** *Des équipements de protection tels qu'un masque anti-poussière, des chaussures de sécurité antidérapantes, un casque de protection ou des protections auditives utilisés dans des conditions appropriées réduiront les blessures.*
- **Empêchez tout démarrage intempestif. Assurez-vous que l'interrupteur est en position d'arrêt avant de brancher la source d'alimentation et / ou les batteries, de ramasser ou de transporter l'outil.** *Transporter des outils électriques avec le doigt sur l'interrupteur ou mettre sous tension des outils électriques dont l'interrupteur est allumé entraîne des accidents.*
- **Retirez toute clé de réglage ou clé à molette avant de mettre l'outil électrique sous tension.** *Une clé laissée attachée à une partie rotative de l'outil électrique peut entraîner des blessures.*
- **Ne vous penchez pas trop. Gardez toujours une bonne assise et un bon équilibre.** *Cela permet de mieux contrôler l'outil électrique dans des situations inattendues.*
- **Habillez-vous de manière appropriée. Ne portez pas de vêtements amples ni de bijoux. Éloignez vos cheveux et vos vêtements des pièces mobiles.** *Les vêtements amples, les bijoux ou les cheveux longs peuvent se coincer dans les pièces mobiles.*
- **Si des dispositifs sont prévus pour le raccordement d'installations d'extraction et de collecte des poussières, assurez-vous qu'ils sont raccordés et utilisés correctement.** *L'utilisation du récupérateur de poussière peut réduire les risques liés à la poussière.*
- **Ne laissez pas la familiarité acquise par l'utilisation fréquente des outils vous permettre de devenir complaisant et d'ignorer les principes de sécurité des outils.** *Un geste imprudent peut provoquer une blessure grave en une fraction de seconde.*

Utilisation et entretien des outils électriques

- **Ne forcez pas sur l'outil électrique. Utilisez l'outil électrique adapté à votre application.** *L'outil électrique approprié fonctionnera mieux et de manière plus sûre, au rythme pour lequel il a été conçu.*

- **N'utilisez pas l'outil électrique si l'interrupteur ne permet pas de le mettre en marche et de l'arrêter.** *Tout outil électrique qui ne peut pas être contrôlé par l'interrupteur est dangereux et doit être réparé.*
- **Débranchez la fiche de la source d'alimentation et / ou retirez les batteries, si elles sont détachables, de l'outil électrique avant d'effectuer tout réglage, de changer d'accessoire ou de ranger les outils électriques.** *Ces mesures de sécurité préventives réduisent le risque de démarrage accidentel de l'outil électrique.*
- **Rangez les outils électriques inactifs hors de portée des enfants et ne laissez pas les personnes qui ne connaissent pas l'outil électrique ou ces instructions utiliser l'outil électrique.** *Les outils électriques sont dangereux entre les mains d'utilisateurs non formés.*
- **Entretenez les outils électriques et les accessoires.** *Vérifiez que les pièces mobiles ne sont pas mal alignées, qu'elles ne sont pas coincées, qu'elles ne sont pas cassées et qu'aucune autre condition ne risque d'affecter le fonctionnement de l'outil électrique. S'il est endommagé, faites réparer l'outil électrique avant de l'utiliser. De nombreux accidents sont causés par des outils électriques mal entretenus.*
- **Gardez les outils de découpage affûtés et propres.** *Des outils de découpage correctement entretenus et aux bords tranchants sont moins susceptibles de se bloquer et sont plus faciles à contrôler.*
- **Utilisez l'outil électrique, les accessoires et les embouts, etc. conformément à ces instructions, en tenant compte des conditions de travail et du travail à effectuer.** *L'utilisation de l'outil électrique pour des opérations différentes de celles prévues peut entraîner une situation dangereuse.*
- **Gardez les poignées et les surfaces de préhension sèches, propres et exemptes d'huile et de graisse.** *Les poignées et les surfaces de préhension glissantes ne permettent pas de manipuler et de contrôler l'outil en toute sécurité dans des situations inattendues.*


L'utilisation et l'entretien des batteries

- **Rechargez les batteries uniquement avec le chargeur indiqué par le fabricant.** *Un chargeur adapté à un type particulier de batteries peut créer un risque d'incendie lorsqu'il est utilisé avec un autre type de batteries.*
- **N'utilisez les outils électriques qu'avec des batteries spécifiquement désignés.** *L'utilisation de toute autre batterie peut entraîner un risque de blessure et d'incendie.*
- **Lorsque la batterie n'est pas utilisée, éloignez-la d'autres objets métalliques, comme des trombones, des pièces de monnaie, des clés, des clous, des vis ou d'autres petits objets métalliques, qui peuvent établir une connexion d'une borne à l'autre.** *La mise en court-circuit des bornes de la batterie peut provoquer des brûlures ou un incendie.*
- **Dans des conditions abusives, du liquide peut être éjecté de la batterie ; évitez tout contact avec celui-ci.** *En cas de contact accidentel, rincez à l'eau. Si le liquide entre en contact avec les yeux, consultez également un médecin. Le liquide éjecté de la batterie peut provoquer des irritations ou des brûlures.*
- **N'utilisez pas une batterie ou un outil endommagé ou modifié.** *Les batteries endommagées ou modifiées peuvent avoir un comportement imprévisible et provoquer un incendie, une explosion ou présenter un risque de blessure.*
-  **N'exposez pas une batterie ou un outil au feu ou à une température excessive.** *L'exposition au feu ou à une température supérieure à 130 °C peut provoquer une explosion.*
- **Suivez toutes les instructions de recharge et ne rechargez pas la batterie ou l'outil en dehors de la plage de température spécifiée dans les instructions.** *Une charge inappropriée ou à des températures hors de la plage spécifiée peut endommager la batterie et augmenter le risque d'incendie.*

La maintenance

- **Faites réparer votre outil électrique par un réparateur qualifié en utilisant uniquement des pièces de rechange identiques.** *Cela permet de garantir la sécurité de l'outil électrique.*
- **Ne réparez jamais des batteries endommagées.** *L'entretien des batteries doit être effectué uniquement par le fabricant ou par des prestataires de services agréés.*

Avertissements de sécurité relatifs à TrapMaster Pro

- **Ne jouez jamais avec le TrapMaster Pro. Ne pointez jamais et ne visez jamais une personne ou un animal. N'utilisez le TrapMaster Pro qu'à l'extérieur et dans des espaces ouverts.** *Tirez systématiquement en l'air.*
- **N'utilisez le TrapMaster Pro que sur des champs de tir permanents ou temporaires.** *Les cibles d'argile usagées, qu'elles soient entièrement intactes ou en morceaux, ne doivent pas être laissées dans des zones privées ou publiques où des personnes, des enfants, des animaux ou du bétail peuvent entrer en contact avec elles par hasard.*
-  **En plus de la protection des yeux, utilisez systématiquement une protection auditive, lorsque le TrapMaster Pro est utilisé à proximité de tireurs.** *La protection des yeux est importante en raison des dangers que peut présenter le TrapMaster Pro et le bruit provenant des tirs peut nuire à votre audition.*
- **Tenez toujours fermement le TrapMaster Pro avec le bras tendu pointant dans la direction de la trajectoire prévue de la ou des cibles en argile.** *Cela permettra d'avoir une indication claire quant à la trajectoire. Un bras plié peut avoir pour conséquence que la cible d'argile sorte du TrapMaster Pro à une distance dangereuse, trop près de l'utilisateur du TrapMaster Pro et des personnes à proximité.*
- **Ne visez jamais des personnes ou des animaux vivants et ne pointez pas ni ne tirez sur ceux-ci.** *Tirez systématiquement en l'air. Il est impératif d'avoir une vue dégagée de 40 degrés à gauche et à droite de l'orientation de tir du TrapMaster*

Pro. C'est ainsi que l'utilisateur du TrapMaster Pro pourra observer les personnes, les animaux et le bétail qui, par hasard, peuvent entrer dans la zone de tir et, par conséquent, ne pas déclencher un nouveau tir.

- N'essayez jamais d'arrêter l'argile en rotation à la main ou en tenant un objet devant le TrapMaster Pro, lorsque le bouton rouge de tir a été enfoncé. Au lieu de cela, arrêtez l'argile en éteignant le TrapMaster Pro en appuyant sur le bouton d'alimentation. La cible en argile est fragile et se brisera si elle touche quelque chose. Les éclats peuvent avoir des bords tranchants et risquent de causer des dommages.
- Avant d'appuyer sur le bouton rouge de tir, assurez-vous systématiquement que personne ne se trouve sur le chemin et que les distances de sécurité sont respectées par toutes les personnes à proximité. Assurez-vous que tout le monde est attentif à la personne qui tire avec le TrapMaster Pro.
- Utilisez uniquement les cibles en argile originales du fabricant du TrapMaster Pro, Nordic Clays. D'autres cibles en argile ayant une force, un poids, un équilibre, un effet de propulsion, etc. différents peuvent engendrer des dangers imprévus et endommager le TrapMaster Pro.

Les distances de sécurité

- Lors du lancement d'un plateau, aucune personne, aucun animal ou bétail ne peut se trouver devant l'utilisateur du TrapMaster Pro dans un rayon de 120 mètres ou dans une zone rectangulaire de 2,0 m à gauche, 2,0 m à droite et 1,0 m derrière. L'objectif est de protéger les personnes se trouvant à proximité contre les éclats d'argile au cas où elle se briserait au moment du tir ou immédiatement après.

Les utilisateurs

- Les adultes qui ont lu et compris le manuel d'instructions et qui ont ainsi acquis des connaissances sur le fonctionnement du TrapMaster Pro ainsi que sur les consignes de sécurité, etc. doivent avoir un bon état physique et mental, ainsi qu'une vue et une ouïe normales, éventuellement grâce à des lunettes ou un appareil auditif.
- Seules les personnes de plus de 16 ans sont autorisées à utiliser le TrapMaster Pro. Les jeunes âgés de 16 à 17 ans doivent être supervisés par des utilisateurs expérimentés et remplir les conditions requises pour les utilisateurs adultes. La tranche d'âge des 16-17 ans peut faire preuve de plus ou moins d'aisance et avoir une faible conscience des risques.

2 Un aperçu du produit

2.1 Le fabricant

Nordic Clays ApS
Rolighedsvej 9, 1. TV
DK-1958 Frederiksberg C
Téléphone : +45 29 88 22 93
Courriel : info@nordicclays.com
www.nordicclays.com

2.2 Dénomination du lanceur d'argile

La dénomination complète : TrapMaster Pro 1.0

2.3 L'usage prévu

La machine est conçue pour être tenue vers l'avant avec le bras tendu afin de lancer des disques circulaires en matériau biosourcé, qui servent de cibles en argile pour le tir au pigeon.

2.4 Les applications interdites

Le TrapMaster Pro ne doit être utilisé que conformément à son usage prévu. L'utilisateur ne doit jamais démonter le TrapMaster Pro, cela aurait pour effet d'annuler la garantie.

2.5 Les composants illustrés

La numérotation des composants illustrés fait référence à l'illustration de l'outil électrique en page 2.

- 34: Interrupteur d'alimentation (On/Off)
- 35: Indicateur LED du niveau de la batterie
 - a. Niveaux de la batterie :
 - i. Vert = 33 - 100 %.
 - ii. Rouge = 0 - 33 %.
- 36: Batterie rechargeable intégrée (Li-Ion)

- 37: Prise pour chargeur de batterie
- 38: LED indiquant la recharge
 - a. Lumière rouge = charge
 - b. Pas de lumière = charge complète.
- 39: Régulateur de puissance par paliers (étapes 0 - 9)
 - a. 9 étant la vitesse la plus élevée
 - b. 0 étant la vitesse la plus faible
- 40: Conduit
- 41: Bouton bleu de charge pour verrouiller la ou les cibles en argile dans le conduit
 - a. Si les pinces sont dehors, le bouton peut être maintenu enfoncé pour les remettre en place.
 - i. Lorsque le bouton est maintenu enfoncé, le bouton rouge (9) ne fonctionne pas.
 - b. Vous pouvez également redémarrer la machine, pour remettre les pinces en place.
- 42: Bouton rouge de tir pour lancer la ou les cibles en argile
- 43: Poignée
- 44: Cible en argile
 - a. Peut être chargée dans le conduit dans les deux sens (7)

2.6 Le fonctionnement du TrapMaster Pro

Le TrapMaster Pro est mis en marche par l'interrupteur (1), la ou les cibles en argile (11) sont installées dans le conduit (7), les trois « pinces » sont activées par le bouton bleu de charge (8), le tir et l'accélération du ou des cibles en argile sont activées par le bouton rouge de tir(9). Lorsque la vitesse de rotation de la ou des cibles en argile correspond au réglage du régulateur de puissance par paliers (6), le conduit se déplace un peu vers l'avant en même temps que les pinces se rétractent. La ou les cibles en argile s'envolent alors du TrapMaster Pro. La rotation du conduit s'arrête peu de temps après. Lorsque le conduit s'arrête de tourner, le TrapMaster Pro est prêt à recommencer le processus.

2.7 Les spécifications techniques

2.7.1 Poids

2,0 kg.

2.7.2 Alimentation électrique

Tension nominale : 15 V CC

Courant de charge maximal : 1,2 A

Chargeur recommandé : TDX-1501200

2.8 Émission, bruit

Le niveau de pression acoustique d'émission pondéré A, LpA, produit par le TrapMaster Pro ne dépasse pas 70 dB(A).

2.9 Les conditions de fonctionnement et de stockage

En extérieur avec une bonne visibilité sur les champs de tir aux pigeons d'argile permanents ou temporaires.

L'atmosphère	
Plage de température ambiante autorisée pendant le fonctionnement et le stockage.	De -10 à +40°C
Plage de température ambiante recommandée pour un stockage de longue durée (plus de 3 mois).	20 ±5°C
Plage de température ambiante recommandée pendant la charge.	0 à +35°C
Humidité relative autorisée (sans condensation)	20 % minimum

	90 % maximum
Humidité relative recommandée pour un stockage de longue durée (plus de 3 mois).	65 ±20 %
Compatibilité électromagnétique	B, (propriétés résidentielles, sites d'industrie légère ou zones comparables)

2.10 La durée de vie prévue de la machine

Le TrapMaster Pro est censé fonctionner pendant 5 ans. Après les 5 ans, le TrapMaster Pro doit faire l'objet d'une maintenance ou d'une remise en état lors d'une révision par le fabricant.

3 La recharge

Utilisez uniquement le chargeur indiqué dans la section « Alimentation électrique » ou un chargeur aux spécifications identiques.

Si l'indicateur LED (2) ne s'allume pas après avoir allumé le TrapMaster Pro, cela signifie que la batterie est vide et doit être rechargée. Lorsque le voyant lumineux est rouge, la capacité de la batterie est inférieure à 33 %. Le voyant lumineux doit être soit vert, jaune ou rouge pour que le TrapMaster Pro soit prêt et fonctionnel.

Pour recharger le TrapMaster Pro :

- Retirer le couvercle de protection (4)
- Branchez la petite fiche du chargeur
- Branchez le chargeur sur la prise murale
- Vérifiez que la LED rouge indiquant la recharge (5) s'allume, ce qui indique qu'il est en train d'être rechargé.
- Laissez la recharge se poursuivre jusqu'à ce que la LED indiquant la recharge s'éteigne, ce qui signifie que la recharge est terminée.
- Débranchez le chargeur de la prise murale, puis du TrapMaster Pro.
- Remettez le couvercle de protection dans la fiche (4).

Le TrapMaster Pro doit toujours être éteint pendant la recharge.

Pendant la recharge, évitez de couvrir le chargeur de la batterie ou la partie de la batterie du TrapMaster Pro située sous la poignée et veillez à garder une bonne ventilation.

4 L'exploitation

L'exploitation de la machine doit être conforme à l'usage prévu de la machine. Voir la section 2.4 Usage prévu.

4.1 Les risques et dangers

Tous les utilisateurs doivent avoir passé en revue tous les aspects de sécurité décrits dans la section 1. La sécurité avant d'utiliser la machine pour la première fois.

4.2 Les commandes

Le TrapMaster Pro est commandé manuellement par l'interrupteur d'alimentation (1), le régulateur de puissance par paliers (6), le bouton bleu de charge pour verrouiller la ou les cibles en argile (8) et le bouton rouge de tir(9). Les numéros se réfèrent à la section 2.6 Les caractéristiques du TrapMaster Pro.

4.3 Les modes d'exploitation

- Exploitation manuelle : L'utilisateur fixe une ou plusieurs cible en argile au niveau du conduit (7) en activant le bouton bleu de charge (8) et le déclenche en appuyant sur le bouton rouge de tir (9). Ces étapes sont répétées à plusieurs reprises. Les numéros se réfèrent à la section 2.6 Les caractéristiques du TrapMaster Pro.
- Recharge : L'utilisateur recharge la batterie rechargeable intégrée en utilisant le chargeur de batterie inclus.

4.4 Démarrage

Chaque fois que vous commencez à utiliser le TrapMaster Pro après l'avoir mis de côté, même pour une courte période, vous devez vérifier que l'interrupteur d'alimentation agit comme un bouton d'arrêt d'urgence. Pour savoir comment procéder, voir la section 5 « Inspection et tests du TrapMaster Pro ».

Avant d'utiliser le TrapMaster Pro, l'utilisateur doit également s'assurer des points suivants :

- La présence d'une base solide
- La présence d'une vue dégagée de 40 degrés à gauche et à droite de l'orientation de tir.
- L'absence de personnes situées dans les angles susmentionnés.

4.5 Le montage et le tir d'une ou plusieurs cibles en argile

- Prenez une ou plusieurs nouvelles cibles en argile(11).
- Vérifiez que la ou les cibles en argile sont intactes et non endommagées, sinon, jetez-les et prenez-en d'autre.
- Allumez le TrapMaster Pro à l'aide de l'interrupteur (1).
- Attendez que le voyant lumineux (2) s'allume et que le son de démarrage retentisse.
 - Trois bips rapides et un long.
- Tout en tenant le TrapMaster Pro dans votre main, inclinez le TrapMaster Pro de 90° vers l'arrière, de sorte que le conduit (7) soit dirigé vers le haut et soit horizontal.
- Placez le cible en argile dans le conduit (7) de façon à ce que la ou les cibles en argile reposent sur le point d'arrêt.
- Appuyez sur le bouton bleu de charge (8) pour verrouiller la ou les cibles en argile dans le conduit.
 - Si par erreur vous appuyez sur le bouton, avant de placer la ou les cibles en argile, appuyez alors sur le bouton et maintenez-le enfoncé jusqu'à ce que vous ayez placé la ou les cibles en argile dans le conduit.
- Soyez attentif au petit son court indiquant que la ou les cibles en argile sont verrouillées dans le conduit.
- Vérifiez à nouveau qu'il y ait une bonne assise et qu'aucune personne ne se trouve dans les zones dangereuses.
- Appuyez sur le bouton rouge de tir (9), la cible en argile commence à accélérer et quitte le TrapMaster Pro 2 à 3 secondes plus tard.
- Lorsque la rotation du conduit s'est arrêtée, le TrapMaster Pro est prêt pour une ou plusieurs nouvelles cible en argile et vous pouvez répéter les étapes ou l'éteindre en appuyant sur l'interrupteur (1).

4.6 Les situations d'urgence

Des situations dangereuses peuvent se produire en cours d'utilisation et il est nécessaire d'arrêter immédiatement le TrapMaster Pro. Si une telle situation se produit, éteignez-le à l'aide de l'interrupteur d'alimentation (1).

Les situations suivantes peuvent nécessiter un arrêt d'urgence du TrapMaster Pro :

- Une situation dangereuse
- L'apparition de conditions inconnues soudaines, par exemple des bruits anormaux (grondement, cliquetis, grésillement), des vibrations ou de la chaleur. Dans ce cas, l'utilisateur doit vérifier que le TrapMaster Pro ne présente pas de défauts ou de défaillances avant de le remettre en marche.

4.7 L'élimination des déchets résultants de l'exploitation

Après avoir tiré une ou plusieurs cibles en argile, veillez systématiquement à emporter vos déchets avec vous, afin de laissez la nature dans le même état que vous l'avez trouvé en arrivant.

4.8 Le transport

Utilisez systématiquement la valise livrée avec le TrapMaster Pro lorsque vous transportez ou stockez le TrapMaster Pro.

La batterie Li-Ion intégrée est soumise aux exigences de la législation relative aux marchandises dangereuses. La batterie est compatible avec un transport routier par l'utilisateur sans autre restriction.

En cas de transport par l'intermédiaire de tiers (par exemple : par transport aérien ou par colis postal), des exigences particulières en matière d'emballage et d'étiquetage doivent être respectées. Pour la préparation de l'article, consultez l'entreprise que vous avez l'intention d'employer. Soyez conscient de la possibilité de réglementations nationales plus détaillées.

5 L'entretien et la maintenance

Il n'existe aucune pièces remplaçables par l'utilisateur.

Inspection et tests du TrapMaster Pro

Composant/ pièce de la ma- chine :	Fréquence :	Méthode à suivre :	Acceptation/ non-acceptation :	Action :	I/T/M <small>I = Inspection T = Test M = Mesure</small>
Inspection et tests relatifs à la sécurité :					
L'interrupteur d'alimentation à utiliser comme arrêt d'urgence.	Chaque fois que TrapMaster Pro a été mis de côté, même pour une courte période, et au moins une fois par an.	Suivez les instructions de la section « Montage et tir d'une ou plusieurs cibles en argile », mais sans cible en argile. Dans la seconde qui suit le démarrage du moteur, éteignez la machine en appuyant sur l'interrupteur.	Le moteur doit s'arrêter immédiatement.	En cas de panne, le TrapMaster Pro doit être réparé, après quoi la fonction doit être à nouveau testée.	I/T

6 Nettoyage

Gardez le TrapMaster Pro propre. Après toute utilisation, éteignez le TrapMaster Pro et nettoyez-le correctement pour éliminer la poussière et la saleté. Utilisez un chiffon humide avec un peu de détergent doux. Ne trempez pas le TrapMaster Pro dans l'eau. Séchez délicatement le TrapMaster Pro après chaque nettoyage. Après le nettoyage, stockez le TrapMaster Pro dans un environnement sec et sûr. Le TrapMaster Pro ne doit pas être stocké dans un endroit humide et mouillé pendant une longue période.

7 Résolution des problèmes

7.1 Résolution des problèmes et identification générale des pannes

Lorsque des irrégularités sont détectées pendant le fonctionnement de la machine, une enquête doit être menée dans les plus brefs délais. En intervenant et en remédiant rapidement aux irrégularités, une situation dangereuse peut être évitée ainsi qu'une usure inutile de la machine. Si le TrapMaster Pro ne fonctionne pas correctement après avoir été éteint et redémarré plusieurs fois, la machine doit être envoyée à notre adresse de fabrication.

En cas d'erreurs répétitives dues à un défaut inconnu, une inspection globale de la machine doit être effectuée. Si les problèmes persistent, contactez le fabricant par téléphone ou par courriel, en exposant vos difficultés.

8 Élimination

Ce produit est soumis à la directive 2012/19/UE relative aux déchets d'équipements électriques et électroniques (DEEE) et à la directive 2006/66/CE relative aux piles et accumulateurs et aux déchets de piles et d'accumulateurs.

Le symbole indique que ce produit, y compris la batterie, ne doit pas être jeté avec les autres déchets ménagers. Les batteries et les équipements électriques et électroniques contiennent des substances pouvant nuire à la santé humaine et à l'environnement si elles ne sont pas correctement recyclées. Il est de votre responsabilité de remettre ce produit à un point de collecte DEEE local désigné pour le recyclage. En les remettant à un centre de recyclage approprié, vous contribuez à éviter que ces produits ne sollicitent inutilement la nature et l'environnement et à protéger ainsi la santé humaine. Pour plus d'informations, veuillez contacter votre bureau municipal local ou votre service d'élimination des déchets ménagers.



La batterie intégrée : La batterie intégrée est de type Li-Ion. Ne démontez pas le produit pour le mettre au rebut. Cela nécessite des connaissances particulières pour le faire en toute sécurité.

Déclaration de conformité CE
2006/42/EF annexe II A

Fabricant et auteur du dossier technique :

Nom : Nordic Clays ApS
Adresse : Rolighedsvej 9, 1. TV
Code postal et ville : DK-1958 Frederiksberg C

Déclare par la présente que la machine de type :

- TrapMaster Pro

Est fabriqué conformément aux directives communautaires suivantes :

- 2006/42/EF Directive sur les machines
- 2014/30/EU Directive CEM



Friis Arne Petersen

PDG

Fonction

Copenhague K

Lieu

14-06-2022

Date

Attenzione!

Leggere tutte le avvertenze, le istruzioni, le illustrazioni e le specifiche fornite con il lanciatore di piattelli d'argilla TrapMaster Pro. Seguirle attentamente e conservarle insieme al TrapMaster Pro per un riferimento futuro.

1 Sicurezza

AVVERTENZA Leggere tutte le avvertenze, le istruzioni, le illustrazioni e le specifiche fornite con questo utensile elettrico.

La mancata osservanza di tutte le istruzioni elencate di seguito può causare scosse elettriche, incendi e/o lesioni gravi. Salvare tutte le avvertenze e le istruzioni per un riferimento futuro.

Il termine "utensile elettrico" nelle avvertenze si riferisce all'utensile elettrico azionato tramite rete elettrica (con cavo) o all'utensile elettrico a batteria (senza fili).

Sicurezza dell'area di lavoro

- **Mantenere l'area di lavoro pulita e ben illuminata.** *Le aree ingombre o prive di luce favoriscono l'insorgenza di incidenti.*
- **Non utilizzare gli utensili elettrici in atmosfere esplosive, ad esempio in presenza di liquidi, gas o polveri infiammabili.** *Gli utensili elettrici creano scintille che possono incendiare polveri o fumi.*
- **Tenere lontani i bambini e gli astanti durante l'utilizzo di un utensile elettrico.** *Eventuali distrazioni possono far perdere il controllo.*

Sicurezza elettrica

- **Le spine degli utensili elettrici devono essere adatte alle prese disponibili. Non modificare mai la spina in alcun modo. Non utilizzare adattatori con utensili elettrici con messa a terra.** *L'utilizzo di spine non modificate e di prese adatte riduce il rischio di scosse elettriche.*
- **Evitare il contatto del corpo con superfici messe a terra, come tubature, radiatori, cucine e frigoriferi.** *Il rischio di scosse elettriche è maggiore se il corpo è messo a terra.*
- **Non esporre gli utensili elettrici alla pioggia o all'umidità.** *L'esposizione all'acqua di un utensile elettrico aumenta il rischio di scosse elettriche.*
- **Non usare il cavo in modo improprio. Non utilizzare mai il cavo per trasportare, tirare o scollegare l'utensile elettrico. Tenere il cavo lontano da fonti di calore, olio, spigoli vivi o parti mobili.** *I cavi danneggiati o aggrovigliati aumentano il rischio di scosse elettriche.*
- **Quando si usa un utensile elettrico all'aperto, utilizzare una prolunga adatta per l'uso all'aperto.** *L'uso di un cavo adatto per l'uso all'aperto riduce il rischio di scosse elettriche.*
- **Se è inevitabile azionare un utensile elettrico in un luogo umido, utilizzare un'alimentazione protetta da un dispositivo di corrente residua (RCD).** *L'uso di un RCD riduce il rischio di scosse elettriche.*

Sicurezza personale


- **Fare attenzione, osservare ciò che si sta facendo e usare il buon senso quando si utilizza un utensile elettrico. Non utilizzare un utensile elettrico quando si è stanchi o sotto l'effetto di droghe, alcol o farmaci.** *Un momento di disattenzione durante l'utilizzo di utensili elettrici può causare gravi lesioni personali.*
- **Utilizzare dispositivi di protezione individuale. Indossare sempre una protezione per gli occhi.** *I dispositivi di protezione come maschere anti-polvere, scarpe di sicurezza antiscivolo, elmetti o protezioni per l'udito utilizzati in condizioni adeguate riducono il rischio di lesioni personali.*
- **Impedire l'avvio involontario. Assicurarsi che l'interruttore sia in posizione off prima di collegare l'utensile alla fonte di alimentazione e/o alla batteria, sollevarlo o trasportarlo.** *Il trasporto di utensili elettrici mentre si tiene il dito sull'interruttore o la connessione a una presa di corrente mentre l'interruttore è acceso può provocare incidenti.*
- **Rimuovere eventuali chiavi di regolazione o chiavi inglesi prima di accendere l'utensile elettrico.** *Una chiave inglese o una chiave attaccata a una parte rotante dell'utensile elettrico può causare lesioni personali.*
- **Non spingersi troppo in avanti. Mantenere sempre posizione ed equilibrio adeguati.** *Ciò consente un miglior controllo dell'utensile elettrico in situazioni impreviste.*
- **Vestirsi in modo adeguato. Non indossare abiti larghi o gioielli. Tenere i capelli e gli indumenti lontani dalle parti in movimento.** *Abiti larghi, gioielli e capelli lunghi possono rimanere impigliati nelle parti in movimento.*
- **Se sono previsti dispositivi per il collegamento di impianti di aspirazione e raccolta della polvere, assicurarsi che siano collegati e utilizzati correttamente.** *Aspirare via la polvere può ridurre i rischi legati alla presenza di polvere.*
- **Non lasciare che la familiarità derivante dall'uso frequente di un utensile permetta di diventare compiacenti ed ignorare i principi di sicurezza.** *Un'azione negligente può causare gravi lesioni in una frazione di secondo.*

Uso e cura degli utensili elettrici

- **Non forzare l'utensile elettrico. Utilizzare l'utensile elettrico corretto per le proprie esigenze.** *L'utensile elettrico corretto fa un lavoro migliore e più sicuro alla velocità per cui è stato progettato.*
- **Non utilizzare l'utensile elettrico se l'interruttore non lo accende e non lo spegne.** *Un utensile elettrico che non può essere controllato con un interruttore è pericoloso e deve essere riparato.*
- **Scollegare la spina dalla presa di corrente e/o rimuovere il pacco batteria, se staccabile, dall'utensile elettrico prima di effettuare qualsiasi regolazione, cambiare gli accessori o riporre gli utensili elettrici.** *Tali misure preventive di sicurezza riducono il rischio di avviamento accidentale dell'utensile elettrico.*

- **Conservare gli utensili elettrici inattivi fuori dalla portata dei bambini e non consentire a persone che non hanno familiarità con l'utensile elettrico o con queste istruzioni di azionarlo.** *Gli utensili elettrici sono pericolosi se in mano ad utenti non addestrati.*
- **Manutenzione di utensili elettrici e accessori.** Verificare la presenza di disallineamenti o inceppamenti di parti mobili, rottura di parti e qualsiasi altra condizione che possa influire sul funzionamento dell'utensile elettrico. Se danneggiato, far riparare l'utensile elettrico prima dell'uso. *Molti incidenti sono causati da utensili elettrici mal tenuti.*
- **Mantenere gli strumenti da taglio affilati e puliti.** *Gli utensili da taglio correttamente mantenuti con bordi affilati hanno meno probabilità di legarsi e sono più facili da controllare.*
- **Utilizzare l'utensile elettrico, gli accessori e le punte degli utensili ecc. in conformità con queste istruzioni, tenendo conto delle condizioni di lavoro e del lavoro da eseguire.** *L'uso dell'utensile elettrico per operazioni diverse da quelle previste potrebbe creare una situazione di pericolo.*
- **Mantenere le maniglie e le superfici di presa asciutte, pulite e prive di olio e grasso.** *Impugnatura e superfici di presa scivolose non consentono la manipolazione e il controllo sicuro dell'utensile in situazioni impreviste.*


Uso e cura degli utensili a batteria

- **Ricaricare solo con il caricabatteria specificato dal produttore.** *Un caricabatteria adatto a un certo tipo di batteria può comportare un rischio di incendio se utilizzato con un'altra batteria.*
- **Utilizzare gli utensili elettrici solo con pacchi batteria appositamente designati.** *L'uso di pacchi batteria diversi da quelli designati può comportare il rischio di lesioni e incendi.*
- **Quando il pacco batteria non è in uso, tenerlo lontano da altri oggetti metallici come graffette, monete, chiavi, chiodi, viti o altri piccoli oggetti metallici che possono stabilire una connessione da un terminale all'altro.** *Un cortocircuito tra i terminali della batteria può causare ustioni o incendi.*
- **In condizioni di utilizzo improprio, la batteria può espellere liquidi; evitare il contatto con essi.** *In caso di contatto accidentale, sciacquare con acqua. Se il liquido della batteria entra in contatto con gli occhi, consultare un medico. Il liquido espulso dalla batteria può causare irritazioni o ustioni.*
- **Non utilizzare pacchi batteria o utensili danneggiati o modificati.** *Le batterie danneggiate o modificate possono mostrare un comportamento imprevedibile con conseguente rischio di incendi, esplosioni o lesioni.*
-  **Non esporre batterie o utensili al fuoco o a temperature eccessive.** *L'esposizione al fuoco o a temperature superiori a 130°C può causare esplosioni.*
- **Seguire le istruzioni per la ricarica e non caricare batterie o utensili al di fuori dell'intervallo di temperatura specificato nelle istruzioni.** *Una carica inadeguata o a temperature al di fuori dell'intervallo specificato può danneggiare la batteria e aumentare il rischio di incendi.*

Riparazione

- **L'utensile elettrico può essere riparato solamente da personale qualificato e utilizzando solo parti di ricambio identiche.** *Ciò garantisce il mantenimento della sicurezza dell'utensile elettrico.*
- **Non eseguire mai la manutenzione di pacchi batteria danneggiati.** *La manutenzione dei pacchi batteria deve essere eseguita solo dal produttore o da fornitori di servizi autorizzati.*

Avvertenze per la sicurezza TrapMaster Pro

- **Non giocare mai con il TrapMaster Pro. Non puntare o mirare mai a persone o animali. Utilizzare il TrapMaster Pro solo all'aperto e in spazi aperti.** *Sparare sempre in aria.*
- **Utilizzare il TrapMaster Pro solo in poligoni di tiro permanenti o temporanei.** *I piattelli di argilla usati, che siano completamente integri o a pezzi, non devono essere lasciati in aree private o pubbliche dove persone, bambini, animali o bestiame possono entrare a contatto con essi.*
-  **Oltre alla protezione per gli occhi, utilizzare sempre una protezione per l'udito quando il TrapMaster Pro viene utilizzato vicino ad altri tiratori.** *La protezione per gli occhi è importante a causa dei pericoli potenzialmente causati dal TrapMaster Pro e il rumore dello sparo può danneggiare l'udito.*
- **Tenere sempre il TrapMaster Pro saldamente e con il braccio dritto rivolto nella direzione della traiettoria prevista per i piattelli di argilla.** *Ciò garantisce una chiara indicazione della traiettoria. Tenere il braccio piegato può far sì che il piattello di argilla esca dal TrapMaster Pro a una distanza non sicura troppo vicino all'utente del TrapMaster Pro e alle persone nelle vicinanze.*

Non mirare, puntare o sparare a persone o animali vivi. Sparare sempre in aria. È obbligatorio avere un campo visivo di 40 gradi a sinistra e a destra della direzione di mira del TrapMaster Pro. *Ciò garantisce che l'utente del TrapMaster Pro possa osservare persone, animali e bestiame che potrebbero entrare nell'area di tiro e di conseguenza non sparare di nuovo.*

- **Non tentare mai di fermare i piattelli di argilla rotanti con le mani o con oggetti posizionati davanti al TrapMaster Pro dopo che è stato premuto il pulsante rosso per sparare. Fermare i piattelli solamente spegnendo il TrapMaster Pro con il pulsante di accensione.** *I piattelli di argilla sono fragili e si scheggiano se colpiscono qualcosa. Le schegge possono avere spigoli vivi e causare danni.*

- Prima di premere il pulsante rosso per sparare, assicurarsi sempre che non ci siano ostacoli e che le distanze di sicurezza siano mantenute da chiunque si trovi nelle vicinanze. Assicurarsi che tutti siano a conoscenza del fatto che si stia sparando con il TrapMaster Pro.
- Utilizzare solo piattelli in argilla originali per TrapMaster Pro prodotti da Nordic Clays. Altri piattelli in argilla con diversa forza, peso, equilibrio, effetto propellente, ecc. possono creare pericoli imprevisti e distruggere il TrapMaster Pro.

Distanze di sicurezza

- Quando si lancia un piattello d'argilla, eventuali persone, animali o bestiame devono trovarsi davanti all'utente del TrapMaster Pro a una distanza non inferiore a 120 metri o a non meno di 2m a sinistra, 2m a destra e 1m dietro all'utente stesso. Questo serve a proteggere dalle schegge, nel caso in cui un piattello si rompa al momento del lancio o subito dopo.

Utenti

- Gli adulti che hanno letto e compreso il manuale di istruzioni e quindi acquisito conoscenza del funzionamento del TrapMaster Pro nonché delle istruzioni di sicurezza, ecc. devono essere in buone condizioni fisiche e mentali, nonché avere vista e udito normali e utilizzare protezioni per occhi/udito.
- Il TrapMaster Pro può essere solo utilizzato dai maggiori di 16 anni. Le persone di età compresa tra i 16 e i 17 anni devono essere sotto la supervisione di utenti esperti e soddisfare i requisiti obbligatori per gli utenti adulti. Le persone di età compresa tra i 16 e i 17 anni possono avere scarsa consapevolezza dei rischi.

2 Panoramica del Prodotto

2.1 Produttore

Nordic Clays ApS
 Rolighedsvej 9, 1. TV,
 DK-1958 Frederiksberg C
 Telefono: +45 29 88 22 93
 E-mail: info@nordicclays.com
www.nordicclays.com

2.2 Denominazione del lanciatore di piattelli di argilla

Denominazione completa: TrapMaster Pro 1.0

2.3 Uso previsto

Questo prodotto è progettato per essere tenuto in avanti con il braccio dritto e lanciare dischi circolari realizzati in materiale biodegradabile che fungono da bersagli per il tiro al piattello.

2.4 Uso vietato

Il TrapMaster Pro può essere utilizzato solo nella modalità di uso prevista. L'utente non può smontare il TrapMaster Pro e ciò annullerebbe la garanzia.

2.5 Componenti illustrati

La numerazione dei componenti si riferisce all'illustrazione dell'utensile elettrico riportata a pagina 2.

- 45: Interruttore di alimentazione (acceso/spento)
- 46: Indicatore LED per i livelli della batteria
 - a. Livelli della batteria:
 - i. Verde = 33-100%
 - ii. Rosso = 0-33%
- 47: Batteria ricaricabile integrata (Li-Ion)
- 48: Presa per caricabatteria
- 49: LED di ricarica
 - a. Luce rossa = in carica
 - b. Nessuna luce = carica completata.
- 50: Regolatore di potenza graduale (livelli 0 – 9)
 - a. 9 è la velocità massima
 - b. 0 è la velocità minima

- 51: Aggancio
- 52: Pulsante di caricamento blu per agganciare il piattello
 - a. Se i ganci sono spinti al di fuori, tenere premuto il pulsante per spingerli di nuovo all'interno.
 - i. Quando si tiene premuto questo pulsante, il pulsante rosso (9) non funziona.
 - b. Per reinserire i ganci si può anche riavviare l'utensile.
- 53: Pulsante rosso per lanciare i piattelli
- 54: Impugnatura
- 55: Piattello in argilla
 - a. Può essere agganciato in entrambe le direzioni (7)

2.6 Funzione del TrapMaster Pro

Il TrapMaster Pro si accende con l'interruttore di alimentazione (1), il piattello (11) va posizionato nell'apposito aggancio (7), i tre ganci sono attivati dal pulsante di caricamento blu (8), i piattelli sono sparati premendo sul pulsante rosso (9). Quando la velocità di rotazione dei piattelli corrisponde all'impostazione del regolatore di potenza graduale (6), il punto di aggancio si sposta leggermente in avanti, i ganci si ritraggono e i piattelli sono sparati fuori dal TrapMaster Pro, mentre la rotazione del punto di aggancio si ferma poco dopo. Quando il punto di aggancio smette di ruotare, il TrapMaster Pro è pronto a ripetere la procedura.

2.7 Specifiche tecniche

2.7.1 Peso

2,0 kg.

2.7.2 Alimentazione elettrica

Tensione nominale: 15 V DC

Corrente di carica massima: 1,2 A

Caricatore consigliato: TDX-1501200

2.8 Emissioni, rumore

Il livello di pressione sonora di emissione ponderato A, LpA, prodotto dal TrapMaster Pro non supera i 70 dB(A).

2.9 Condizioni operative e di conservazione

All'aperto con buona visibilità su poligoni di tiro al piattello permanenti o temporanei.

Ambiente	
Intervallo di temperatura ambiente consentito durante il funzionamento e lo stoccaggio.	Da -10 a +40°C
Intervallo di temperatura ambiente consigliato per una conservazione prolungata (oltre 3 mesi).	20 ±5°C
Intervallo di temperatura ambiente consigliato durante la carica.	Da 0 a +35°C
Umidità relativa consentita (senza condensa)	Min. 20% Max. 90%
Umidità relativa consigliata per lunghi periodi di conservazione (oltre 3 mesi).	65 ±20%
Compatibilità elettromagnetica EMC	B, (immobili residenziali, stabilimenti industriali leggeri o aree simili)

2.10 Durata prevista del prodotto

Il TrapMaster Pro dovrebbe funzionare per 5 anni. Dopo i 5 anni, il TrapMaster Pro deve essere sottoposto a manutenzione o ricondizionato dopo una revisione da parte del produttore.

3 Ricarica

Utilizzare solo il caricabatteria elencato nella sezione "Alimentazione elettrica" o uno con caratteristiche identiche.

Se l'indicatore LED (2) non emette alcuna luce dopo aver acceso il TrapMaster Pro, la batteria è scarica e deve essere caricata. Quando la spia è rossa, la capacità della batteria è inferiore al 33%. La luce deve essere verde, gialla o rossa, affinché il TrapMaster Pro sia pronto e funzionante.

Per caricare il TrapMaster Pro:

- Rimuovere la protezione dalla presa dello spinotto (4)
- Collegare lo spinotto del caricatore
- Collegare il caricabatteria a una presa a muro
- Controllare che il LED di ricarica rosso (5) si accenda per indicare che l'utensile è in carica
- Caricare finché il LED di ricarica non si spegne per indicare che la ricarica è stata completata.
- Scollegare il caricabatteria dalla presa a muro e poi dal TrapMaster Pro
- Reinserire la protezione nella presa dello spinotto (4)

Il TrapMaster Pro deve essere sempre spento durante la ricarica.

Durante la ricarica, evitare di coprire il caricabatteria o la parte della batteria del TrapMaster Pro posizionata sotto l'impugnatura e garantire una buona ventilazione.

4 Funzionamento

Il funzionamento del prodotto deve essere conforme all'uso previsto. Vedere la sezione 2.4 Uso previsto.

4.1 Rischi e pericoli

Tutti gli utenti devono esaminare tutti gli aspetti di sicurezza descritti nella sezione 1 Sicurezza prima di utilizzare l'utensile per la prima volta.

4.2 Controlli

Il TrapMaster Pro è controllato manualmente dall'interruttore di alimentazione (1), dal regolatore di potenza graduale (6), dal pulsante di blu per agganciare i piattelli (8) e dal pulsante rosso per sparare (9). I numeri si riferiscono alla sezione 2.6 Caratteristiche del TrapMaster Pro.

4.3 Modalità operative

- Operazione manuale: fissare i piattelli d'argilla all'aggancio (7) azionando il pulsante blu di caricamento (8) e lanciaarli premendo il pulsante rosso (9). Questa procedura può essere ripetuta. I numeri si riferiscono alla sezione 2.6 Caratteristiche del TrapMaster Pro.
- Ricarica: caricare la batteria integrata utilizzando il caricabatteria incluso.

4.4 Utilizzo iniziale

Ogni volta che si utilizza TrapMaster Pro dopo un periodo di inattività, anche breve, è necessario controllare il funzionamento dell'interruttore di alimentazione, in modo da usarlo come pulsante di emergenza. Per maggiori istruzioni, vedere la sezione 5 "Ispezione e test del TrapMaster Pro".

Prima di utilizzare il TrapMaster Pro:

- Posizionarsi saldamente sul terreno
- Verificare di avere un campo visivo di 40 gradi a sinistra e a destra della direzione di mira
- Assicurarsi che nessuno si trovi all'interno del campo visivo summenzionato.

4.5 Agganciare e lanciare i piattelli

- Prendere un piattello nuovo (11).
- Controllare che non sia danneggiato e che sia intatto; in caso contrario, scartarlo e prenderne un altro.
- Accendere il TrapMaster Pro premendo sul pulsante di alimentazione (1).
- Attendere l'accensione dell'indicatore LED (2) e notare il suono di avvio.
 - Tre segnali acustici veloci e uno lungo.
- Tenendo in mano il TrapMaster Pro, inclinarlo di 90° all'indietro, in modo che la parte anteriore (7) sia puntata verso il cielo e sia orizzontale.
- Posizionare il piattello sull'aggancio (7) in modo che poggi sul fermo.
- Premere il pulsante di caricamento blu (8) per agganciare il piattello.
 - Se per errore si preme il pulsante prima di posizionare i piattelli premere e tenere premuto il pulsante finché il piattello non è posizionato sull'aggancio.
- Notare il suono di breve durata che indica che il piattello è agganciato.
- Posizionarsi di nuovo saldamente sul terreno e verificare che non ci siano persone all'interno dell'area di pericolo.
- Premere il pulsante rosso (9), il piattello inizia ad accelerare e viene sparato dal TrapMaster Pro 2-3 secondi dopo.
- Quando la rotazione finisce, il TrapMaster Pro è pronto per un nuovo piattello ed è possibile ripetere la procedura o spegnere l'utensile tramite l'interruttore di alimentazione (1).

4.6 Situazioni di emergenza

Durante l'uso possono verificarsi situazioni pericolose in cui è necessario effettuare un arresto immediato del TrapMaster Pro. Se si verifica una situazione del genere, spegnerlo tramite l'interruttore di alimentazione (1).

Le seguenti condizioni potrebbero richiedere l'arresto di emergenza del TrapMaster Pro:

- Situazione di pericolo
- Condizioni improvvise sconosciute, ad esempio rumori anomali (brontolii, colpi, sfrigolio), vibrazioni o calore. In questo caso l'utente deve ispezionare il TrapMaster Pro per rilevare eventuali guasti e difetti prima di riaccenderlo.

4.7 Raccolta dei rifiuti

Dopo aver sparato a uno o più piattelli, assicurarsi di raccogliere i rifiuti per lasciare l'ambiente così com'era.

4.8 Trasporto

Usare sempre la valigetta consegnata con il TrapMaster Pro per trasportare o riporre il TrapMaster Pro.

La batteria integrata agli ioni di litio è soggetta alla legislazione sulle merci pericolose. La batteria è adatta per il trasporto su strada da parte dell'utente senza ulteriori restrizioni.

In caso di spedizione da parte di terzi (ad es.: trasporto aereo o pacco postale), devono essere osservati i requisiti speciali sull'imballaggio e sull'etichettatura. Per la preparazione dell'articolo, consultare l'azienda che si intende utilizzare. Informarsi su eventuali normative nazionali più dettagliate.

5 Manutenzione e servizio

Nessuna parte è sostituibile dall'utente.

Ispezione e collaudo del TrapMaster Pro

Componente/ Parte:	Frequenza:	Modalità:	Accettazione/ non-accettazione:	Azione:	I/T/M <small>I = Ispezione T = Test M = Manutenzione</small>
Ispezioni e test rilevanti per la sicurezza:					
Interruttore di alimentazione da utilizzare come pulsante di emergenza.	Ogni volta che il TrapMaster Pro è inutilizzato anche per poco tempo e almeno una volta all'anno.	Seguire le istruzioni nella sezione "Aggancio e lancio di uno o più piattelli", ma senza piattelli. Entro 1 secondo dall'avvio del motore, spegnere l'utensile tramite l'interruttore di alimentazione.	Il motore deve fermarsi immediatamente.	In caso di guasto, il TrapMaster Pro deve essere riparato, dopodiché la sua funzione deve essere nuovamente testata.	I/T

6 Pulizia

Mantenere pulito il TrapMaster Pro. Dopo l'uso, spegnere il TrapMaster Pro e pulirlo adeguatamente da eventuale polvere e sporcizia. Utilizzare un panno umido con un detersivo delicato. Non immergere il TrapMaster Pro in acqua. Asciugare delicatamente il TrapMaster Pro dopo la pulizia. Dopo la pulizia, conservare il TrapMaster Pro in un ambiente asciutto e sicuro. Il TrapMaster Pro non deve essere conservato in un luogo umido per un periodo di tempo prolungato.

7 Risoluzione dei problemi

7.1 Risoluzione dei problemi e identificazione di guasti generici

Se vengono rilevate irregolarità durante il funzionamento del prodotto, è necessario ispezionarlo il prima possibile. Con un rapido intervento e correggendo eventuali irregolarità, è possibile prevenire situazioni di pericolo, nonché evitare inutili usure e sollecitazioni del prodotto. Se il TrapMaster Pro inizia a non funzionare correttamente dopo essere stato spento e riavviato diverse volte, l'utensile deve essere inviato all'indirizzo del nostro stabilimento di produzione.

In caso di errori ripetuti dovuti a guasti sconosciuti, è necessario eseguire un'ispezione generale del prodotto. Se i problemi persistono, contattare il produttore per telefono o e-mail, indicando i problemi presenti.

8 Smaltimento

Il prodotto è soggetto alla Direttiva 2012/19/UE sui rifiuti di apparecchiature elettriche ed elettroniche (RAEE) e 2006/66/CE su pile e accumulatori e sui rifiuti di pile e accumulatori.

Il simbolo indica che questo prodotto, inclusa la batteria, non deve essere smaltito con gli altri rifiuti domestici. Le batterie e le apparecchiature elettriche ed elettroniche contengono sostanze che, se non riciclate correttamente, possono causare danni alla salute umana e all'ambiente. È responsabilità dell'utente smaltire questo prodotto in un punto di raccolta RAEE locale per il riciclaggio. Con il corretto smaltimento, si contribuisce a evitare che questi prodotti mettano a dura prova la natura e l'ambiente, oltre a proteggere la salute umana. Per maggiori informazioni, contattare gli uffici comunali locali o i servizi di smaltimento dei rifiuti domestici.



Batteria integrale: La batteria integrata è agli ioni di litio. Non smontare il prodotto per lo smaltimento. Ciò richiede conoscenze speciali.

9 Copia della dichiarazione di conformità CE

Dichiarazione di conformità CE
2006/42/EF appendice II A

Produttore e compilatore del fascicolo tecnico:

Nome: Nordic Clays ApS

Indirizzo: Rolighedsvej 9, 1. TV
CAP e città: DK-1958 Frederiksberg C

Si dichiara che il prodotto denominato:

- TrapMaster Pro

Viene prodotto secondo le seguenti direttive comunitarie:

- Direttiva macchine 2006/42/EF
- Direttiva EMC 2014/30/UE



Fris Arne Petersen

CEO

Posizione

Copenhagen K

Luogo

14-06-2022

Data

Atenção!

Leia todos os avisos de segurança, instruções, ilustrações e especificações, que vêm com o atirador de argila TrapMaster Pro. Siga os avisos cuidadosamente e mantenha-os juntos com o TrapMaster Pro para referência futura.

1 Segurança

AVISO Leia todos os avisos de segurança, instruções, ilustrações e especificações fornecidas com esta ferramenta eléctrica.

O não cumprimento de todas as instruções listadas abaixo pode resultar em choques eléctricos, incêndio e/ou ferimentos graves. Salve todos os avisos e instruções para referência futura.

O termo "ferramenta eléctrica" nos avisos refere-se à sua ferramenta eléctrica operada a partir da rede (com fio) ou ferramenta eléctrica operada a pilhas (sem fio).

Segurança na área de trabalho

- **Mantenha a área de trabalho limpa e bem iluminada.** Áreas desordenadas ou escuras são propensas a acidentes.
- **Não utilize ferramentas eléctricas em ambientes explosivos, tais como na presença de líquidos, gases ou pó inflamáveis.** As ferramentas eléctricas criam faíscas que podem incendiar o pó ou os fumos.
- **Mantenha as crianças transeuntes afastados ao operar uma ferramenta eléctrica.** As distrações podem causar a perda de controlo.

Segurança eléctrica

- **As entradas das ferramentas eléctricas devem corresponder à tomada. Nunca modifique de forma alguma a entrada.** Não utilize tomadas adaptadoras com ferramentas eléctricas ligadas à terra (aterradas). Tomadas não modificadas e tomadas corretas reduzirão o risco de choque eléctrico.
- **Evite o contacto do corpo com superfícies aterradas, tais como tubos, radiadores, fogões e frigoríficos.** Existe um risco acrescido de choque eléctrico se o seu corpo estiver aterrado.
- **Não exponha as ferramentas eléctricas à chuva ou a condições húmidas.** A entrada de água numa ferramenta eléctrica irá aumentar o risco de choque eléctrico.
- **Não abuse do cabo eléctrico.** Nunca utilize o cabo para transportar, puxar ou desligar a ferramenta eléctrica. Manter o cordão afastado do calor, óleo, arestas vivas ou peças móveis. Os cabos danificados ou enrolados aumentam o risco de choque eléctrico.
- **Ao operar uma ferramenta eléctrica ao ar livre, utilize um cabo de extensão adequado para utilização ao ar livre.** A utilização de um cabo adequado para utilização no exterior reduz o risco de choque eléctrico.
- **Se o funcionamento de uma ferramenta eléctrica num local húmido for inevitável, utilizar um dispositivo de corrente residual (RCD) de alimentação protegida.** A utilização de um RCD reduz o risco de choque eléctrico.

Segurança pessoal


- **Fique alerta, observe o que está a fazer e use o bom senso ao operar uma ferramenta eléctrica.** Não utilizar uma ferramenta eléctrica enquanto estiver cansado ou sob a influência de drogas, álcool ou medicamentos. Um momento de desatenção durante o funcionamento de ferramentas eléctricas pode resultar em lesões pessoais graves.
- **Use equipamentos de protecção pessoal. Use sempre protecção ocular.** O equipamento de protecção, como uma máscara de protecção contra o pó, sapatos de segurança antiderrapantes, capacete ou protecção auditiva utilizados para condições apropriadas reduzirá os danos pessoais.

- **Evite o arranque involuntário.** Certifique-se de que o interruptor está na posição de desligado antes de ligar à fonte de alimentação e/ou bateria, pegar ou transportar a ferramenta. *Transportar ferramentas eléctricas com o dedo no interruptor ou conectar ferramentas eléctricas que tenham o interruptor ligado convida a acidentes.*
- **Remova qualquer chave ou ferramenta de ajuste antes de ligar a ferramenta eléctrica.** *Uma chave inglesa ou uma chave deixada ligada a uma parte rotativa da ferramenta eléctrica pode resultar em ferimentos pessoais.*
- **Não ultrapasse o alcance.** Mantenha sempre o pé firme e o equilíbrio adequados. *Isto permite um melhor controlo da ferramenta eléctrica em situações inesperadas.*
- **Vista-se adequadamente.** Não use roupas soltas ou jóias. Mantenha o seu cabelo e roupa longe de partes móveis. *Roupas soltas, jóias ou cabelo comprido podem ser apanhados em peças móveis.*
- **Se forem fornecidos dispositivos para a ligação de instalações de extracção e recolha de poeira, certifique-se de que estes estão ligados e são devidamente utilizados.** *A utilização da coleta de poeira pode reduzir os riscos relacionados com a poeira.*
- **Não deixe que a familiaridade adquirida com a utilização frequente de ferramentas permita que se torne complacente e ignore os princípios de segurança das ferramentas.** *Uma acção descuidada pode causar lesões graves dentro de uma fracção de segundo.*

Uso e cuidado das ferramentas eléctricas

- **Não force a ferramenta eléctrica.** Utilize a ferramenta eléctrica correcta para a sua aplicação. *A ferramenta eléctrica correcta fará o trabalho melhor e mais seguro ao ritmo para o qual foi concebida.*
- **Não utilize a ferramenta eléctrica se o interruptor não ligar e desligar.** *Qualquer ferramenta eléctrica que não possa ser controlada com o interruptor é perigosa e deve ser reparada.*
- **Desligar a tomada da fonte de alimentação e/ou remova a bateria, se esta for destacável, da ferramenta eléctrica antes de fazer quaisquer ajustes, trocar acessórios, ou antes de armazenar ferramentas eléctricas.** *Estas medidas preventivas de segurança reduzem o risco de arranque accidental da ferramenta eléctrica.*
- **Armazene ferramentas eléctricas ociosas fora do alcance das crianças e não permita que pessoas não familiarizadas com a ferramenta eléctrica ou com estas instruções possam operar a ferramenta eléctrica.** *As ferramentas eléctricas são perigosas nas mãos de usuários não treinados.*
- **Faça a manutenção de ferramentas eléctricas e acessórios.** Verifique se há desalinhamento ou travamento de peças móveis, ruptura de peças e qualquer outra condição que possa afectar o funcionamento da ferramenta eléctrica. *Se estiver danificado, faça o reparo da ferramenta eléctrica antes da utilização. Muitos acidentes são causados por ferramentas eléctricas mal mantidas.*
- **Mantenha as ferramentas de corte afiadas e limpas.** *Ferramentas de corte com arestas cortantes afiadas e mantidas da forma correcta têm menos probabilidades de travarem e são mais fáceis de controlar.*
- **Utilize a ferramenta eléctrica, acessórios e peças de ferramentas, etc., de acordo com estas instruções, tendo em conta as condições de trabalho e o trabalho a ser realizado.** *A utilização da ferramenta eléctrica para operações diferentes das pretendidas pode resultar numa situação perigosa.*
- **Mantenha os pegadores e as superfícies aderentes secas, limpas e isentas de óleo e graxa.** *Pegadores e superfícies aderentes escorregadios não permitem um manuseamento e controlo seguros da ferramenta em situações inesperadas.*


Utilização e cuidado de ferramentas de bateria

- **Faça a recarga apenas com o carregador especificado pelo fabricante.** *Um carregador adequado para um tipo de conjunto de baterias pode criar um risco de incêndio quando utilizado com outro conjunto de baterias.*
- **Utilize ferramentas eléctricas apenas com conjuntos de baterias especificamente designados.** *A utilização de quaisquer outros conjuntos de baterias pode criar um risco de ferimentos e incêndio.*
- **Quando a bateria não estiver em uso, mantenha-a afastada de outros objectos metálicos, como cliques de papel, moedas, chaves, pregos, parafusos ou outros pequenos objectos metálicos, que possam fazer uma conexão de um terminal a outro.** *O curto-circuito dos terminais da bateria em conjunto pode causar queimaduras ou um incêndio.*
- **Em condições abusivas, o líquido pode ser ejectado da bateria; evite o contacto.** *Se o contacto ocorrer acidentalmente, lave com água. Se o líquido entrar em contacto com os olhos, procure ajuda médica. O líquido ejectado da bateria pode causar irritação ou queimaduras.*
- **Não utilize uma bateria ou ferramenta que esteja danificada ou modificada.** *Baterias danificadas ou modificadas podem apresentar um comportamento imprevisível, resultando em incêndio, explosão ou risco de ferimentos.*
-  **Não expor uma bateria ou ferramenta ao fogo ou temperatura excessiva.** *A exposição ao fogo ou temperatura acima de 130 °C pode causar explosão.*
- **Siga todas as instruções de carregamento e não carregue a bateria ou ferramenta fora do intervalo de temperatura especificado nas instruções.** *Carregar incorrectamente ou a temperaturas fora do intervalo especificado pode danificar a bateria e aumentar o risco de incêndio.*

Manutenção

- **Faça a manutenção da sua ferramenta eléctrica com um técnico de reparação qualificado, utilizando apenas peças de substituição idênticas.** *Isto garantirá que a segurança da ferramenta eléctrica seja mantida.*
- **Nunca repare conjuntos de baterias danificados.** *A manutenção de baterias só deve ser executada pelo fabricante ou por prestadores de serviços autorizados.*

Avisos de segurança do TrapMaster Pro

- Nunca brinque com o TrapMaster Pro. Nunca aponte ou mire em alguém ou em animais. Utilize o TrapMaster Pro somente ao ar livre e em espaços abertos. *Dispare sempre para o ar.*
- Utilize o TrapMaster Pro apenas em campos de tiro permanentes ou temporários. *Os alvos de argila usado, totalmente intactos ou em pedaços, não devem ser deixados em áreas privadas ou públicas onde pessoas, crianças, animais ou gado possam entrar em contacto com eles por coincidência.*
-  Além da protecção dos olhos, utilize sempre protecção auditiva quando o TrapMaster Pro é utilizado perto de atiradores. *A protecção dos olhos é importante devido aos perigos do TrapMaster Pro e o ruído do tiro pode prejudicar a sua audição.*
- Sempre segure o TrapMaster Pro com segurança e com um braço reto apontando na direcção da trajectória pretendida do(s) alvo(s) de argila. *Isto irá assegurar uma indicação clara da trajectória. Um braço dobrado pode resultar na saída do alvo de argila do TrapMaster Pro numa distância insegura muito próxima do utilizador do TrapMaster Pro e das pessoas próximas.*

Nunca mire, aponte ou dispare contra quaisquer pessoas ou animais vivos. *Dispare sempre para o ar. É obrigatória uma visão clara de 40 graus para a esquerda e para a direita da direcção de mira do TrapMaster Pro. Isto assegurará que o utilizador da TrapMaster Pro possa observar pessoas, animais e gado, que por acidente podem chegar à área de tiro e consequentemente não iniciar um novo tiro.*
- Nunca tente parar o barro rotativo com a mão ou segurando um item em frente ao TrapMaster Pro, quando o botão vermelho de atirar tiver sido pressionado. *Em vez disso, pare a argila desligando o TrapMaster Pro no seu botão de interruptor de alimentação. O alvo de argila é frágil e irá estilhaçar-se se atingir alguma coisa. As lascas podem ter pontas afiadas e podem ser capazes de causar danos.*
- Antes de carregar no botão vermelho de atirar, assegure-se sempre de que ninguém se interpõe no caminho e que as distâncias de segurança são mantidas por todos os que se encontram nas proximidades. *Certifique-se de que todos estão cientes da pessoa que dispara com o TrapMaster Pro.*
- Utilizar apenas alvos originais de argila do fabricante do TrapMaster Pro, Nordic Clays. *Outros alvos de argila com diferente força, peso, equilíbrio, efeito propulsor, etc. podem criar perigos imprevistos e destruir o TrapMaster Pro.*

Distâncias de segurança

- Ao lançar uma argila, nenhuma pessoa, animal ou gado pode ser localizado em frente do utilizador do TrapMaster Pro numa distância de 120 metros ou numa área rectangular 2,0 m à esquerda, 2,0 m à direita e 1,0 m atrás. *Isto é para proteger as pessoas próximas contra lascas de um barro, caso este se parta ao ser lançado ou imediatamente a seguir.*

Utilizadores

- Os adultos que tenham lido e compreendido o manual de instruções e assim tenham obtido conhecimentos sobre a função do TrapMaster Pro, bem como as instruções de segurança, etc., devem estar a funcionar bem física e mentalmente, bem como devem ter uma visão e audição normais, possivelmente utilizando óculos/aparelhos auditivos.
- Apenas pessoas com mais de 16 anos estão autorizadas a utilizar o TrapMaster Pro. *Jovens entre os 16 e 17 anos de idade devem estar sob a supervisão de utilizadores experientes e, além disso, satisfazer os requisitos dos utilizadores adultos.. O grupo etário dos 16-17 anos de idade pode ter uma autoridade mista e uma fraca consciência dos riscos.*

2 Resumo do produto

2.1 Fabricante

Nordic Clays ApS
Rølighedsvej 9, 1. TV,
DK-1958 Frederiksberg C
Telefone: +45 29 88 22 93
E-mail: info@nordicclays.com
www.nordicclays.com

2.2 Designação do lançador de argila

Designação completa: TrapMaster Pro 1.0

2.3 Utilização pretendida

A máquina destina-se a ser segurada para a frente com um braço reto para lançar discos circulares de material de base biológica, que funcionam como alvos de tiro de pombos de argila.

2.4 Aplicações proibidas

O TrapMaster Pro só pode ser utilizado como pretendido. O utilizador nunca poderá desmontar o TrapMaster Pro, isto irá cancelar e anular a sua garantia.

2.5 Componentes ilustrados

A numeração dos componentes ilustrados remete para a ilustração da ferramenta eléctrica na página 2.

- 56: Interruptor de alimentação (On/Off)
- 57: Indicador LED para níveis de bateria
 - a. Níveis de bateria:
 - i. Verde = 33-100%
 - ii. Vermelho = 0-33%
- 58: Bateria recarregável (Li-Ion)
- 59: Tomada para carregador de bateria
- 60: LED de carregamento
 - a. Luz vermelha = carregando
 - b. Sem luz = totalmente carregado.
- 61: Regulador de potência por etapas (passos 0 - 9)
 - a. 9 sendo a velocidade mais alta
 - b. 0 sendo a velocidade mais baixa
- 62: Eixo
- 63: Botão de carga azul para bloquear a(s) argila(s) ao eixo
 - a. Se as garras estiverem para fora, o botão pode ser segurado para baixo para as conduzir novamente para dentro.
 - i. Quando o botão é pressionado, o botão vermelho (9) não funciona.
 - b. Também se pode reiniciar a máquina, para voltar a introduzir as garras para dentro.
- 64: Botão vermelho de tiro para lançar a(s) argila(s)
- 65: Pegador
- 66: Alvo de argila
 - a. Pode ser carregado no eixo de ambas as maneiras (7)

2.6 Funcionamento do TrapMaster Pro

O TrapMaster Pro é ligado com o interruptor de alimentação (1), a(s) argila(s) (11) é(são) fixada(s) no Eixo (7), as três "garras" são activadas pelo botão de carga azul (8), o tiro e aceleração da(s) argila(s) é activada pelo botão de atirar vermelho (9). Quando a velocidade de rotação da(s) argila(s) corresponde ao ajuste do regulador de potência por etapas (6), o eixo move-se um pouco para a frente ao mesmo tempo que as garras se retraem e a(s) argila(s) voa(m) para longe do TrapMaster Pro e a rotação do eixo pára pouco depois. Quando o eixo pára de girar, o TrapMaster Pro está pronto para uma repetição do processo.

2.7 Especificações técnicas

2.7.1 Peso

2,0 kg.

2.7.2 Alimentação de energia eléctrica

Tensão nominal: 15 V DC

Corrente de carga máxima: 1,2 A

Carregador recomendado: TDX-1501200

2.8 Emissões, ruído

O nível de pressão sonora de emissão ponderado A, LpA, produzido pelo TrapMaster Pro não excede 70 dB(A).

2.9 Condições de funcionamento e armazenamento

Exterior com boa visibilidade em campos de tiro permanentes ou temporários de pombos de argila.

Ambiente	
Gama de temperatura ambiente permitida durante o funcionamento e armazenamento.	-10 a +40 °C
Gama de temperatura ambiente recomendada para armazenamento de longa duração (mais de 3 meses).	20 ±5 °C
Gama de temperatura ambiente recomendada durante o carregamento.	0 a +35 °C
Humidade relativa permitida (sem condensação)	Mín. 20% Máx. 90 %
Humidade relativa recomendada para armazenamento de longa duração (mais de 3 meses).	65 ±20 %
Ambiente EMC	B, (Propriedades residenciais, localizações industriais leves ou áreas comparáveis)

2.10 Vida útil prevista da máquina

Espera-se que o TrapMaster Pro funcione durante 5 anos. Após os 5 anos, o TrapMaster Pro deve ser reparado ou remodelado pelo fabricante.

3 Carregamento

Utilize apenas o carregador listado na secção "Fornecimento de energia eléctrica" ou um com especificações idênticas.

Se o LED indicador (2) não emitir qualquer luz, depois de ligar o TrapMaster Pro, então a bateria está vazia e precisa de ser carregada. Quando a luz está vermelha, a capacidade da bateria é inferior a 33%. A luz deve ser verde, amarela ou vermelha para que o TrapMaster Pro esteja pronto e funcional.

Para carregar o TrapMaster Pro:

- Retirar a capa de protecção (4)
- Conecte a pequena tomada do carregador
- Conecte o carregador à tomada de parede
- Verifique o LED vermelho de carga (5) que indica que está a carregar
- Deixe a carga continuar até que o LED de carga se apague, indicando que a carga está concluída.
- Desligar o carregador da tomada de parede e depois do TrapMaster Pro
- Voltar a colocar a capa de protecção na tomada (4)

O TrapMaster Pro deve ser sempre desligado enquanto carrega.

Durante o carregamento, evite cobrir o carregador de bateria ou a parte da bateria do TrapMaster Pro abaixo do pegador, e assegure uma boa ventilação.

4 Operação

O funcionamento da máquina deve estar em conformidade com a utilização prevista da máquina. Consulta a secção 2.4 Utilização pretendida.

4.1 Riscos e perigos

Todos os utilizadores devem ter passado por todos os aspectos de segurança descritos na secção 1 Segurança antes de operarem a máquina pela primeira vez.

4.2 Controlos

O TrapMaster Pro é controlado manualmente pelo interruptor de potência (1), o regulador de potência por etapas (6), o botão de carga azul para bloquear a(s) argila(s) (8) e o botão de atirar vermelho (9). Os números referem-se à secção 2.6 Características do TrapMaster Pro.

4.3 Modos de funcionamento

- Operação manual: O utilizador fixa uma ou mais argilas no eixo (7) activando o botão de carga azul (8) e lança-o pressionando o botão de atirar vermelho (9). Isto é feito repetidamente. Os números referem-se à secção 2.6 Características do TrapMaster Pro.
- Carregamento: O utilizador carrega a bateria recarregável integral, utilizando o carregador de bateria incluído.

4.4 Início

Cada vez que começar a utilizar o TrapMaster Pro depois de ter sido posto de lado, mesmo por um curto período de tempo, deve verificar o interruptor de alimentação para ser utilizado como uma parada de emergência. Para como fazê-lo, consulte a secção 5 "Inspeção e teste do TrapMaster Pro".

Antes de utilizar o TrapMaster Pro, o utilizador deve também certificar-se de que:

- Há uma base sólida
- Há uma visão clara de 40 graus para a esquerda e para a direita da direcção pretendida
- Não há pessoas localizadas dentro dos ângulos acima mencionados.

4.5 Montagem e lançamento de argila(s)

- Tomar uma nova argila (11).
- Verificar se a argila está intacta, caso contrário, descarte-a e pegue outra.
- Ligue o TrapMaster Pro no interruptor de alimentação (1).
- Espere até que o LED Indicador (2) se ligue e tenha reproduzido o seu som de arranque.
 - Três bipes rápidos e um longo.
- Enquanto segura o TrapMaster Pro na mão, incline o TrapMaster Pro 90° para trás, de modo que o eixo (7) esteja apontado para o céu e esteja na horizontal.
- Colocar a argila sobre o Eixo (7) para que a(s) argila(s) descansa(m) no apoio.
- Pressione o botão de carga azul (8) para bloquear a(s) argila(s) no eixo.
 - Se por engano apertar o botão antes de colocar a(s) argilas(s). Aperte e segure no botão até ter colocado a(s) argila(s) no eixo.
- Note o breve som curto e a(s) argila(s) está(ão) fixada(s) ao eixo.
- Verificar novamente o apoio e que não há pessoas localizadas dentro das áreas perigosas.
- Aperte o botão vermelho de atirar (9), a argila começa a acelerar deixando o TrapMaster Pro 2-3 segundos mais tarde.
- Quando a rotação dos eixos tiver parado, o TrapMaster Pro está pronto para nova(s) argila(s) e pode repetir o procedimento ou desligá-lo no interruptor de alimentação (1).

4.6 Situações de emergência

Podem ocorrer situações perigosas durante a utilização onde é necessário fazer uma paragem imediata do TrapMaster Pro. Se tal situação ocorrer, desligue-o no interruptor de alimentação (1).

A situação seguinte pode exigir a paragem de emergência do TrapMaster Pro:

- Uma situação perigosa
- A ocorrência de condições repentinas desconhecidas, por exemplo, ruídos anormais (ruídos de ranger, bater, chiar), vibrações ou calor. Neste caso, o utilizador deve inspecionar o TrapMaster Pro para detectar falhas e defeitos antes de voltar a ligá-lo.

4.7 Remoção de resíduos da operação

Depois de ter disparado uma ou várias argilas, certifique-se sempre de levar consigo o seu lixo, para que deixe a natureza como quando chegou.

4.8 Transporte

Utilize sempre a maleta entregue com o TrapMaster Pro quando transportar ou armazenar o TrapMaster Pro.

A bateria de íon lítio integral está sujeita aos requisitos da Legislação de Bens Perigosos. A bateria é adequada para o transporte rodoviário pelo utilizador sem restrições.

Quando a expedição é feita por terceiros (por exemplo: por transporte aéreo ou correio de encomendas), devem ser observados requisitos especiais em termos de embalagem e rotulagem. Para a preparação do artigo, consulte a empresa que pretende utilizar. Esteja consciente da possibilidade de regulamentações nacionais mais detalhadas.

5 Manutenção e serviço

Não há peças substituíveis pelo utilizador.

Inspeção e teste do TrapMaster Pro

Componente/peça da máquina:	Frequência:	Como (método):	Aceitação/não-aceitação:	Ação:	I/T/M <small>I = Inspeção T = Teste M = Manutenção</small>
Inspeção e testes relevantes para a segurança:					
O interruptor de alimentação para utilização como paragem de emergência.	Cada vez que o TrapMaster Pro foi posto de lado mesmo durante um curto período de tempo e pelo menos uma vez por ano.	Siga as instruções na secção "Montagem e lançamento de argila(s)", mas sem argila(s). Dentro de 1 segundo depois de o motor iniciar, desligue a máquina no interruptor de alimentação.	O motor deve parar imediatamente.	Em caso de falha, o TrapMaster Pro deve ser reparado, e depois disso, a função deve ser novamente testada.	I/T

6 Limpeza

Mantenha o TrapMaster Pro limpo. Após a utilização, desligue o TrapMaster Pro e limpe devidamente o TrapMaster Pro para poeira e sujeira. Use um pedaço de pano molhado com um pouco de detergente suave. Não mergulhe o TrapMaster Pro na água. Seque suavemente o TrapMaster Pro após a limpeza. Após a limpeza, armazene o TrapMaster Pro num ambiente seco e seguro. O TrapMaster Pro não deve ser armazenado numa área húmida e húmida durante um período de tempo mais longo.

7 Resolução de problemas

7.1 Resolução de problemas e identificação de falhas gerais

Quando são detectadas irregularidades durante o funcionamento da máquina, deve ser realizada uma investigação o mais rapidamente possível. Através de uma rápida intervenção e correcção das irregularidades, uma situação perigosa pode ser evitada, bem como evitar desgaste e tensão desnecessários na máquina. Se o TrapMaster Pro não começar a funcionar correctamente depois de ter sido desligado e reiniciado algumas vezes, a máquina deve ser enviada para o nosso endereço de fabrico.

Em caso de erros repetitivos devidos a uma falha desconhecida, deve ser realizada uma inspeção completa da máquina. Se os problemas persistirem, contacte o fabricante por telefone ou e-mail, declarando os seus desafios.

8 Descarte

O produto está sujeito à Directiva 2012/19/UE sobre resíduos de equipamentos eléctricos e electrónicos (REEE) e 2006/66/CE sobre pilhas e acumuladores e resíduos de pilhas e acumuladores.

O símbolo indica que este produto, incluindo a bateria, não deve ser eliminado com os seus outros resíduos domésticos. As baterias, equipamentos eléctricos e electrónicos contêm substâncias que podem causar danos à saúde humana e ao ambiente se não forem recicladas correctamente. É da sua responsabilidade entregar este produto a um ponto local designado de recolha de REEE para reciclagem. Ao entregar para uma reciclagem correcta, ajuda a evitar que estes produtos sobrecarreguem desnecessariamente a natureza e o ambiente e a proteger a saúde humana. Para mais informações, por favor contacte o escritório local da sua cidade ou o seu serviço de eliminação de resíduos domésticos.



Bateria Integral: A bateria integrada é do tipo íon-lítio. Não desmonte o produto para eliminação. Isto requer conhecimentos especiais para ser feito de uma forma segura.

9 Cópia da declaração de conformidade CE

Declaração de conformidade CE
2006/42/EF Apêndice II A

Fabricante e compilador da ficha técnica:

Nome: Nordic Clays ApS
Endereço: Rolighedsvej 9, 1. TV
Código postal e cidade: DK-1958 Frederiksberg C

Declara aqui que a máquina do tipo:

- TrapMaster Pro

É fabricado em conformidade com as seguintes directivas comunitárias:

- 2006/42/EF Directiva Máquinas
- 2014/30/EU Directiva EMC



Friis Arne Petersen

CEO

Posição

Copenhagen K

Local

14-06-2022

Data

Huomio!

Lue kaikki TrapMaster Pro-savikiekonheittimen mukana tulevat turvallisuusvaroitukset, ohjeet, kuvat ja tekniset tiedot. Noudata niitä tarkoin, ja pidä ne yhdessä TrapMaster Proin kanssa tulevaa käyttöä varten.

1 Turvallisuus

VAROITUS Lue kaikki tämän sähkötyökalun mukana tulevat turvallisuusvaroitukset, ohheet, kuvat ja tekniset tiedot. Alla luettelujen ohjeiden noudattamatta jättäminen voi johtaa sähköiskuun, tulipaloon ja/tai vakavaan loukkaantumiseen. Talleta kaikki varoitukset ja ohjeet tulevaa käyttöä varten.

Varoituksissa käytetty termi "sähkötyökalu" viittaa verkkovirtakäyttöiseen (johto) sähkötyökaluun tai paristokäyttöiseen (johdoton) sähkötyökaluun.

Työskentelyalueen turvallisuus

- Pidä työskentelyalue puhtaana ja hyvin valaistuna. *Sotkuiset tai pimeät alueet kutsuvat onnettomuuksia.*
- Älä käytä sähkötyökaluja räjähdyksenvaarallisissa tiloissa, kuten tiloissa, joissa on syttyviä nesteitä, kaasuja tai pölyä. *Sähkötyökalut muodostavat kipinöitä, jotka voivat sytyttää pölyn tai kaasuja.*
- Pidä lapset ja sivulliset poissa sähkötyökalua käyttäessäsi. *Häiriötekijät voivat saada sinut menettämään laitteen hallinnan.*

Sähköturvallisuus

- Sähkötyökalujen pistokkeiden on sovittava pistorasiaan. Älä koskaan muokkaa pistoketta millään tavalla. Älä käytä adapteripistokkeita maadoitettujen sähkötyökalujen kanssa. *Muokkaamattomat pistokkeet ja yhteensopivat pistorasiat vähentävät sähköiskun vaaraa.*
- Vältä kehon kosketusta maadoitettuihin pintoihin, kuten putkiin, lämpöpattereihin, liesiin ja jääkaappeihin. *Sähköiskun vaara on suurempi, jos kehosi on maadoitettu.*
- Älä altista sähkötyökaluja sateelle tai märille olosuhteille. *Veden pääsy sähkötyökaluun lisää sähköiskun vaaraa.*
- Älä käytä johtoa väärin. Älä koskaan käytä johtoa sähkötyökalun kantamiseen, vetämiseen tai irrottamiseen pistorasiasta. Pidä johto kaukana lämmöstä, öljystä, terävistä reunista tai liikkuvista osista. *Vaurioituneet tai sokeutuneet johdot lisäävät sähköiskun vaaraa.*
- Kun käytät sähkötyökalua ulkona, käytä ulkokäyttöön soveltuvaa jatkojohtoa. *Ulkokäyttöön soveltuvan johdon käyttö vähentää sähköiskun vaaraa.*
- Jos sähkötyökalun käyttöä kosteassa tilassa ei voida välttää, käytä vikavirtasuojattua syöttölaitea. *Vikavirtasuojatun laitteen käyttö vähentää sähköiskun vaaraa.*

Henkilökohtainen turvallisuus

- Pysy valppaana, katso mitä teet ja käytä tervettä järkeä käyttäessäsi sähkötyökalua. Älä käytä sähkötyökalua väsyneenä tai huumeiden, alkoholin tai lääkkeiden vaikutuksen alaisena. *Hetkellinen tarkkaamattomuus sähkötyökaluja käytettäessä voi aiheuttaa vakavia henkilövahinkoja.*
- Käytä henkilökohtaisia suojarusteita. Käytä aina silmäsuojaimia. *Suojarusteet, kuten polynaamari, luistamattomat turvakengät, suojakypärä tai kuulosuojaimet, joita käytetään asianmukaisissa olosuhteissa, vähentävät henkilövahinkoja.*
- Estä tahaton käynnistyminen. Varmista, että kytkin on pois päältä -asennossa, ennen kuin kytket virtalähteen ja/tai akun, otat työkalun käteen tai kannat sitä. *Sähkötyökalujen kantaminen sormi kytkimellä tai sähkötyökalujen kuljettaminen, kun niiden kytkin on päällä, kutsuu onnettomuuksia.*
- Poista säätöavain tai jokoavain ennen sähkötyökalun kytkemistä päälle. *Sähkötyökalun pyörivään osaan kiinnitettyinä oleva jokoavain tai avain voi aiheuttaa henkilövahinkoja.*
- Älä kurota. Pysy aina tukevassa asennossa ja tasapainossa. *Tämä mahdollistaa sähkötyökalun paremman hallinnan odottamattomissa tilanteissa.*
- Pukeudu asianmukaisesti. Älä käytä löysiä vaatteita tai koruja. Pidä hiuksesi ja vaatteesi etäällä liikkuvista osista. *Löysät vaatteet, korut tai pitkät hiukset voivat jäädä kiinni liikkuviin osiin.*
- Jos pölynpoistoa ja keräämistä varten on laitteita, varmista, että ne on kytketty ja että niitä käytetään asianmukaisesti. *Pölynpoiston käyttö voi vähentää pölyyn liittyviä vaaroja.*
- Älä anna työkalujen toistuvasta käytöstä saadun tuttuuden tehdä sinua luottavaiseksi ja sivuuttaa työkalujen turvallisuusperiaatteita. *Huolimaton toiminta voi aiheuttaa vakavan vamman sekunnin murto-osassa.*

Sähkötyökalujen käyttö ja hoito

- Älä käytä sähkötyökalua väkisin. Käytä käyttötarkoitukseksi sopivaa oikeaa työkalua. *Oikea sähkötyökalu tekee työn paremmin ja turvallisemmin sillä nopeudella, johon se on suunniteltu.*

- Älä käytä sähkötyökaluja, jos sen kytkin ei nytke sitä päälle ja pois päältä. Kaikki sähkötyökälu, joita ei voi ohjata kytkimellä, ovat vaarallisia ja korjattava.
- Irrota pistoke virtalähteestä ja/tai irrota akku, jos se on irrotettavissa, sähkötyökäluista ennen säätöjen tekemistä, lisävarusteiden vaihtamista tai sähkötyökälujen varastointia. Tällaiset ennaltaehkäisevät turvatoimet vähentävät sähkötyökäluun tahattoman käynnistymisen riskiä.
- Säilytä käyttämättömät sähkötyökälu lasten ulottumattomissa, äläkä anna sähkötyökäluja tai näitä ohjeita tuntemattomien henkilöiden käyttää sitä. Sähkötyökälu ovat vaarallisia kouluttamattomien käyttäjien käsissä.
- Huolehdi sähkötyökäluista ja tarvikkeista. Tarkista, ettei laitteessa ole virheellisesti suunnattuja tai kiinnitettyjä liikkuvia osia, etteivät osat ole rikkoutuneita tai siinä ole muita vikoja, jotka voivat vaikuttaa työkalun toimintaan. Jos sähkötyökälu on vaurioitunut, korjauta se ennen käyttöä. Monet onnettomuudet johtuvat huonosti huolletuista sähkötyökäluista.
- Pidä leikkaustyökälu terävinä ja puhtaina. Asianmukaisesti huollettu leikkuutyökälu, joissa on terävät leikkuureunat, takertuvat harvemmin ja ovat helpommin hallittavissa.
- Käytä sähkötyökäluja, lisävarusteita ja työkalujen osia jne. näiden ohjeiden mukaisesti huomioiden työskentelyolosuhteet ja suoritettava työ. Sähkötyökäluun käyttö muuhun kuin tarkoitettuun toimintaan voi johtaa vaaratilanteeseen.
- Pidä kahvat ja tartuntapinnat kuivina, puhtaina ja öljyttöminä ja rasvattomina. Liukkaat kahvat ja tartuntapinnat estävät työkalun turvallisen käsittelyn ja hallinnan odottamattomissa tilanteissa.

Akkutyökäluun käyttö ja hoito

- Lataa vain valmistajan määrittelemällä laturilla. Laturi, joka soveltuu tiettyntyyppiselle akkupaketille, voi aiheuttaa tulipalon vaaran, kun sitä käytetään toisen akkupaketin kanssa.
- Käytä sähkötyökäluja vain niille erityisesti tarkoitettujen akkujen kanssa. Muiden akkujen käyttö voi aiheuttaa loukkaantumis- ja tulipalovaaran.
- Kun akkupaketti ei ole käytössä, pidä se etäällä muista metalliesineistä, kuten paperiliittimistä, kolikoista, avaimista, nautoista, ruuveista tai muista pienistä metalliesineistä, jotka voivat muodostaa yhteyden laitteesta toiseen. Akun napojen oikosulku voi aiheuttaa palovammoja tai tulipalon.
- Väärissä käyttöolosuhteissa akusta voi purkautua nestettä; vältä kosketusta. Jos kosketus vahingossa tapahtuu, huuhtelee vedellä. Jos nestettä joutuu silmiin, hakeudu lääkäriin. Akusta ulos työntyvä neste voi aiheuttaa ärsytystä tai palovammoja.
- Älä käytä akkua tai työkalua, joka on vaurioitunut tai jota on muokattu. Vaurioituneet tai muokatut akut voivat käyttäytyä arvaamattomasti, mikä voi johtaa tulipaloon, räjähdykseen tai loukkaantumisvaaraan.



Älä altista akkua tai työkalua tulelle tai korkealle lämpötilalle. Altistuminen tulelle tai yli 130 °C:n lämpötilalle voi aiheuttaa räjähdyksen.

- Noudata kaikkia latausohjeita äläkä lataa akkua tai työkalua ohjeissa määritellyn lämpötila-alueen ulkopuolella. Lataaminen virheellisesti tai määritellyn alueen ulkopuolisissa lämpötiloissa voi vahingoittaa akkua ja lisätä tulipalon vaaraa.

Huolto

- Huollata sähkötyökälu ammattitaitoisella korjaajalla, joka käyttää vain samanlaisia varaosia. Tämä varmistaa, että sähkötyökälu pysyy turvallisenä.
- Älä koskaan huolla vaurioituneita akkupaketteja. Akkupakettien huollon saa suorittaa vain valmistaja tai valtuutettu huoltoliike.

TrapMaster Proin turvallisuusvaroitukset

- Älä koskaan leiki TrapMaster Proilla. Älä koskaan osoita tai tähtää sillä ketään ihmisiä tai eläimiä. Käytä TrapMaster Proia vain ulkona ja avoimissa tiloissa. Ammu aina ilmaan.

- Käytä TrapMaster Proia vain pysyvillä tai väliaikaisilla ampumaradoilla. Käytettyjä savikiekkoja, täysin ehjiä tai rikkoutuneita, ei saa jättää yksityisille tai julkisille alueille, joilla ihmiset, lapset, eläimet tai karja voivat sattumalta joutua kosketuksiin niiden kanssa.



Käytä silmiensuojainten lisäksi aina kuulosuojaimia, kun TrapMaster Proia käytetään ampujien lähellä. Silmien suojaus on tärkeää, koska TrapMaster Proista voi aiheutua vaaroja, ja ammunnan aiheuttama melu voi vahingoittaa kuuloa.

- Pidä TrapMaster Proia aina tukevasti ja suoralla käsivarrella savikiekon (-kiekkojen) tarkoitettua lentoradan suuntaan osoittaen. Näin varmistetaan, että lentorata on selkeästi nähtävissä. Jos käsivarsi on taivutettu, savikiekko voi lähteä TrapMaster Proista turvattomalla etäisyydellä liian lähellä TrapMaster Proin käyttäjää ja lähellä olevia ihmisiä.

Älä koskaan tähtää, osoita tai ammu ihmisiä tai eläviä eläimiä. Ammu aina ilmaan. TrapMaster Proin tähtäyssuuntaan nähden on oltava 40 asteen avoin näkyvyys vasemmalle ja oikealle. Näin varmistetaan, että TrapMaster Proin käyttäjä voi tarkkailla ihmisiä, eläimiä ja karjaa, jotka saattavat vahingossa saapua ampuma-alueelle, ja näin olla aloittamatta uutta laukausta.

- Älä koskaan yritä pysäyttää pyörivää savikiekkoa käsin tai pitämällä TrapMaster Proin edessä esinettä, kun punaista laukaisupainiketta on painettu. Pysäyttä kiekko sen sijaan laukuttamalla TrapMaster Pro sen virtakytkinpainikkeesta. Savikiekko on hauras ja pirstoutuu, jos se osuu johonkin. Sirpaleissa voi olla teräviä reunoja, jotka voivat aiheuttaa vahinkoa.

- Ennen punaisen käynnistyspainikkeen painamista varmista aina, ettei kukaan ole tiellä ja että kaikki lähellä olevat henkilöt noudattavat turvaetäisyyksiä. Varmista, että kaikki ovat tietoisia TrapMaster Proilla ampuvasta henkilöstä.
- Käytä vain TrapMaster Proin valmistajan, Nordic Claysin, alkuperäisiä savikiekkoja. Muut savikiekot, joiden vahvuus, paino, tasapainotus, polttoaineen vaikutus jne. ovat erilaisia, voivat aiheuttaa odottamattomia vaaroja ja tuhota TrapMaster Proin.

Turvaetäisyydet

- Kun savikiekko laukaistaan, ihmisiä, eläimiä tai karjaa ei saa olla TrapMaster Pro-käyttäjän edessä 120 metrin etäisyydellä tai suorakulmion muotoisella alueella 2,0 metriä vasemmalle, 2,0 metriä oikealle ja 1,0 metriä taakse. Tämä suojaa lähellä olevia ihmisiä savikiekosta irtoavilta sirpaleilta, jos kiekko rikkoutuu laukaisun yhteydessä tai heti laukaisun jälkeen.

Käyttäjät

- Aikuisten, jotka ovat lukeneet ja ymmärtäneet käyttöoppaan ja saaneet siten tietoa TrapMaster Proin toiminnasta sekä turvallisuusohjeista jne., on oltava fyysisesti ja henkisesti hyväkuntoisia, ja heillä on oltava normaali näkö ja kuulo, mahdollisesti silmälasien tai kuulolaitteen avulla.
- TrapMaster Proia saavat käyttää vain yli 16-vuotiaat henkilöt. 16-17-vuotiaiden nuorten on oltava kokeneiden käyttäjien valvonnassa ja lisäksi täytettävä aikuisille käyttäjille asetetut vaatimukset. 16-17-vuotiaiden ikäryhmällä voi olla ristiriitainen suhtautuminen auktoriteetteihin ja heikko tietoisuus riskeistä.

2 Tuotteen yleiskuvas

2.1 Valmistaja

Nordic Clays ApS
 Rolighedsvej 9, 1. TV,
 DK-1958 Frederiksberg C
 Puhelin: +45 29 88 22 93
 Sähköposti: info@nordicclays.com
www.nordicclays.com

2.2 Savikiekkonheittäjän nimeäminen

Täydellinen nimi: TrapMaster Pro 1.0

2.3 Käyttötarkoitus

Laite on tarkoitettu pidettäväksi suorassa kädessä eteenpäin suunnattuna ja laukaisemaan biopohjaisesta materiaalista valmistettuja pyöreitä kiekkoja, jotka toimivat savikiekkooammunnassa käytettävänä kohteina.

2.4 Kielletyt käyttökohteet

TrapMaster Proia saa käyttää vain tarkoitetulla tavalla. Käyttäjä ei saa koskaan purkaa TrapMaster Proia, sillä tämä mitätöi takuun.

2.5 Komponenttien kuvitus

Kuvattujen osien numerointi viittaa sivulla 2 olevaan sähkötyökalun kuvaan.

- 67: Virtakytkin (On/Off)
- 68: Akun varaustason ilmaiseva LED-indikaattori
 - a. Akun varaustasot:
 - i. Vihreä = 33–100 %
 - ii. Punainen = 0–33 %
- 69: Integroitu ladattava akku (Li-Ion)
- 70: Pistorasia akkulaturille
- 71: Lataus-LED
 - a. Punainen valo = ladataan
 - b. Ei valoa = täyteen ladattu.
- 72: Portaittainen tehonsäädin (portaat 0–9)
 - a. 9 on suurin nopeus
 - b. 0 on alhaisin nopeus
- 73: Kolo

- 74: Sininen latauspainike lukitsee kiekon (kiekot) koloon
- a. Jos kynnet ovat ulkona, painiketta voi pitää alhaalla, jotta ne saadaan takaisin sisään.
 - i. Kun painiketta pidetään alhaalla, punainen painike (9) ei toimi.
 - b. Voit myös käynnistää laitteen uudelleen, jotta kynnet saadaan takaisin sisään.
- 75: Punainen laukaisupainike kiekon (kiekkojen) laukaisemiseksi
- 76: Kahva
- 77: Savikiekko
- a. Voidaan ladata koloon molemmin päin (7)

2.6 TrapMaster Proin toiminta

TrapMaster Pro kytketään päälle virtakytkimestä (1), kiekko (kiekot) (11) asetetaan koloon (7), kolme "kynttä" aktivoidaan sinisellä latauspainikkeella (8), kiekon (kiekkoje) ampuminen ja kiihdyttäminen aktivoidaan punaisella laukaisupainikkeella (9). Kun kiekon (kiekkojen) pyörimisnopeus vastaa asteittaisen tehonsäätimen (6) asetusta, kolo liikkuu hieman eteenpäin samaan aikaan, kun kynnet vetäytyvät sisään, ja kiekko (kiekot) lentää (lentävät) ulos TrapMaster Proista, ja kolon pyöriminen pysähtyy pian sen jälkeen. Kun kolon pyöriminen lakkaa, TrapMaster Pro on valmis prosessin toistamiseen.

2.7 Tekniset tiedot

2.7.1 Paino

2,0 kg.

2.7.2 Sähköinen virransyöttö

Nimellisjännite: 15 V DC

Maksimilatausvirta: 1,2 A

Suositteluturi: TDX-1501200

2.8 Päästöt, melu

TrapMaster Proin tuottama A-painotettu päästöäänepainetaso LpA ei ylitä 70 dB(A).

2.9 Käyttö- ja säilytysolosuhteet

Ulkona, jossa on hyvä näkyvyys pysyville tai tilapäisille savikiekkoampumaradoille.

Ympäristö	
Sallittu ympäristön lämpötila-alue käytön ja säilytyksen aikana.	-10 – +40 °C
Suosittelu ympäristön lämpötila-alue pitkäaikaisessa säilytyksessä (yli 3 kuukautta).	20 ±5 °C
Suosittelu ympäristön lämpötila-alue latauksen aikana.	0 – +35 °C
Sallittu suhteellinen kosteus (ei tiivistyvä)	Vähintään 20 % Enintään 90 %
Suosittelu suhteellinen ilmankosteus pitkäaikaisessa säilytyksessä (yli 3 kuukautta).	65 ±20 %
EMC-ympäristö	B, (asuinkiinteistöt, kevyen teollisuuden alueet tai vastaavat alueet)

2.10 Laitteen suunniteltu käyttöikä

TrapMaster Proin odotetaan toimivan 5 vuotta. Viiden vuoden kuluttua TrapMaster Pro on huollettava tai kunnostettava valmistajan toimesta.

3 Lataus

Käytä vain kohdassa "Sähkövirtälähde" lueteltua laturia tai laturia, jolla on samat tekniset tiedot.

Jos LED-merkkivalo (2) ei pala lainkaan TrapMaster Proin kytkemisen jälkeen, akku on tyhjä ja on ladattava. Kun valo palaa punaisena, akun kapasiteetti on alle 33 %. Valon on oltava joko vihreä, keltainen tai punainen, jotta TrapMaster Pro on valmis ja toimintakelpoinen.

TrapMaster Proin lataaminen:

- Irrota suojaistorasia (4)
- Kytke laturin pieni pistoke
- Kytke laturi seinäpistokkeeseen
- Tarkista, että punainen lataus-LED (5) syttyy, mikä osoittaa, että lataus on käynnissä
- Anna latauksen jatkua, kunnes lataus-LED sammuu, mikä osoittaa, että lataus on päättynyt.
- Irrota laturi seinäpistokkeesta ja sitten TrapMaster Proista
- Aseta suojaistorasia takaisin pistokkeeseen (4)

TrapMaster Pro on aina kytkettävä pois päältä latauksen aikana.

Latauksen aikana on vältettävä peittämästä akkulaturia tai TrapMaster Proin akkuosaa kahvan alapuolella ja varmistettava hyvä ilmanvaihto.

4 Käyttö

Laitetta on käytettävä sen käyttötarkoituksen mukaisesti. Katso kohta 2.4 Käyttötarkoitus.

4.1 Riskit ja vaarat

Kaikkien käyttäjien on käytävä läpi kaikki kohdassa 1 Turvallisuus kuvatut turvallisuusnäkökohdat ennen kuin he käyttävät laitetta ensimmäistä kertaa.

4.2 Ohjauslaitteet

TrapMaster Proia ohjataan manuaalisesti virtakytkimellä (1), portaittaisella tehonsäätimellä (6), sinisellä kuormituspainikkeella, joka lukitsee kiekon (kiekot), (8) ja punaisella laukaisupainikkeella (9). Numerot viittaavat kohtaan 2.6 TrapMaster Proin toiminnot.

4.3 Toimintatilat

- Manuaalinen käyttö: Käyttäjä kiinnittää kiekon (kiekot) koloon (7) aktivoimalla sinisen latauspainikkeen (8) ja laukaisee sen painamalla punaista laukaisupainiketta (9). Tämä tehdään toistuvasti. Numerot viittaavat kohtaan 2.6 TrapMaster Proin toiminnot.
- Lataaminen: Käyttäjä lataa integroidun ladattavan akun mukana toimitetulla laturilla.

4.4 Käynnistäminen

Joka kerta, kun käynnistät TrapMaster Proin sen jälkeen, kun se on ollut käyttämättömänä edes lyhyen aikaa, sinun on tarkistettava virtakytkimen käyttö hätäkatkaisijana. Miten se tehdään, katso kohta 5 "TrapMaster Proin tarkastus ja testaus".

Ennen TrapMaster Proin käyttöä käyttäjän on myös varmistettava, että:

- Sitä käytetään tukevalla alustalla
- TrapMaster Proin tähtäyssuunnasta nähdessä vasemmalle ja oikealle on 40 asteen avoin näkyvyys
- Edellä mainittujen kulmien sisällä ei ole ihmisiä.

4.5 Savikiekon (-kiekkojen) kiinnitys ja laukaisu

- Ota uusi kiekko (uudet kiekot) (11).
- Tarkista, että kiekko (kiekot) on vahingoittumaton ja ehjä, jos ei, hävitä se ja ota uusi.

- Kytke TrapMaster Pro päälle virtakytkimestä (1).
- Odota, kunnes merkkivalo (2) syttyy ja käynnistysääni on soinut.
 - Kolme nopeaa äänimerkkiä ja yksi pitkä äänimerkki.
- Kun pidät TrapMaster Proia kädessäsi, kallista TrapMaster Proia 90° taaksepäin niin, että kolo (7) osoittaa taivasta kohti ja on vaakasuorassa.
- Aseta kiekko koloon (7) siten, että kiekko (kiekot) lepää(vät) pysäyttimen päällä.
- Paina sinistä latauspainiketta (8) lukitaksesi kiekon (kiekot) koloon.
 - Jos vahingossa painat painiketta ennen kiekon (kiekkojen) asettamista. Paina painiketta ja pidä sitä painettuna, kunnes olet asettanut kiekon (kiekot) koloon.
- Huomaa lyhyt pieni ääni, ja kiekko (kiekot) on lukittu koloon.
- Tarkista vielä kerran, että asento on tukeva ja että vaarallisilla alueilla ei ole ihmisiä.
- Paina punaista laukaisupainiketta (9), jolloin kiekko alkaa kiihtyä ja irtoaa TrapMaster Proista 2-3 sekunnin kuluttua.
- Kun kolon pyöriminen on pysähtynyt, TrapMaster Pro on valmis uudelle kiekolle (uusille kiekkoille), ja voit toistaa toimenpiteen tai kytkeä laitteen pois päältä virtakytkimestä (1).

4.6 Häättilanteet

Käytön aikana voi esiintyä vaaratilanteita, jolloin TrapMaster Pro on pysäytettävä välittömästi. Jos tällainen tilanne esiintyy, kytke laite pois päältä virtakytkimestä (1).

Seuraavat tilanteet voivat vaatia TrapMaster Proin hätäpysäytystä:

- Vaarallinen tilanne
- Äkilliset tuntemattomat olosuhteet, esim. epänormaali ääni (jyrinä, koputus, sihinä), värinä tai kuumeneminen. Tässä tapauksessa käyttäjän on tarkastettava TrapMaster Pro vikojen ja puutteiden varalta ennen kuin se kytketään uudelleen päälle.

4.7 Käytössä syntyneiden jätteiden poistaminen

Kun olet ampunut yhden tai useamman kiekon, muista aina ottaa roskasi mukaan, jolloin jätät luonnon sellaiseksi kuin se oli saapuessasi.

4.8 Kuljetus

Käytä aina TrapMaster Proin mukana toimitettua laukkuja, kun kuljetat tai säilytät TrapMaster Proia.

Sisäänrakennettuun Li-Ion-akkuun sovelletaan vaarallisia aineita koskevan lainsäädännön vaatimuksia. Akku soveltuu käyttäjän kuljetettavaksi maanteillä ilman muita rajoituksia.

Kun tuote lähetetään kolmansien osapuolten toimesta (esim. lentokuljetuksena tai pakettipostina), on noudatettava pakkaamista ja merkintöjä koskevia erityisvaatimuksia. Tuotteen valmistelua varten ota yhteyttä yritykseen, jota aiot käyttää. Huomioi mahdolliset yksityiskohtaisemmat kansalliset säännökset.

5 Huolto ja kunnossapito

Tuotteessa ei ole käyttäjän vaihdettavia osia. TrapMaster Proin tarkastus ja testaus

Komponentti/ koneen osa:	Taajuus:	Miten (menetelmä):	Hyväksyminen / hyväksymättä jättäminen:	Toiminta:	T/T/M (I/T/M) <small>T (T) = Takaisin toimintaan T/T = Tarkasta (testaa) M (M) = Määräaikaan (huuhtaus)</small>
Turvallisuuteen liittyvät tarkastukset ja testaukset:					
Virtakytkin häätäpysäytyskäyt össä.	Joka kerta kun TrapMaster Pro on laitettu sivuun edes lyhyeksi ajaksi ja vähintään kerran vuodessa.	Noudata kohdan "Savikiekon (- kiekkojen) kiinnitys ja laukaisu" ohjeita, mutta ilman kiekkoa. Sammuta laite 1 sekunnin kuluessa moottorin käynnistymisestä virtakytkimestä.	Moottorin on pysähdyttävä välittömästi.	Vikatilanteessa TrapMaster Pro on korjattava, minkä jälkeen toiminta on testattava uudelleen.	T/T (I/T)

6 Puhdistus

Pidä TrapMaster Pro puhtaana. Sammuta TrapMaster Pro käytön jälkeen ja puhdistu TrapMaster Pro asianmukaisesti pölystä ja liasta. Käytä märkää liinaa, johon on lisätty hieman mietoa pesuainetta. Älä liota TrapMaster Proia vedessä. Kuivaa TrapMaster Pro varovasti puhdistuksen jälkeen. Säilytä TrapMaster Pro puhdistamisen jälkeen kuivassa ja turvallisessa ympäristössä. TrapMaster Proia ei saa säilyttää kosteassa tilassa pitkää aikaa.

7 Vianmääritys

7.1 Vianmääritys ja yleinen vikojen tunnistaminen

Jos koneen käytön aikana havaitaan epäsäännönmukaisuutta, asia on tutkittava mahdollisimman pian. Nopealla puuttumisella ja epäkohtien korjaamisella voidaan estää vaaratilanteet ja välttää koneen tarpeeton kuluminen ja raskaus. Jos TrapMaster Pro ei ala toimia kunnolla sen jälkeen, kun se on sammutettu ja käynnistetty uudelleen muutaman kerran, laite on lähetettävä valmistusosoitteeseemme.

Jos esiintyy tuntemattomasta syystä aiheutuvia toistuvia virheitä, laite on tarkastettava kokonaan. Jos ongelmat jatkuvat, ota yhteyttä valmistajaan puhelimitse tai sähköpostitse ja kerro ongelmistasi.

8 Hävittäminen

Tuote kuuluu sähkö- ja elektroniikkalaiteromua koskevan direktiivin 2012/19/EU (WEEE) ja paristoja ja akkuja sekä käytettyjä paristoja ja akkuja koskevan direktiivin 2006/66/EY soveltamisalaan.

Symboli osoittaa, että tätä tuotetta akkuineen ei saa hävittää muun kotitalousjätteen mukana. Paristot ja sähkö- ja elektroniikkalaitteet sisältävät aineita, jotka voivat aiheuttaa vahinkoa ihmisten terveydelle ja ympäristölle, jos niitä ei kierrätetä oikein. Sinun vastuullasi on luovuttaa tämä tuote paikalliseen sähkö- ja elektroniikkalaiteromun (WEEE) keräyspisteeseen kierrätettäväksi. Luovuttamalla tuotteet asianmukaiseen kierrätykseen autat estämään näiden tuotteiden aiheuttamaa tarpeetonta kuormituksen luonnolle ja ympäristölle sekä suojelemaan ihmisten terveyttä. Lisätietoja saat paikallisesta kaupunginvirastosta tai kotitalousjätteen käsittelypalvelusta.



Integroitu akku: Sisäänrakennettu akku on Li-Ion-tyyppinen. Älä pura tuotetta hävittääksesi sen. Sen turvallinen tekeminen edellyttää erityistä osaamista.

9 Kopia EY-vaatimustenmukaisuusvakuutuksesta

EY-vaatimustenmukaisuusvakuutus
2006/42/EF liite II A

Valmistaja ja teknisen tiedoston laatija:

Nimi: Nordic Clays ApS
Osoite: Rolighedsvej 9, 1. TV
Postinumero ja kaupunki: DK-1958 Frederiksberg C

Täten ilmoitetaan, että koneen tyyppi:

- TrapMaster Pro

On valmistettu seuraavien yhteisön direktiivien mukaisesti:

- 2006/42/EF Konedirektiivi
- 2014/30/EU EMC-direktiivi


Friis Arne Petersen

TOIMITUSJOHTAJA

Asema

Kööpenhamina K

Paikka

14.6.2022

Päivämäärä

احرص على قراءة جميع تحذيرات السلامة والتعليمات والرسوم التوضيحية والموصفات المصاحبة لقاذف الأهداف الطينية، TrapMaster Pro. اتبع هذه التحذيرات والتعليمات بعناية فائقة واحتفظ بهم مع TrapMaster Pro لاستخدامها كمرجع في المستقبل.

1 السلامة

تحذير احرص على قراءة جميع تحذيرات السلامة والتعليمات والرسوم التوضيحية والموصفات المتوفرة مع هذه الأداة الكهربائية. عدم اتباع جميع التعليمات المذكورة أدناه قد ينجم عن حدوث صعق كهربائي و/أو حريق و/أو إصابة خطيرة. احتفظ بجميع التحذيرات والتعليمات لاستخدامها كمرجع في المستقبل. يشير مصطلح "أداة كهربائية" المذكور في التحذيرات إلى الأداة الكهربائية التي تعمل بالتيار الكهربائي المباشر (السلكية) أو التي تعمل بالبطارية (اللاسلكية).

السلامة في منطقة العمل

• حافظ على نظافة منطقة العمل احرص على أن تكون الإضاءة جيدة فيها. المناطق الفوضوية أو المظلمة قد تسبب الحوادث.

• لا تُشغَل الأدوات الكهربائية في الأجواء المحتملة للانفجار، مثل وجود سوائل أو غازات أو غبار قابل للاشتعال. ينتج عن الأدوات الكهربائية شرارات قد تتسبب في اشتعال الغبار أو الأبخرة.

• ابعِد الأطفال والمارة أثناء تشغيلك للأداة الكهربائية. قد تفقد السيطرة نتيجة التشتت.

السلامة الكهربائية

- تأكد من مطابقة مقاييس الأداة الكهربائية مع المخرج الكهربائي. ممنوع تمامًا تعديل المقاييس بأي شكل من الأشكال. لا تستخدم أي مقاييس تحويل مع الأداة الكهربائية المورضة. المقاييس غير المحوَّلة والمخارج الكهربائية المطابقة تقلل من خطر التعرُّض للصعق الكهربائي.
- تجنب ملامسة جسدك للأسطح المورضة، مثل الأتياب والمشعات والمواقف والتلجالات. يتزايد خطر التعرُّض للصعق الكهربائي في حالة تاريض جسدك.
- لا تعرِّض الأداة الكهربائية للمطر أو الظروف الجوية الرطبة. دخول المياه إلى الأداة الكهربائية يزيد من خطر التعرُّض للصعق الكهربائي.
- لا تسيء استعمال السلك الكهربائي. ممنوع تمامًا حمل الأداة الكهربائية أو سحبها أو فصلها باستخدام السلك. ابعِد السلك عن الحرارة أو الشحوم أو الحواف الحادة أو الأجزاء المتحركة. الأسلاك التالفة أو المتشابكة تزيد من خطر التعرُّض للصعق الكهربائي.
- عند تشغيل الأداة الكهربائية في المناطق الخارجية، استخدم سلك تمديد مناسب للاستخدام في المناطق الخارجية. استخدم سلك مناسب للاستخدام في المناطق الخارجية يقلل من خطر التعرُّض للصعق الكهربائي.
- إذا تحذمت تشغيل الأداة الكهربائية في مكان رطب، فعليك استخدام مصدر كهربائي مزود بحماية من التيار المتبقي (RCD). استخدم قاطع دائرة التيار المتبقي يقلل من خطر التعرُّض للصعق الكهربائي.


السلامة الشخصية

- كُن حذراً، وانتبه لما تقوم به واستخدم المنطق والحس السليم عند تشغيلك للأداة الكهربائية. لا تستخدم الأداة الكهربائية إذا كُنت مرهقاً أو تحت تأثير العقاقير أو الكحوليات أو الأدوية، الغفل للحظة واحدة أثناء تشغيل الأدوات الكهربائية قد يؤدي إلى إصابة شخصية خطيرة.
- استخدم معدات الحماية الشخصية. احرص دائماً على ارتداء نظارات حماية العين. الاستخدام السليم معدات الحماية الشخصية مثل القناع الواقي من الغبار أو أحذية السلامة غير القابلة للانزلاق أو الخوذة الواقية أو حماية للأذنين في الظروف المناسبة يقلل من الإصابات الشخصية.
- احرص على منع التشغيل غير المقصود. تأكد من أن المفتاح في وضع إيقاف التشغيل قبل توصيل الأداة الكهربائية بمصدر الطاقة وإو البطارية، أو قبل رفع أو حمل الأداة الكهربائية. حمل الأداة الكهربائية وإصبعك موضوعاً على المفتاح أو توصيلها بمصدر الطاقة والمفتاح في وضع التشغيل قد يتسبب في وقوع حوادث.
- ازل أي مفتاح ضبط أو مفتاح ربط قبل تشغيل الأداة الكهربائية. ترك مفتاح الضبط أو مفتاح الربط متصلًا بأحد الأجزاء الدوارة من الأداة الكهربائية قد يتسبب في حدوث إصابة شخصية.
- لا تتجاوز طاقتك. احرص دائماً على الوقوف بشكل مناسب وحافظ على توازن جسدك. فبذلك يمكنك التحكم في الأداة الكهربائية بشكل أفضل في المواقف المفاجئة غير المتوقعة.
- ارتد الملابس الملائمة لتشغيل الأداة الكهربائية. لا ترتدي ملابس فضفاضة أو مجوهرات. احرص على إبعاد شعرك وملابسك عن الأجزاء المتحركة. يمكن للملابس الفضفاضة أو المجوهرات أو الشعر الطويل أن يعلق في الأجزاء المتحركة.
- إذا تم توفير أجهزة لتوصيل مرافق شطف وتجميع الغبار، فتأكد من توصيلها واستخدامها بشكل صحيح. استخدام أنظمة تجميع الغبار قد يقلل من المخاطر المرتبطة بالغبار.
- إذا تودت على استخدام الأداة الكهربائية بفضل الاستخدام المتكرر فلا تسمح لذلك بجعلك متهاوناً في استخدام الأداة ولا تتجاهل مبادئ السلامة المرتبطة بتشغيل الأداة. الإهمال قد يتسبب في إصابة خطيرة في غضة عين.

استخدام الأداة الكهربائية والعناية بها

- لا تجبر الأداة الكهربائية على القيام بما لم تصمم للقيام به. استخدم أداة الكهربائية المناسبة للمهمة. ستنتج الأداة الكهربائية العمل بشكل أفضل وأكثر أماناً بالمعدل الذي صممت من أجله.
- لا تستخدم الأداة الكهربائية إذا تلف المفتاح ولم يعد يقوم بتشغيلها وإيقاف تشغيلها. أي أداة كهربائية لا يمكن التحكم فيها باستخدام المفتاح تعتبر أداة خطيرة ويلزم إصلاحها.
- قبل إجراء أي تعديلات أو تغيير الملحقات أو تخزين الأداة الكهربائية، تأكد من فصل القابس من مصدر الطاقة وأو قم بإزالة البطارية، إذا كانت قابلة للفصل. تدابير السلامة الوقائية هذه من شأنها تقليل من خطر التشغيل غير المتعمد للأداة الكهربائية.
- خزن الأداة الكهربائية بعيداً عن متناول الأطفال ولا تسمح للأشخاص غير المعتادين على تشغيل الأداة الكهربائية أو من لم يقرأوا هذه التعليمات. الأدوات الكهربائية خطيرة في أيدي غير المدربين.
- احرص على صيانة الأداة الكهربائية وملحقاتها. افحصها بحثاً عن علامات عدم الاتساق أو احتناء في الأجزاء المتحركة أو كسور أو أي حالة أخرى قد تؤثر على تشغيل الأداة الكهربائية. إذا كانت الأداة الكهربائية تالفة، فقم بإصلاحها قبل الاستخدام. سوء صيانة الأدوات الكهربائية يتسبب في العديد من الحوادث.
- حافظ على نظافة أدوات القطع وحدثتها. أدوات القطع التي يتم صيانتها بشكل صحيح مع حواف القطع الحادة أقل عرضة للانحناء ويسهل التحكم فيها.
- استخدم الأداة الكهربائية وملحقاتها وأقم الأداة ونحو ذلك وفقاً لهذه التعليمات، مع مراعاة ظروف العمل والمهمة المطلوبة. استخدام الأداة الكهربائية في تنفيذ مهام مختلفة عما صممت من أجله قد يتمخض عنه أوضاع خطيرة.
- حافظ على المقابض وأسطح الإمساك جافة ونظيفة وخالية من الزيوت والشحوم. المقابض وأسطح الإمساك الزلقة لا تتيح التعامل الآمن مع الأداة الكهربائية والتحكم فيها في المواقف المفاجئة غير المتوقعة.

استخدام البطارية والعناية بها

- لا تستخدم إلا الشاحن المحدد من قبل الشركة المصنعة لإعادة شحن الأداة الكهربائية. الشاحن المناسب لنوع معين من البطاريات قد يتسبب في نشوب حرائق عند استخدامه مع بطارية من نوع آخر.
- لا تستخدم الأداة الكهربائية إلا مع البطاريات المخصصة لها. قد يؤدي استخدام أي بطاريات أخرى قد يتمخض عنه خطر الإصابة والحريق.
- في حالة عدم استخدام البطارية، احتفظ بها بعيداً عن الأشياء المعدنية الأخرى التي يمكنها التوصيل من طرف إلى آخر، مثل مشابك الورق أو العملات المعدنية أو المفاتيح أو المسامير أو البراغي أو الأشياء المعدنية الصغيرة الأخرى. التوصيل المباشر لأطراف البطارية معاً قد يتسبب في حروق أو نشوب حريق.
- تحت ظروف الاستعمال المسبنة، قد يتدفق السائل خارج البطارية؛ فتجنب ملامسة هذا السائل. في حالة الملامسة عن طريق الخطأ، فاغسل مكان التلامس بالماء. إذا لامس السائل العينين، فيجب طلب المساعدة الطبية أيضاً. قد يتسبب السائل المندفق من البطارية في حدوث تهيج أو حروق.
- لا تستخدم بطارية أو أداة تالفة أو معدلة. البطاريات التالفة أو المعدلة قد تظهر سلوكاً غير متوقع يؤدي إلى نشوب حريق أو انفجار أو خطر الإصابة.
- لا تعرّض البطارية أو الأداة الكهربائية للحرارة المرتفعة. التعرّض للحرارة المرتفعة قد يضر البطارية أو الأداة الكهربائية. لا تستخدم البطارية في درجات حرارة أعلى من 130 درجة مئوية.
- قد يتسبب في حدوث انفجار.  منوية
- اتبع جميع تعليمات الشحن ولا تشحن البطارية أو الأداة الكهربائية خارج نطاق درجة الحرارة المحدد في التعليمات. الشحن غير الصحيح أو في درجات حرارة خارج النطاق المحدد قد يتسبب في تلف البطارية ويؤدي من خطر نشوب حريق.

- لا تقم بصيانة أداتك الكهربائية إلا بواسطة فني إصلاح موهل باستخدام قطع غير متطابقة. وذلك للحفاظ على سلامة الأداة الكهربائية.
- إياك وصيانة البطاريات التالفة. يجب صيانة البطاريات فقط من قبل الشركة المُصنَّعة أو مقدمي الخدمة المعتمدين.

تحذيرات السلامة لجهاز TrapMaster Pro

- لا تبعت أو تلبأ بأدأ باستخدام TrapMaster Pro. لا توجّه أو تصوب الجهاز على أي شخص أو الحيوانات. استخدم TrapMaster Pro فقط في المناطق الخارجية وفي الأماكن المفتوحة. قم بإطلاق الهدف في الهواء دائماً.
- استخدم TrapMaster Pro فقط في ميادين الرماية الدائمة أو المؤقتة. لا يجوز ترك أهداف الأطلاق الفخارية المستخدمة، سواء كانت سليمة أو مفتتة، في الأماكن الخاصة أو العامة حيث قد يلتقطها أو يلامسها الأشخاص أو الأطفال أو الحيوانات أو الماشية عن طريق الصدفة.
- بالإضافة إلى استخدام نظارات حماية العين، احرص دائماً على استخدام حماية للأذنين عند استخدام TrapMaster Pro والوضوء الناتجة عن الرماية بالقرب من الرماة. حماية العين مهمة لتفادي المخاطر المرتبطة باستخدام TrapMaster Pro والوضوء الناتجة عن الرماية تضر بأذنيك.
- امسك TrapMaster Pro دائماً بإحكام وذراعك ممتداً باستقامة بصوب نحو المسار المقصود للهدف (الأهداف) الفخاري. سيضمن ذلك إطلاق المقذوف في مسار واضح. الإطلاق بذراع منحني قد يتسبب في خروج الهدف الفخاري من TrapMaster Pro بمسافة غير آمنة وقريبة جداً من مستخدم TrapMaster Pro والأشخاص القريبين.
- لا تصوب أو توجّه أو تُطلق على أي شخص أو حيوانات. أطلق الهدف في الهواء دائماً. يلزم وضوح الرؤية في نطاق 40 درجة إلى يسار ويمين اطلاق الهدف من TrapMaster Pro. وذلك لضمان أن مستخدم TrapMaster Pro يمكنه ملاحظة الأشخاص والحيوانات والماشية الذين قد يدخلون ميدان الرماية عن طريق الصدفة وأخذ قرار بعدم إطلاق هدف جديد.
- إياك أن تحاول أبداً إيقاف الهدف الفخاري الدوار بيديك أو بوضع عنصر ما أمام TrapMaster Pro، بعد الضغط على زر الإطلاق الأحمر. إذا كنت تريد إيقاف الهدف الفخاري فافعل ذلك عن طريق إيقاف تشغيل TrapMaster Pro على زر مفتاح الطاقة الخاص بالجهاز. الهدف الفخاري هش وسيتهشم ويتحول إلى شظايا إذا اصطدم بشيء ما. هذه الشظايا قد تكون حوافها حادة وقادرة على إحداث ضرر.
- قبل الضغط على زر الإطلاق الأحمر، تأكد دائماً من عدم وقوف أي شخص أمام فوهة الجهاز وأن كل الأشخاص القريبين متخذين مسافات الأمان المناسبة. تأكد من أن الجميع يرون الشخص الذي يطلق الأهداف الفخارية باستخدام TrapMaster Pro.
- لا تستخدم سوى الأهداف الفخارية الأصلية من شركة Nordic Clays المُصنَّعة لجهاز TrapMaster Pro. الأهداف الفخارية الأخرى المتباينة في القوة والوزن والتوازن وتأثير المادة الدافعة ونحو ذلك قد تتسبب في مخاطر غير متوقعة وتُتلف جهاز TrapMaster Pro.

مسافات الأمان

- عند إطلاق الهدف الفخاري، ممنوع وقوف شخص أو حيوان أو ماشية أمام مستخدم جهاز TrapMaster Pro على مسافة أقل من 120 مترًا أو في منطقة مستطيلة بمسافة مترين إلى اليسار ومترين إلى اليمين ومتر واحد إلى الخلف. وهذا لحماية الأشخاص القريبين من الشظايا الفخارية في حالة تهشم الهدف فور الإطلاق أو بعد الإطلاق مباشرة.
- المستخدمون
- ينبغي أن يتمتع البالغون، الذين قرأوا وفهموا كتيب التعليمات وأصبحوا مدركين لوظائف جهاز TrapMaster Pro وتعليمات السلامة ونحو ذلك، بصحة جسدية ونفسية جيدة، وكذلك يجب أن يكون بصرهم وسمعهم طبيعيين حتى لو باستخدام النظارات الطبية/سماعات للأذن.
- غير مسموح للأشخاص دون 16 عامًا باستخدام TrapMaster Pro. استخدام الشباب بين 16 و 17 عامًا للجهاز يجب أن يكون تحت إشراف المستخدمين ذوي الخبرة وأن يستوفوا متطلبات المستخدمين البالغين. الفئة العمرية بين 16 و 17 عامًا قد يخلطون بين سلطات من هم أكبر منهم وقد يكون وعيهم بالمخاطر أضعف.

2 نظرة عامة على المنتج

2.1 الشركة المُصنَّعة

Nordic Clays ApS
1958-DK Frederiksberg C
الهاتف: +45 22 88 29 93
البريد الإلكتروني: info@nordicclays.com
www.nordicclays.com

2.2 التسمية التجارية لأداة قذف الأهداف الفخارية

التسمية الكاملة: TrapMaster Pro 1.0

2.3 الاستخدام المستهدف

صُمم هذا الجهاز ليتم حمله بذراع مستقيمة وتوجيهه للأمام لإطلاق أهداف عبارة عن أطباق دائرية مكوّنة من مواد حيوية، والتي تعمل كأهداف فخارية للرمية عليها.

2.4 الاستعمالات المحظورة

لا يجوز استخدام TrapMaster Pro إلا في الاستخدامات المستهدفة منه. لا يجوز للمستخدم تفكيك TrapMaster Pro وإطلاقاً وإلا سيتم إلغاء وإبطال الضمان.

2.5 المكونات المصوّرة

ترقيم المكونات المصوّرة يشير إلى الرسم التوضيحي للأداة الكهربائية الوارد في الصفحة 2.

78: مفتاح الطاقة (تشغيل / إيقاف)

79: مؤشر ليد لمستويات البطارية

a. مستويات البطارية:

i. أخضر = 33-100%

ii. أحمر = 0-33%

80: بطارية متكاملة قابلة لإعادة الشحن (الليثيوم أيون)

81: مقبس لشاحن البطارية

82: مؤشر ليد للشحن

a. الضوء الأحمر = جاري الشحن

b. بدون ضوء = مشحون بالكامل.

83: منظم طاقة تدريجي (درجات من 0 إلى 9)

a. هي السرعة الأعلى

b. هي السرعة الأقل

84: عمود الدوران

85: زر التحميل الأزرق لتلقيم وتثبيت الهدف الفخاري على العمود

a. إذا كانت المخالب مشدودة للخارج، فيمكن الضغط باستمرار على الزر لدفعها للداخل مرة أخرى.

i. عند الضغط باستمرار على هذا الزر، لن يعمل الزر الأحمر (9).

b. يمكن أيضاً إعادة تشغيل الجهاز، لدفع المخالب للداخل مرة أخرى.

86: الزر الأحمر لإطلاق الأهداف الفخارية

87: المقبض

88: الهدف الفخاري

a. يمكن تلقيمها وتثبيتها على في العمود من أي جهة (7)

2.6 كيفية عمل TrapMaster Pro

يتم تشغيل TrapMaster Pro باستخدام مفتاح الطاقة (1)، ويتم تثبيت الأهداف الفخارية (11) على العمود (7)، ويُستخدم زر التلقيم الأزرق (8) في تنشيط "المخالب" الثلاثة، ويتم إطلاق الأهداف الفخارية بواسطة زر الإطلاق الأحمر (9). عندما تتوافق سرعة دوران الهدف الفخاري مع إعداد منظم الطاقة التدريجي (6)، يتحرك العمود للأمام قليلاً وفي نفس الوقت يتم شد المخالب إلى الخارج وينقذف الهدف الفخاري من TrapMaster Pro، ثم يتوقف دوران العمود بعد الإطلاق بوهلة. عندما يتوقف العمود عن الدوران، يصبح TrapMaster Pro جاهزاً لإطلاق هدف جديد.

2.7 المواصفات الفنية

2.7.1 الوزن

2.0 كغم

72

الجهد المقنن:	15 فولت تيار مستمر
تيار الشحن الأقصى:	1.2 أمبير
الشاحن الموصى به:	TDX-1501200

2.8 الانبعاثات والضجيج

لا يتجاوز مستوى ضغط صوت الانبعاثات المرجح من الفئة "أ" الصادر من TrapMaster Pro عن 70 ديسيبل (أ)

2.9 ظروف التشغيل والتخزين

في المناطق الخارجية مع ضرورة توفر رؤية واضحة في ميادين الرماية على الأهداف الفخارية الدائمة او المؤقتة.

البيئة	
نطاق درجة الحرارة المحيطة المسموح به أثناء التشغيل والتخزين.	-10 إلى +40 درجة مئوية
نطاق درجة الحرارة المحيطة الموصى به للتخزين لفترة طويلة (أكثر من 3 أشهر).	20 ± 5 درجة مئوية
نطاق درجة الحرارة المحيطة الموصى به أثناء الشحن.	0 إلى +35 درجة مئوية
الرطوبة النسبية المسموح بها (غير المكثفة)	الحد الأدنى 20% الحد الأقصى 90%
الرطوبة النسبية الموصى بها للتخزين لفترة طويلة (أكثر من 3 أشهر).	20 ± 65%
بيئة التوافق الكهرومغناطيسي	ب، (العقارات السكنية أو مواقع الصناعات الخفيفة أو المناطق المماثلة)

2.10 العمر الافتراضي للجهاز

من المتوقع أن يعمل TrapMaster Pro لمدة خمسة أعوام. بعد انقضاء الخمسة أعوام، يتعين صيانة TrapMaster Pro أو تجديده بإصلاح شامل من قبل الشركة المُصنعة.

3 الشحن

لا تستخدم سوى الشاحن المُوصَّح اسمه في قسم "مصدر الطاقة الكهربائية" أو شاحن آخر بمواصفات متطابقة.

إذا قمت بتشغيل TrapMaster Pro ولم يصدر من مؤشر الليد (2) أي ضوء على الإطلاق، فذلك مؤشر على أن البطارية فارغة تمامًا وبحاجة إلى الشحن. عندما يصدر ضوءًا أحمرًا، فحينها تكون سعة البطارية أقل من 33%. يجب أن يكون الضوء إما أخضر أو أصفر أو أحمر حتى يكون TrapMaster Pro جاهزًا وقادرًا على أداء وظائفه.

خطوات شحن TrapMaster Pro:

- أزل المقيس الوافي (4)
- وصل قابس الشاحن الصغير
- وصل الشاحن بقابس الحائط
- تأكد من إضاءة مؤشر الليد الأحمر (5) الخاص بالشحن للإشارة بأن الشحن جاري
- دع الجهاز على الشاحن حتى ينطفئ مؤشر الليد الخاص بالشحن، مشيرًا إلى اكتمال الشحن.
- فصل الشاحن من قابس الحائط ثم من TrapMaster Pro
- أعد المقيس الوافي مرة أخرى في القابس (4)

يجب الحرص دائمًا على شحن TrapMaster Pro في وضع إيقاف التشغيل.

تجنّب تغطية شاحن البطارية أو جزء البطارية من TrapMaster Pro أسفل المقبض أثناء عملية الشحن، وتأكد كذلك من أن المكان به تهوية جيدة.

4 التشغيل

يجب تشغيل الجهاز بما يتوافق مع الاستخدام المستهدف له. أنظر القسم 2.4 الاستخدام المستهدف.

4.1 المخاطر والأخطار

يجب على كل مستخدم قراءة جميع تعليمات السلامة الموضحة في القسم 1 (السلامة) بعناية قبل تشغيل الجهاز لأول مرة.

4.2 عناصر التحكم

يتم التحكم في TrapMaster Pro يدويًا بواسطة مفتاح الطاقة (1)، ومنظم الطاقة التدريجي (6)، وزر التلقيم الأزرق لتثبيت الهدف الفخاري (8) وزر الإطلاق الأحمر (9). تشير الأرقام إلى القسم 2.6 (مزايا TrapMaster Pro).

4.3 أوضاع التشغيل

- التشغيل اليدوي: يقوم المستخدم بتثبيت الهدف الفخاري في العمود (7) عن طريق الضغط على زر التلقيم الأزرق (8) ثم إطلاق الهدف بالضغط على زر الإطلاق الأحمر (9). يتم تكرار هذه العملية مع كل هدف. تشير الأرقام إلى القسم 2.6 (مزايا TrapMaster Pro).
- الشحن: يقوم المستخدم بشحن البطارية المدمجة القابلة لإعادة الشحن باستخدام الشاحن المرفق مع الجهاز.

4.4 بدء الاستخدام

في كل مرة تبدأ فيها استخدام TrapMaster Pro بعد ركنه لفترة قصيرة، يتعين عليك التحقق من مفتاح الطاقة لاستخدامه لإيقاف الجهاز في حالات الطوارئ. لمعرفة كيفية القيام بذلك، أنظر القسم 5 (فحص واختبار TrapMaster Pro).

قبل استخدام TrapMaster Pro، يتعين على المستخدم أيضًا التأكد من:

- أنه يقف بطريقة سليمة
- وضوح الرؤية في نطاق 40 درجة إلى يسار ويمين اتجاه التصويب
- عدم وجود أشخاص داخل الزوايا المذكورة أعلاه.

4.5 تركيب وإطلاق الأهداف الفخارية

- التقط هدف فخاري جديد (11).
- افحص الهدف الفخاري للتأكد من أنه سليم وغير تالف، وإذا تبين لك غير ذلك، فتخلص من الهدف والتقط هدفًا آخرًا.
- شغّل TrapMaster Pro بالضغط على مفتاح الطاقة (1).
- انتظر حتى يضيء مؤشر الليد (2) وسماع صوت بدء التشغيل.
 - ثلاث صفارات سريعة وصفارة واحدة طويلة.
- احمل TrapMaster Pro في يدك وأمل الجهاز بزاوية 90 درجة للخلف، بحيث يكون العمود (7) موجه نحو السماء في وضع أفقي.
- ضع الهدف الفخاري على العمود (7) حتى يستقر.
- اضغط على زر التلقيم الأزرق (8) لتثبيت الهدف الفخاري على العمود.

- إذا ضغطت على الزر بالخطأ قبل وضع الهدف الفخاري. اضغط مع الاستمرار على الزر حتى تضع الهدف الفخاري على العمود.
- انتبه إلى الصوت القصير والضعيف لتأكيد أن الهدف الفخاري مثبت في العمود.
- تحقق مرة أخرى من أنك تتف ببطريقة سليمة ومن عدم وجود أشخاص داخل المناطق الخطرة.
- اضغط على زر الإطلاق الأحمر (9) لبيدأ الهدف في الفخاري في التقاط السرعة وينطلق من TrapMaster Pro بعد 2-3 ثوان.
- عند توقف العمود عن الدوران، يصبح TrapMaster Pro جاهزًا لهدف جديد ويمكنك تكرار العملية أو إيقاف تشغيل الجهاز من مفتاح الطاقة (1).

4.6 حالات الطوارئ

المواقف الخطيرة عرضة للحدوث أثناء الاستخدام حيث يلزم إيقاف TrapMaster Pro بشكل فوري. في مثل هذه المواقف، قم بإيقاف تشغيل الجهاز من مفتاح الطاقة (1).

الحالات التالية تستوجب إيقاف TrapMaster Pro بشكل طارئ:

- موقف خطير
- ظروف مفاجئة غير معروفة، على سبيل المثال، سماع ضجيج غير طبيعي (هدير، طرق، أزيز) أو الإحساس باهتزازات أو حرارة غير طبيعية. في هذه الحالة، على المستخدم فحص TrapMaster Pro بحثًا عن الأعطال والعيوب قبل تشغيله مرة أخرى.

4.7 إزالة النفايات الناتجة

بعد الرماية على هدف فخاري أو عدة أهداف فخارية، احرص دومًا على أخذ القمامة التي خلقتها معك لتترك المكان كما وجدته عند وصولك والحفاظ على البيئة.

4.8 النقل

احرص دائمًا على استخدام الحقيبة المزودة مع TrapMaster Pro عند نقله أو تخزينه.

تخضع بطارية الليثيوم أيون المدمجة لمتطلبات تشريعات نقل البضائع الخطرة. البطارية مناسبة للنقل البري من قبل المستخدم دون مزيد من القيود.

عند شحن المنتج من قبل أطراف ثالثة (على سبيل المثال: عن طريق النقل الجوي أو الطرود البريادية)، يجب مراعاة متطلبات التعبئة والتغليف والتوسيم الخاصة. لتحضير المنتج للشحن، استشر الشركة التي تنوي الاستعانة بها. ضع في اعتبارك دائمًا احتمالية وجود لوائح محلية بتفاصيل أكثر.

5 الصيانة

لا يتضمن الجهاز أي قطع يمكن للمستخدم استبدالها بنفسه.

فحص واختبار TrapMaster Pro

ف/ا/ق ف = الفحص، ا = الاختبار ق = القياس	الإجراء:	رد الفعل	الكيفية (الطريقة):	تكرار الاستخدام:	المكون/ الجزء:
فحص واختبار السلامة					
الفحص/الاختبار	في حالة حدوث عطل، يجب إصلاح TrapMaster Pro ثم اختبار الوظيفة مرة أخرى.	ينبغي أن يتوقف المحرك على الفور.	اتبع التعليمات الواردة في قسم "تركيب وإطلاق الأهداف الفخارية"، ولكن بدون الأهداف الفخارية. بعد ثمانية واحدة من بدء تشغيل المحرك، قم بإيقاف تشغيل الجهاز من مفتاح الطاقة.	في كل مرة بعد ركن جهاز TrapMaster Pro حتى لفترة قصيرة ومرة واحدة على الأقل في السنة.	استخدام مفتاح الطاقة لإيقاف الجهاز في حالات الطوارئ.

6 التنظيف

حافظ على نظافة TrapMaster Pro بعد الاستخدام، قم بإيقاف تشغيل TrapMaster Pro وتنظيفه جيدًا من الغبار والأوساخ. استخدم قطعة قماش مبللة وقليل من أحد المنظفات الخفيفة. لا تنقع TrapMaster Pro في الماء. جفف TrapMaster Pro برفق بعد التنظيف. بعد التنظيف، خزّن TrapMaster Pro في مكان جاف وآمن. ممنوع تخزين TrapMaster Pro في منطقة رطبة ومبللة لفترات طويلة.

7 استكشاف الأخطاء وإصلاحها

7.1 استكشاف الأخطاء وإصلاحها وتحديد الأخطاء العامة

عند اكتشاف أي أخطاء أثناء تشغيل الجهاز، يجب التحقيق لتحديد الخطأ في أقرب وقت ممكن. التدخل والتصحيح السريع للأخطاء من شأنه الحيلولة دون حدوث مواقف خطيرة، وكذلك تجنب البلى والضغط غير الضروريين على الجهاز. إذا لم يعمل TrapMaster Pro بشكل صحيح بعد إيقاف وإعادة تشغيله عدة مرات، فيجب إرسال الجهاز إلى عنوان مصنعنا.

في حالة تكرار الأخطاء بسبب عيب غير معروف، يجب إجراء فحص شامل للجهاز. إذا استمرت المشكلة، فاتصل بالشركة المُصنّعة عبر الهاتف أو البريد الإلكتروني، مع توضيح الأخطاء التي تواجهك.

8 التخلص من المنتج

يخضع هذا المنتج لتوجيه الاتحاد الأوروبي رقم EU/19/2012 بشأن نفايات المعدات الكهربائية والإلكترونية والتوجيه رقم EC/66/2006 بشأن البطاريات والمراكمات ونفاياتها.

يشير الرمز إلى أنه يجب عدم التخلص من هذا المنتج بما في ذلك البطارية مع نفاياتك المنزلية الأخرى. تحتوي البطاريات والمعدات الكهربائية والإلكترونية على مواد قد تسبب أضرارًا لصحة الإنسان والبيئة إذا لم يتم إعادة تدويرها بشكل سليم. أنت مسؤول عن تسليم هذا المنتج إلى أحد نقاط تجميع نفايات المعدات الكهربائية والإلكترونية المحلية لإعادة تدويرها. بتسليمك للمنتج لأحد مرافق إعادة التدوير، فأنت تساعد على منع هذه المنتجات من التسبب في أي أضرار يمكن تفاديها للطبيعة والبيئة وحماية صحة الإنسان. لمزيد من المعلومات، يُرجى الاتصال بمكتب المدينة المحلي أو خدمة التخلص من النفايات المنزلية.



البطارية المدمجة: البطارية المدمجة هي من نوع ليثيوم أيون. لا تفكك المنتج للتخلص منه. حيث أن القيام بذلك بطريقة آمنة يستلزم معرفة متخصصة.

إعلان المطابقة الأوروبية (EC)
II A ملحق EF/42/2006

الشركة المصنعة ومُعد الملف الفني:

الاسم:
العنوان:
الرمز البريدي والمدينة:

Nordic Clays ApS
Rolighedsvej 9, 1. TV
1958-DK Frederiksberg C

أعلن بموجب هذا المستند أن الجهاز من النوع:

TrapMaster Pro -

تم تصنيع وفقاً لتوجيهات المجتمع التالية:

- توجيه EF/42/2006 بشأن الآلات
- توجيه EU/30/2014 بشأن التوافق الكهرومغناطيسي

Finn Andersen
فريس أرني بيترسن

الرئيس التنفيذي
المنصب

كوبنهاغن ك
المكان

2022-06-14
التاريخ

Achtung!

Lesen Sie alle Sicherheitshinweise, Anweisungen, Abbildungen und Spezifikationen, die mit dem Tontaubenwurfgerät TrapMaster Pro geliefert werden. Befolgen Sie sie sorgfältig und bewahren Sie sie zusammen mit dem TrapMaster Pro auf, um sie bei Bedarf nachschlagen zu können.

1 Sicherheit

⚠️ WARNUNG Lesen Sie alle Sicherheitshinweise, Anweisungen, Abbildungen und Spezifikationen, die mit diesem elektrischen Gerät geliefert werden. Die Nichtbeachtung aller unten aufgeführten Anweisungen kann zu einem elektrischen Schlag, Brand und/oder schweren Verletzungen führen.

Bewahren Sie alle Warnhinweise und Anweisungen für späteres Nachschlagen auf.

Der Begriff "Elektrisches Gerät" in den Warnhinweisen bezieht sich auf Ihr netzbetriebenes (kabelgebundenes) Gerät oder Ihr akkubetriebenes (schnurloses) Gerät.

Sicherheit im Arbeitsbereich

- **Halten Sie den Arbeitsbereich sauber und gut beleuchtet.** *Unübersichtliche oder dunkle Bereiche können zu Unfällen führen.*
- **Betreiben Sie elektrische Geräte nicht in explosionsgefährdeten Bereichen, wie z. B. in der Nähe von brennbaren Flüssigkeiten, Gasen oder Staub.** *Elektrische Geräte erzeugen Funken, die den Staub oder die Dämpfe entzünden können.*
- **Halten Sie Kinder und Unbeteiligte fern, während Sie ein elektrisches Gerät bedienen.** *Ablenkungen können dazu führen, dass Sie die Kontrolle verlieren.*

Elektrische Sicherheit

- **Die Stecker von elektrischen Geräten müssen zur Steckdose passen. Verändern Sie niemals den Stecker in irgendeiner Weise. Verwenden Sie bei geerdeten Elektrowerkzeugen keine Adapterstecker.** *Unveränderte Stecker und passende Steckdosen verringern das Risiko eines Stromschlags.*
- **Vermeiden Sie Körperkontakt mit geerdeten Oberflächen, wie Rohren, Heizkörpern, Herden und Kühlschränken.** *Es besteht ein erhöhtes Risiko eines Stromschlags, wenn Ihr Körper geerdet ist.*
- **Setzen Sie elektrische Geräte nicht Regen oder Nässe aus.** *Wenn Wasser in ein elektrisches Gerät eindringt, erhöht sich die Gefahr eines Stromschlags.*
- **Setzen Sie das Kabel keinen unangebrachten Belastungen aus. Verwenden Sie das Kabel niemals zum Tragen, Ziehen oder Ausstecken des elektrischen Geräts. Halten Sie das Kabel von Hitze, Öl, scharfen Kanten oder beweglichen Teilen fern.** *Beschädigte oder verwickelte Kabel erhöhen das Risiko eines Stromschlags.*
- **Wenn Sie ein elektrisches Gerät im Freien betreiben, verwenden Sie ein für die Verwendung im Freien geeignetes Verlängerungskabel.** *Die Verwendung eines für die Verwendung im Freien geeigneten Kabels verringert das Risiko eines Stromschlags.*
- **Wenn der Betrieb eines elektrischen Geräts in einer feuchten Umgebung unvermeidlich ist, verwenden Sie eine durch einen Fehlerstromschutzschalter (FI) geschützte Stromversorgung.** *Die Verwendung eines FI-Schalters verringert das Risiko eines Stromschlags.*


Persönliche Sicherheit

- **Bleiben Sie wachsam, passen Sie auf, was Sie tun, und benutzen Sie Ihren gesunden Menschenverstand, wenn Sie ein elektrisches Gerät bedienen. Benutzen Sie ein elektrisches Gerät nicht, wenn Sie müde sind oder unter dem Einfluss von Drogen, Alkohol oder Medikamenten stehen.** *Ein Moment der Unachtsamkeit bei der Bedienung von elektrischen Geräten kann zu schweren Verletzungen führen.*
- **Verwenden Sie persönliche Schutzausrüstung. Tragen Sie immer einen Augenschutz.** *Schutzausrüstungen wie Staubmaske, rutschfeste Sicherheitsschuhe, Schutzhelm oder Gehörschutz, die unter geeigneten Bedingungen verwendet werden, verringern die Zahl der Verletzungen.*
- **Verhindern Sie ein unbeabsichtigtes Starten. Vergewissern Sie sich, dass der Schalter ausgeschaltet ist, bevor Sie das Gerät an die Stromquelle und/oder den Akku anschließen oder es in die Hand nehmen oder tragen. Das Tragen von elektrischen Geräten mit dem Finger auf dem Schalter oder das Einschalten von elektrischen Geräten, bei denen der Schalter eingeschaltet ist, kann zu Unfällen führen.**
- **Entfernen Sie vor dem Einschalten des elektrischen Geräts alle Einstellschlüssel oder Schraubenschlüssel.** *Ein Schraubenschlüssel oder ein Schlüssel, der an einem rotierenden Teil des elektrischen Geräts verbleibt, kann zu Verletzungen führen.*
- **Lehnen Sie sich nicht zu weit. Achten Sie immer auf den richtigen Stand und Ihr Gleichgewicht.** *Dies ermöglicht eine bessere Kontrolle des elektrischen Geräts in unerwarteten Situationen.*
- **Tragen Sie angemessene Kleidung. Tragen Sie keine weite Kleidung und keinen Schmuck. Halten Sie Ihre Haare und Kleidung von beweglichen Teilen fern.** *Lose Kleidung, Schmuck oder lange Haare können sich in beweglichen Teilen verfangen.*
- **Wenn Vorrichtungen für den Anschluss von Staubabsaug- und -auffangeinrichtungen vorhanden sind, stellen Sie sicher, dass diese angeschlossen sind und ordnungsgemäß verwendet werden.** *Der Einsatz einer Staubabsaugung kann staubbedingte Gefahren verringern.*
- **Lassen Sie nicht zu, dass Sie aufgrund der Vertrautheit, die Sie durch den häufigen Gebrauch von Geräten erlangt haben, selbstgefällig werden und die Grundsätze der Gerätesicherheit ignorieren.** *Eine unachtsame Handlung kann im Bruchteil einer Sekunde zu schweren Verletzungen führen.*

Einsatz und Pflege von elektrischen Geräten

- **Setzen Sie das elektrische Gerät nicht mit Gewalt ein. Verwenden Sie das richtige elektrische Gerät für Ihre Anwendung.** *Das richtige elektrische Gerät erledigt die Arbeit besser und sicherer mit der Geschwindigkeit, für die es entwickelt wurde.*
- **Verwenden Sie das elektrische Gerät nicht, wenn der Schalter es nicht ein- und ausschaltet.** *Jedes elektrische Gerät, das nicht mit dem Schalter gesteuert werden kann, ist gefährlich und muss repariert werden.*
- **Ziehen Sie den Stecker von der Stromquelle ab und/oder entfernen Sie den Akku, falls er abnehmbar ist, aus dem elektrischen Gerät, bevor Sie Einstellungen vornehmen, Zubehörteile wechseln oder elektrische Geräte lagern.** *Durch diese vorbeugenden Sicherheitsmaßnahmen wird das Risiko einer unbeabsichtigten Inbetriebnahme des elektrischen Geräts verringert.*
- **Bewahren Sie ungenutzte elektrische Geräte außerhalb der Reichweite von Kindern auf und lassen Sie Personen, die mit dem elektrischen Gerät oder dieser Anleitung nicht vertraut sind, das elektrische Gerät nicht bedienen.** *Elektrische Geräte sind in den Händen von ungeschulten Benutzern gefährlich.*
- **Wartung von elektrischen Geräten und Zubehör.** **Prüfen Sie, ob bewegliche Teile falsch ausgerichtet sind oder klemmen, ob Teile gebrochen sind und ob andere Bedingungen vorliegen, die den Betrieb des elektrischen Geräts beeinträchtigen könnten.** **Lassen Sie das elektrische Gerät bei Beschädigung vor der Verwendung reparieren.** *Viele Unfälle werden durch schlecht gewartete elektrische Geräte verursacht.*
- **Halten Sie Schneidwerkzeuge scharf und sauber.** *Ordnungsgemäß gewartete Schneidwerkzeuge mit scharfen Schneiden verkleben sich seltener und sind leichter zu kontrollieren.*
- **Verwenden Sie das elektrische Gerät, das Zubehör und die Bits usw. gemäß dieser Anleitung und unter Berücksichtigung der Arbeitsbedingungen und der auszuführenden Arbeiten.** *Die Verwendung des elektrischen Geräts für andere als die vorgesehenen Arbeiten kann zu einer gefährlichen Situation führen.*
- **Halten Sie Griffe und Griffflächen trocken, sauber und frei von Öl und Fett.** *Rutschige Griffe und Griffflächen ermöglichen keine sichere Handhabung und Kontrolle des Werkzeugs in unerwarteten Situationen.*

Verwendung und Pflege von Akku-betriebenen Geräten

- **Laden Sie nur mit dem vom Hersteller angegebenen Ladegerät auf.** *Ein Ladegerät, das für einen Akkutyp geeignet ist, kann bei Verwendung mit einem anderen Akkutyp eine Brandgefahr darstellen.*
- **Verwenden Sie elektrische Geräte nur mit speziell dafür vorgesehenen Akkus.** *Bei Verwendung anderer Akkus besteht Verletzungs- und Brandgefahr.*
- **Wenn der Akku nicht in Gebrauch ist, halten Sie ihn von anderen Metallgegenständen wie Büroklammern, Münzen, Schlüsseln, Nägeln, Schrauben oder anderen kleinen Metallgegenständen fern, die eine Verbindung von einem Anschluss zum anderen herstellen können.** *Das Kurzschließen der Akkupole kann zu Verbrennungen oder einem Brand führen.*
- **Unter ungünstigen Bedingungen kann Flüssigkeit aus dem Akku austreten; vermeiden Sie den Kontakt.** **Bei versehentlichem Kontakt spülen Sie mit Wasser.** **Bei Flüssigkeitskontakt mit den Augen suchen Sie zusätzlich einen Arzt auf.** *Aus dem Akku austretende Flüssigkeit kann Reizungen oder Verbrennungen verursachen.*
- **Verwenden Sie keine beschädigten oder modifizierten Akkus oder Geräte.** *Beschädigte oder modifizierte Akkus können ein unvorhersehbares Verhalten zeigen, das zu Feuer, Explosion oder Verletzungsgefahr führen kann.*
-  **Setzen Sie den Akku oder das Gerät nicht Feuer oder übermäßigen Temperaturen aus.** *Bei Feuer oder Temperaturen über 130 °C besteht Explosionsgefahr.*

- **Befolgen Sie alle Ladeanweisungen und laden Sie den Akku oder das Gerät nicht außerhalb des in der Anleitung angegebenen Temperaturbereichs.** *Unsachgemäßes Laden oder Laden bei Temperaturen außerhalb des angegebenen Bereichs kann den Akku beschädigen und die Brandgefahr erhöhen.*

Service

- **Lassen Sie Ihr elektrisches Gerät von einem qualifizierten Reparaturmann reparieren, der nur identische Ersatzteile verwendet.** *Dadurch wird die Sicherheit des elektrischen Geräts gewährleistet.*
- **Warten Sie niemals beschädigte Akkupacks.** *Die Wartung von Akkupacks sollte nur vom Hersteller oder von autorisierten Dienstleistern durchgeführt werden.*

TrapMaster Pro Sicherheitshinweise

- **Spielen Sie niemals mit dem TrapMaster Pro. Zielen Sie niemals auf Personen oder Tiere.** **Verwenden Sie den TrapMaster Pro nur im Freien und in offenen Räumen.** *Schießen Sie immer in die Luft.*

- **Verwenden Sie den TrapMaster Pro nur auf permanenten oder temporären Schießständen.** *Gebrauchte Tontauben, ob ganz oder in Teilen, dürfen nicht in privaten oder öffentlichen Bereichen zurückgelassen werden, wo Menschen, Kinder, Tiere oder Vieh zufällig mit ihnen in Berührung kommen können.*



Tragen Sie zusätzlich zum Augenschutz immer einen Gehörschutz, wenn der TrapMaster Pro in der Nähe von Schützen verwendet wird. *Der Augenschutz ist wichtig, da der TrapMaster Pro Gefahren birgt und der Schießlärm Ihr Gehör schädigen kann.*

- **Halten Sie den TrapMaster Pro immer sicher und mit geradem Arm in die Richtung der beabsichtigten Flugbahn der Tontaube(n).** *Dies wird eine klare Indikation der Flugbahn ermöglichen. Ein abgeknickter Arm kann dazu führen, dass die Tontaube den TrapMaster Pro in einem unsicheren Abstand zum Benutzer des TrapMaster Pro und zu nahe stehenden Personen verlässt.*

Zielen, zeigen oder schießen Sie niemals auf Personen oder lebende Tiere. Schießen Sie immer in die Luft. Eine freie Sicht von 40 Grad nach links und rechts von der Zielrichtung des TrapMaster Pro ist zwingend erforderlich. *Dadurch wird sichergestellt, dass der Benutzer des TrapMaster Pro Menschen und Tiere beobachten kann, die zufällig in den Schussbereich gelangen, und konsequenterweise nicht erneut schießen.*

- **Versuchen Sie niemals, die rotierende Tontaube mit der Hand oder einem vor den TrapMaster Pro gehaltenen Gegenstand anzuhalten, wenn der rote Feuerknopf gedrückt wurde. Stattdessen stoppen Sie die Tontaube, indem Sie den TrapMaster Pro mit dem Netzschalter ausschalten.** *Die Tontaube ist zerbrechlich und splittert, wenn sie auf etwas trifft. Die Splitter sind möglicherweise scharfkantig und können Verletzungen verursachen.*
- **Bevor Sie den roten Feuerknopf drücken, vergewissern Sie sich immer, dass niemand im Weg steht und dass die Sicherheitsabstände von allen in der Nähe befindlichen Personen eingehalten werden. Vergewissern Sie sich, dass jeder sich der Person, die mit dem TrapMaster Pro schießt, bewusst ist.**
- **Verwenden Sie nur Original-Tontauben vom Hersteller des TrapMaster Pro, Nordic Clays.** *Andere Tontauben mit anderer Stärke, Gewicht, Balance, Treibladung usw. können unvorhergesehene Gefahren verursachen und den TrapMaster Pro zerstören.*

Sicherheitsabstände

- **Beim Abschuss von Tontauben dürfen sich in einem Abstand von 120 m vor dem Benutzer des TrapMaster Pro oder in einem rechteckigen Bereich 2,0 m links, 2,0 m rechts und 1,0 m dahinter keine Personen, Tiere oder Vieh befinden.** *Dies soll die Menschen in der Nähe vor Splittern schützen, falls die Tontaube beim Abwurf oder unmittelbar danach zerbricht.*

Benutzer

- **Erwachsene, die die Bedienungsanleitung gelesen und verstanden haben und dadurch Kenntnisse über die Funktion des TrapMaster Pro sowie die Sicherheitshinweise etc. erlangt haben, müssen körperlich und geistig gesund sein, sowie über ein normales Seh- und Hörvermögen verfügen, ggf. unter Verwendung einer Brille/Hörhilfe.**
- **Der TrapMaster Pro darf nur von Personen über 16 Jahren benutzt werden. Jugendliche im Alter von 16 bis 17 Jahren müssen von erfahrenen Nutzern beaufsichtigt werden und darüber hinaus die Anforderungen an erwachsene Nutzer erfüllen.** *Die Altersgruppe der 16- bis 17-Jährigen verfügt möglicherweise über eine reduzierte Autorität und ist sich der Risiken kaum bewusst.*

2 Produktübersicht

2.1 Hersteller

Nordic Clays ApS
 Rolighedsvej 9, 1. TV
 DK-1958 Frederiksberg C
 Telefon: +45 29 88 22 93
 E-Mail: info@nordicclays.com

2.2 Benennung des Tontaubenwurfgeräts

Die vollständige Bezeichnung: TrapMaster Pro 1.0

2.3 Verwendungszweck

Das Gerät wird mit einem geraden Arm nach vorne gehalten, um kreisförmige Tontauben aus biobasiertem Material abzuschießen, die als Wurfscheiben beim Tontaubenschießen dienen.

2.4 Verbotene Anwendungen

Der TrapMaster Pro darf nur bestimmungsgemäß verwendet werden. Der Benutzer darf den TrapMaster Pro niemals demontieren, da dies zum Erlöschen der Garantie führt.

2.5 Abgebildete Komponenten

Die Nummerierung der abgebildeten Komponenten bezieht sich auf die Abbildung des elektrischen Geräts auf Seite 2.

- 89: Netzschalter (ein/aus)
- 90: LED-Anzeige für den Akkustand
 - a. Akkustände:
 - i. Grün = 33-100%
 - ii. Rot = 0-33%
- 91: Integrierter wiederaufladbarer Akku (Li-Ion)
- 92: Steckdose für Akkuladegerät
- 93: LED-Ladeanzeige
 - a. Rotes Licht = wird geladen
 - b. Kein Licht = voll aufgeladen.
- 94: Stufenweiser Leistungsregler (Stufen 0 - 9)
 - a. 9 ist die höchste Geschwindigkeit
 - b. 0 ist die niedrigste Geschwindigkeit
- 95: Schacht
- 96: Blauer Ladeknopf zum Verriegeln der Tontaube(n) im Schacht
 - a. Wenn die Krallen herausgezogen sind, kann die Taste gedrückt gehalten werden, um sie wieder einzuziehen.
 - i. Wenn die Taste gedrückt gehalten wird, funktioniert die rote Taste (9) nicht.
 - b. Sie können das Gerät auch neu starten, um die Krallen wieder einzuziehen.
- 97: Rote Feuertaste zum Abschießen der Tontaube(n)
- 98: Griff
- 99: Tontaube
 - a. Kann in beide Richtungen in den Schacht geladen werden (7)

2.6 Funktion des TrapMaster Pro

Der TrapMaster Pro wird mit dem Netzschalter (1) eingeschaltet, die Tontaube(n) (11) wird/werden in den Schacht (7) montiert, die drei "Krallen" werden durch den blauen Ladeknopf (8) aktiviert, das Abschießen und Beschleunigen der Tontaube(n) wird durch den roten Feuerknopf (9) aktiviert. Wenn die Drehgeschwindigkeit der Tontaube(n) der Einstellung des stufenweisen Leistungsreglers (6) entspricht, bewegt sich der Schacht ein Stück nach vorne, während sich die Krallen zurückziehen, und die Tontaube(n) fliegt/fliegen aus dem TrapMaster Pro heraus, wobei die Drehung des Schachts kurz darauf stoppt. Wenn sich der Schacht nicht mehr dreht, ist der TrapMaster Pro bereit für den nächsten Schuss.

2.7 Technische Daten

2.7.1 Gewicht

2,0 kg.

2.7.2 Elektrische Energieversorgung

Nennspannung: 15 V DC

Maximaler Ladestrom: 1,2 A

Empfohlenes Ladegerät: TDX-1501200

2.8 Emission, Lärm

Der vom TrapMaster Pro erzeugte A-bewertete Emissionsschalldruckpegel, LpA, überschreitet nicht 70 dB(A).

2.9 Betriebs- und Lagerbedingungen

Im Freien mit guter Sicht auf permanenten oder temporären Tontaubenschießständen.

Umwelt	
Zulässiger Umgebungstemperaturbereich bei Betrieb und Lagerung.	-10 bis +40 °C
Empfohlener Umgebungstemperaturbereich für Langzeitlagerung (über 3 Monate).	20 ±5 °C
Empfohlener Umgebungstemperaturbereich während des Ladevorgangs.	0 bis +35 °C
Zulässige relative Luftfeuchtigkeit (nicht kondensierend)	Min. 20 % Max. 90 %
Empfohlene relative Luftfeuchtigkeit bei längerer Lagerung (über 3 Monate).	65 ±20 %
EMC-Umgebung	B, (Wohnimmobilien, leichtindustrielle Standorte oder vergleichbare Gebiete)

2.10 Vorgesehene Nutzungsdauer des Geräts

Der TrapMaster Pro hat eine voraussichtliche Nutzungsdauer von 5 Jahren. Nach Ablauf der 5 Jahre muss der TrapMaster Pro bei einem Service durch den Hersteller gewartet oder überholt werden.

3 Aufladen

Verwenden Sie nur das im Abschnitt "Elektrische Stromversorgung" aufgeführte Ladegerät oder ein Ladegerät mit identischen Spezifikationen.

Wenn die Anzeige-LED (2) nach dem Einschalten des TrapMaster Pro überhaupt nicht leuchtet, ist der Akku leer und muss aufgeladen werden. Wenn das Licht rot leuchtet, ist die Kapazität des Akkus niedriger als 33 %. Das Licht muss entweder grün, gelb oder rot leuchten, damit der TrapMaster Pro bereit und funktionsfähig ist.

Zum Aufladen des TrapMaster Pro:

- Entfernen Sie die Schutzkappe (4)
- Stecken Sie den kleinen Stecker des Ladegerätes ein
- Schließen Sie das Ladegerät an den Netzstecker an
- Prüfen Sie, ob die rote Lade-LED (5) leuchtet, um anzuzeigen, dass das Gerät geladen wird.
- Setzen Sie den Ladevorgang fort, bis die Lade-LED erlischt und damit anzeigt, dass der Ladevorgang abgeschlossen ist.
- Ziehen Sie den Stecker des Ladegeräts aus der Steckdose und dann aus dem TrapMaster Pro
- Stecken Sie die Schutzkappe wieder in den Stecker (4).

Der TrapMaster Pro sollte während des Ladevorgangs immer ausgeschaltet sein.

Vermeiden Sie es, während des Ladevorgangs das Ladegerät oder den Akkutteil des TrapMaster Pro unterhalb des Griffs abzudecken, und sorgen Sie für eine gute Belüftung.

4 Betrieb

Der Betrieb des Geräts muss mit dem bestimmungsgemäßen Gebrauch des Geräts übereinstimmen. Siehe Abschnitt 2.4 Bestimmungsgemäße Verwendung.

4.1 Risiken und Gefährdungen

Alle Benutzer müssen alle in Abschnitt 1 Sicherheit beschriebenen Sicherheitsaspekte durchlaufen haben, bevor sie das Gerät zum ersten Mal in Betrieb nehmen.

4.2 Steuerung

Der TrapMaster Pro wird manuell über den Netzschalter (1), den stufenweisen Leistungsregler (6), die blaue Ladetaste zum Verriegeln der Tontaube(n) (8) und die rote Feuertaste (9) gesteuert. Die Nummern beziehen sich auf Abschnitt 2.6 TrapMaster Pro-Funktionen.

4.3 Betriebsarten

- **Manueller Betrieb:** Der Benutzer fixiert die Tontaube(n) am Schacht (7) durch Betätigen der blauen Ladetaste (8) und startet ihn durch Drücken der roten Feuertaste (9). Dies wird wiederholt durchgeführt. Die Nummern beziehen sich auf Abschnitt 2.6 TrapMaster Pro-Funktionen.
- **Aufladen:** Der Benutzer lädt den integrierten Akku mit dem mitgelieferten Ladegerät auf.

4.4 Start

Jedes Mal, wenn Sie den TrapMaster Pro in Betrieb nehmen, nachdem er auch nur für kurze Zeit beiseite gelegt wurde, müssen Sie den Netzschalter auf seine Funktion als Notausschalter überprüfen. Wie man das macht, siehe Abschnitt 5 "Inspektion und Prüfung des TrapMaster Pro".

Vor der Verwendung des TrapMaster Pro muss der Benutzer außerdem sicherstellen, dass:

- Er sicheren Stand hat
- Freie Sicht von 40 Grad nach links und rechts der Zielrichtung besteht
- Sich in den genannten Winkeln keine Menschen befinden.

4.5 Montieren und Starten von Tontauben

- Nehmen Sie eine neue Tontaube/neue Tontauben (11).
- Prüfen Sie, ob die Tontaube(n) unbeschädigt und intakt ist (sind); wenn nicht, legen Sie sie beiseite und nehmen Sie eine andere.
- Schalten Sie den TrapMaster Pro mit dem Netzschalter (1) ein.
- Warten Sie, bis die Anzeige-LED (2) aufleuchtet und der Einschaltton ertönt.
 - Drei schnelle Pieptöne und ein langer.
- Während Sie den TrapMaster Pro in der Hand halten, kippen Sie den TrapMaster Pro um 90° nach hinten, so dass der Schacht (7) zum Himmel zeigt und horizontal ist.
- Legen Sie die Tontaube in den Schacht (7), so dass die Tontaube auf dem Anschlag ruht.
- Drücken Sie den blauen Ladeknopf (8), um die Tontaube(n) im Schacht zu verriegeln.
 - Sollten Sie versehentlich den Knopf drücken, bevor Sie die Tontaube(n) einsetzen. Drücken Sie dann den Knopf und halten Sie ihn gedrückt, bis Sie die Tontaube(n) auf dem Schacht platziert haben.
- Beachten Sie das kurze, leise Geräusch und die Tontaube(n) ist/sind am Schacht befestigt.
- Überprüfen Sie nochmals Ihren Stand und dass sich keine Personen in den Gefahrenbereichen aufhalten.
- Drücken Sie den roten Feuerknopf (9), die Tontaube beginnt zu beschleunigen und verlässt den TrapMaster Pro 2-3 Sekunden später.
- Wenn sich der Schacht nicht mehr dreht, ist der TrapMaster Pro bereit für neue Tontaube(n) und Sie können den Vorgang wiederholen oder ihn mit dem Netzschalter (1) ausschalten.

4.6 Notsituationen

Während des Einsatzes können Gefahrensituationen auftreten, die ein sofortiges Anhalten des TrapMaster Pro erforderlich machen. Schalten Sie das Gerät in einem solchen Fall am Netzschalter (1) aus.

Die folgende Situation kann einen Notstopp des TrapMaster Pro erfordern:

- Eine gefährliche Situation
- Das plötzliche Auftreten unbekannter Zustände, z. B. anormale Geräusche (Rumpeln, Klopfen, Brutzeln), Vibrationen oder Hitze. In diesem Fall muss der Benutzer den TrapMaster Pro auf Fehler und Defekte überprüfen, bevor er ihn wieder einschaltet.

4.7 Beseitigung von Abfällen aus dem Betrieb

Nachdem Sie eine oder mehrere Tontauben geschossen haben, nehmen Sie immer Ihren Abfall mit, damit Sie die Natur so verlassen, wie Sie sie vorgefunden haben.

4.8 Transport

Verwenden Sie immer den mit dem TrapMaster Pro gelieferten Koffer, wenn Sie den TrapMaster Pro transportieren oder lagern.

Der integrierte Li-Ion-Akku unterliegt den Anforderungen der Gefahrgutvorschriften. Der Akku ist für den Straßen-transport durch den Benutzer ohne weitere Einschränkungen geeignet.

Beim Versand durch Dritte (z.B.: per Lufttransport oder Paketpost) sind besondere Anforderungen an die Verpackung und Kennzeichnung zu beachten. Wenden Sie sich für die Vorbereitung des Artikels an das Unternehmen, das Sie verwenden möchten. Seien Sie sich der Möglichkeit detaillierter nationaler Vorschriften bewusst.

5 **Wartung und Instandhaltung**

Es gibt keine vom Benutzer austauschbaren Teile.

Inspektion und Testen des TrapMaster Pro

Komponente/ Geräteteil:	Häufigkeit:	Wie (Methode):	Akzeptanz/ Nicht-Akzeptanz:	Aktion:	I/T/M <small>I = Inspektion, T = Test, M = Messen</small>
Sicherheitsrelevante Inspektion und Testen:					
Der Netzschalter für die Verwendung als Notausschalter.	Jedes Mal, wenn TrapMaster Pro auch nur für kurze Zeit zur Seite gelegt wurde und mindestens einmal im Jahr.	Folgen Sie den Anweisungen im Abschnitt "Montieren und Starten einer Tontaube", aber ohne Tontaube. Schalten Sie das Gerät innerhalb von 1 Sekunde nach Anlaufen des Motors am Netzschalter aus.	Der Motor muss sofort anhalten.	Im Falle einer Störung muss der TrapMaster Pro repariert werden, danach muss die Funktion erneut getestet werden.	I/T

6 **Reinigung**

Halten Sie den TrapMaster Pro sauber. Schalten Sie den TrapMaster Pro nach Gebrauch aus und reinigen Sie ihn gründlich von Staub und Schmutz. Verwenden Sie ein feuchtes Tuch mit etwas mildem Reinigungsmittel. Weichen Sie den TrapMaster Pro nicht in Wasser ein. Trocknen Sie den TrapMaster Pro nach der Reinigung vorsichtig ab. Lagern Sie den TrapMaster Pro nach der Reinigung in einer trockenen und sicheren Umgebung. Der TrapMaster Pro darf nicht über einen längeren Zeitraum in einem feuchten und nassen Raum gelagert werden.

7 **Fehlersuche**

7.1 Fehlersuche und allgemeine Fehlererkennung

Wenn beim Betrieb des Geräts Unregelmäßigkeiten festgestellt werden, muss so schnell wie möglich eine Untersuchung durchgeführt werden. Durch ein schnelles Eingreifen und die Behebung von Unregelmäßigkeiten kann eine gefährliche Situation verhindert und unnötiger Verschleiß und Belastung des Geräts vermieden werden. Wenn der TrapMaster Pro nach mehrmaligem Ausschalten und Wiedereinschalten nicht richtig funktioniert, muss das Gerät an unsere Fertigungsadresse geschickt werden.

Bei sich wiederholenden Fehlern, die auf einen unbekanntem Fehler zurückzuführen sind, ist eine Gesamtinspektion des Geräts durchzuführen. Sollten die Probleme weiterhin bestehen, wenden Sie sich telefonisch oder per E-Mail an den Hersteller und schildern Sie Ihre Probleme.

8 Entsorgung

Das Produkt unterliegt der Richtlinie 2012/19/EU über Elektro- und Elektronik-Altgeräte (WEEE) und 2006/66/EG über Batterien und Akkumulatoren sowie Altbatterien und Alttakkumulatoren.



Das Symbol weist darauf hin, dass dieses Produkt einschließlich des Akkus nicht über den Hausmüll entsorgt werden darf. Akkus, elektrische und elektronische Geräte enthalten Stoffe, die bei unsachgemäßem Recycling die menschliche Gesundheit und die Umwelt schädigen können. Es liegt in Ihrer Verantwortung, dieses Produkt bei einer ausgewiesenen örtlichen WEEE-Sammelstelle zum Recycling abzugeben. Mit der Abgabe zum korrekten Recycling tragen Sie dazu bei, dass diese Produkte Natur und Umwelt nicht unnötig belasten und die menschliche Gesundheit geschützt wird. Für weitere Informationen wenden Sie sich bitte an Ihre Stadtverwaltung oder Ihren Hausmüllentsorger.

Integrierter Akku: Der eingebaute Akku ist ein Li-Ion-Akku. Zerlegen Sie das Produkt nicht zur Entsorgung. Dies erfordert besondere Kenntnisse, um sicher zu arbeiten.

9 Kopie der EG-Konformitätserklärung

EG-Konformitätserklärung 2006/42/EF Anhang II A

Hersteller und Ersteller der technischen Unterlagen:

Name: Nordic Clays ApS
Adresse: Rolighedsvej 9, 1. TV
Postleitzahl und Stadt: DK-1958 Frederiksberg C

Hiermit wird erklärt, dass das Gerät vom Typ:

- TrapMaster Pro

In Übereinstimmung mit den folgenden Gemeinschaftsrichtlinien hergestellt worden ist:

- 2006/42/EF Maschinenrichtlinie
- 2014/30/EU EMV-Richtlinie

Friis Arne Petersen

Friis Arne Petersen

CEO

Position

Kopenhagen K

Ort

14-06-2022

Datum

FCC - Supplier's Declaration of Conformity (SDoC)

**Supplier's Declaration of Conformity
47 CFR § 2.1077 Compliance Information**

Unique Identifier: TrapMaster Pro 1.0

Responsible Party – U.S. Contact Information

Nordic Clays
221 W 9th St
Wilmington, DE 19801
www.nordicclays.com

FCC Compliance Statement (e.g., products subject to Part 15)

This device complies with Part 15 of the FCC Rules. Operation is subject to the following two conditions: (1) This device may not cause harmful interference, and (2) this device must accept any interference received, including interference that may cause undesired operation.

ISED - Supplier's Declaration of Conformity (SDoC)

**Supplier's Declaration of Conformity
ICES-003 Issue 7 Compliance Information**

Unique Identifier: TrapMaster Pro 1.0

Responsible Party – Canada Contact Information

Green Peak Wholesale Inc.
PO Box 23005 RPO Frederick
Kitchener, ON N2B 3V1
1-519-500-6977

The responsible party warrants that each unit of equipment marketed under this Declaration of Conformity will be identical to the unit tested and found acceptable with the standards and that the records maintained by the responsible party continue to reflect the equipment being produced under such Supplier's Declaration of Conformity continue to comply within the variation that can be expected due to quantity production and testing on a statistical basis.

ICES Compliance statement

This device complies with / Cet appareil est conforme à la norme ICES-003 Issue 7.

Operation is subject to the following two conditions / Le fonctionnement est soumis aux deux conditions suivantes: (1) this device may not cause interference, and / cet appareil ne doit pas causer d'interférences, et (2) this device must accept any interference received, including interference that may cause undesired operation of the device. / Cet appareil doit accepter toutes les interférences, y compris celles susceptibles de provoquer un fonctionnement indésirable de l'appareil.

NORDIC CLAYS INC.

Limited Warranty for Clay Thrower and Magazine

Limited Warranty

From the date of purchase in USA or Canada, Nordic Clays Inc. warrants your Nordic Clays clay thrower and magazine (hereafter the "**Product**") to be free from defects in material, construction and workmanship under normal use and service for one (1) year from the date of purchase. For the avoidance of doubt, Nordic Clays clay pigeons are sold "as is" without any warranty.

If warranty service should be necessary, please contact your reseller, distributor or representative for instructions and a return authorization number. Upon approval of your claim, you may then return the Product properly packaged and postage prepaid along with your proof of purchase, name, postal and email addresses, telephone number and a description of the claimed defect. Nordic Clays shall not be obliged to replace any Product which is not accompanied with a valid proof of purchase showing the purchase date.

Any Product, including any part or parts thereof which, upon examination by Nordic Clays, are found to be defective will be repaired or replaced with a comparable product or part (of equal or greater retail value) without charge during the warranty period. Nordic Clays reserves the right to utilize comparable reconditioned, refurbished, repaired or remanufactured products or parts in the warranty repair or replacement process.

You are responsible for the costs of shipping and handling and assume the risk of loss or damage to the Products when they are shipped from you to us for warranty service. Nordic Clays will be responsible for the costs of shipping and handling if and when Products are shipped from us to you when this limited warranty is found to apply. The warranty period for any Product repaired or replaced under this limited warranty shall be the remainder of the original warranty period. Under the terms of this limited warranty, Nordic Clays shall have no further obligations other than those stated above.

Exclusions to Limited Warranty

This limited warranty does not apply to damage caused by accidents, misuse, abuse, commercial use, neglect, tampering, alterations, ordinary wear and tear, damage in transit, damage due to environmental or natural elements, or service by unauthorized personnel. This limited warranty is limited to the original consumer with proof of purchase and is not transferable. If the product was not purchased new from Nordic Clays or an authorized reseller, distributor or representative of the Nordic Clays, this limited warranty is null and void. 2 of 2 October 2023 Version

Limitation of Liability

NORDIC CLAYS' SOLE AND EXCLUSIVE LIABILITY UNDER THIS LIMITED WARRANTY, AND THE CONSUMER'S SOLE AND EXCLUSIVE REMEDY, IS LIMITED TO THE REPAIR OR REPLACEMENT OF THE DEFECTIVE PRODUCT AT NORDIC CLAYS' SOLE OPTION. NORDIC CLAYS SHALL NOT BE LIABLE FOR ANY OTHER DAMAGES, INCLUDING, WITHOUT LIMITATION, SPECIAL, INCIDENTAL OR CONSEQUENTIAL DAMAGES, WHETHER DIRECT OR INDIRECT ARISING OUT OF OR IN CONNECTION WITH THE PRODUCT, ITS USE OR ITS PERFORMANCE. IN NO EVENT WILL NORDIC CLAYS' LIABILITY EXCEED THE PURCHASE PRICE PAID BY THE CONSUMER FOR THE PRODUCT(S) AT ISSUE. Any oral or written description of a Product is for the sole purpose of identifying it and shall not be construed as an express warranty. Any assistance the manufacturer, distributor or representative provides outside the terms or limitations of this limited warranty will not constitute a waiver of such terms or limitations or extend or revive the limited warranty. The limitations in this limited warranty apply notwithstanding any failure of the essential purpose of the limited remedies. Some states do not allow the exclusion or limitation of incidental or consequential damages, so the above limitation or exclusion may not apply to you.

THIS LIMITED WARRANTY IS EXPRESSLY GRANTED IN LIEU OF ALL OTHER EXPRESS WARRANTIES. THE DURATION OF ANY IMPLIED WARRANTIES, INCLUDING, BUT NOT LIMITED TO, THE IMPLIED WARRANTIES OF MERCHANTABILITY AND FITNESS FOR A PARTICULAR PURPOSE, RELATING TO THE PRODUCTS IS LIMITED TO THE PERIOD DESCRIBED ABOVE. Some states/jurisdictions do not allow limitations on how long an implied warranty lasts, so the above limitation may not apply to you. This limited warranty gives you specific legal rights, and you may also have other rights which vary from state to state or country to country. You may assert any such rights at your sole discretion.

Nordic Clays Service Department Contact Details

If warranty service should be necessary, please contact your reseller, distributor or representative. The contact details of your reseller, distributor or representative can be found on your purchase receipt(s) or at the following link: <http://www.nordicclays.com/find-a-store>