



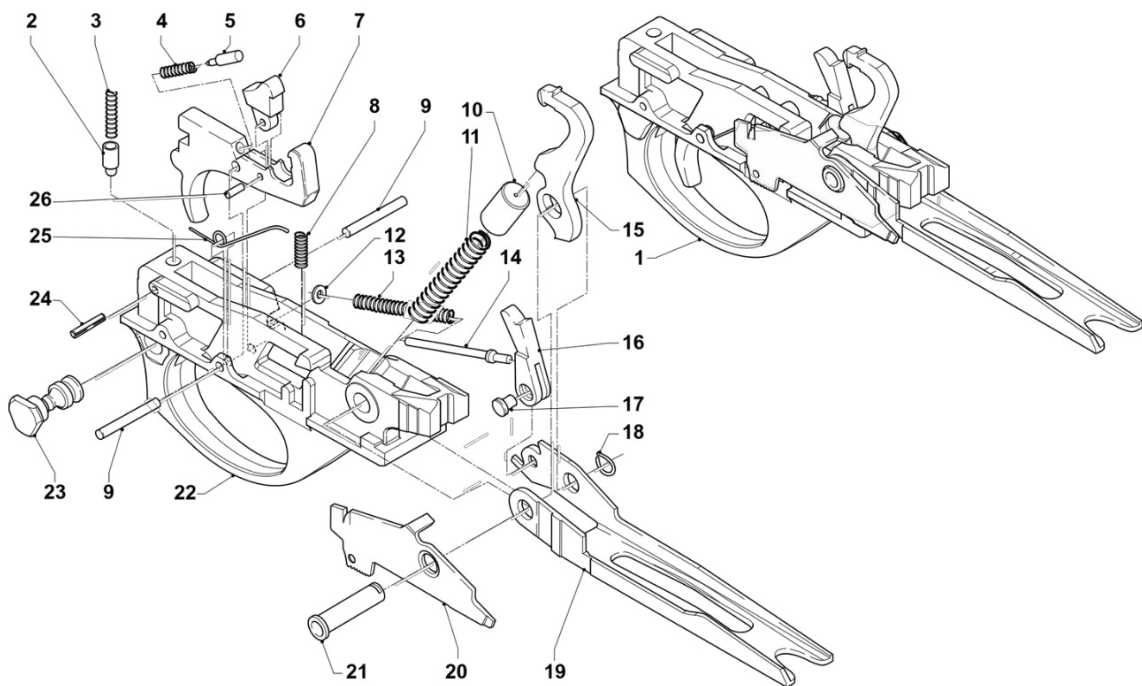
Technical model detail

M2



Technical model content

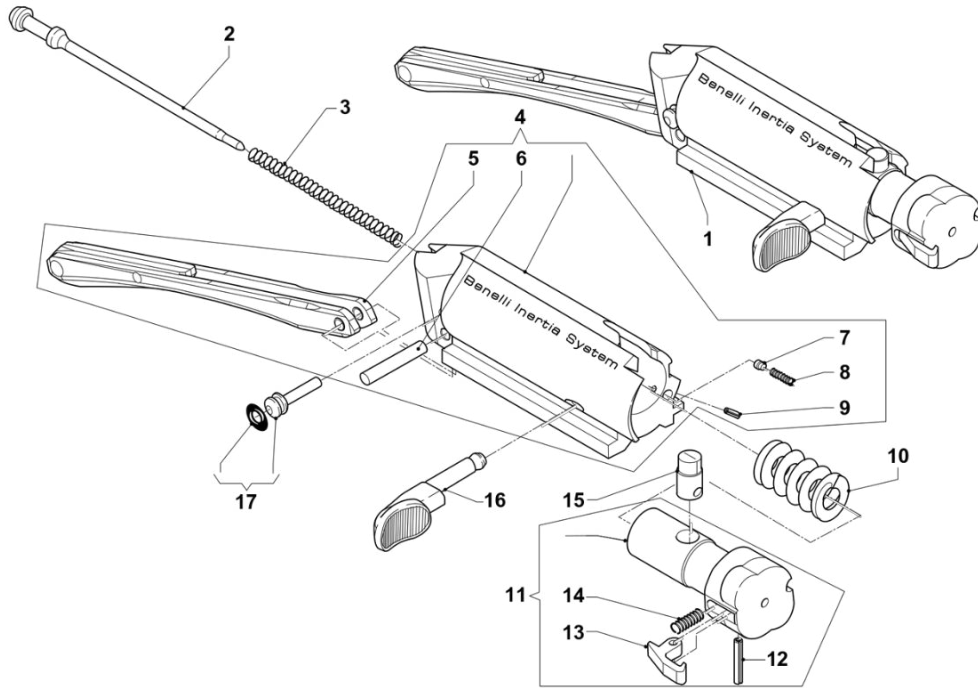
Table detail M2_TAV_I



| Position | Code | Name |
|----------|----------|-------------------------------|
| 1 | F0107700 | TRIGGER GROUP ASSEMBLY, BLUED |
| 2 | G0054200 | HAND SAFETY PLUNGER |
| 3 | G0032001 | SAFETY SPRING SHOTGUN TR |
| 4 | G0128500 | DISCONNECTOR SPRING |
| 5 | G0089101 | DISCONNECTOR PIN M4S90 |
| 6 | G0001200 | DISCONNECTOR HAMMER BLUED |
| 7 | G0002303 | TRIGGER (BLUED) |
| 8 | G0124000 | CLIP BUTTON SPRING |
| 9 | 90008800 | TRIGGER PIN |
| 10 | G0000100 | HAMMER SPRING CAP |
| 11 | G0218200 | HAMMER SPRING |
| 12 | 90010200 | WASHER |
| 13 | G0124200 | CARRIER SPRING |
| 14 | G0004301 | BOLT LATCH PIN RBH |
| 15 | G0001000 | HAMMER RBH |
| 16 | G0001400 | BOLT STOP TOOTH |
| 17 | G0003900 | BOLT STOP TOOTH PIN |
| 18 | G0032300 | TRIGGER GUARD PIN SPRING |
| 19 | G0001501 | CARRIER COLOR TERM M2 |
| 20 | G0076600 | CARTRIDGE DROP LEVER SPORT |
| 21 | G0089900 | TRIGGER PIN BUSH |

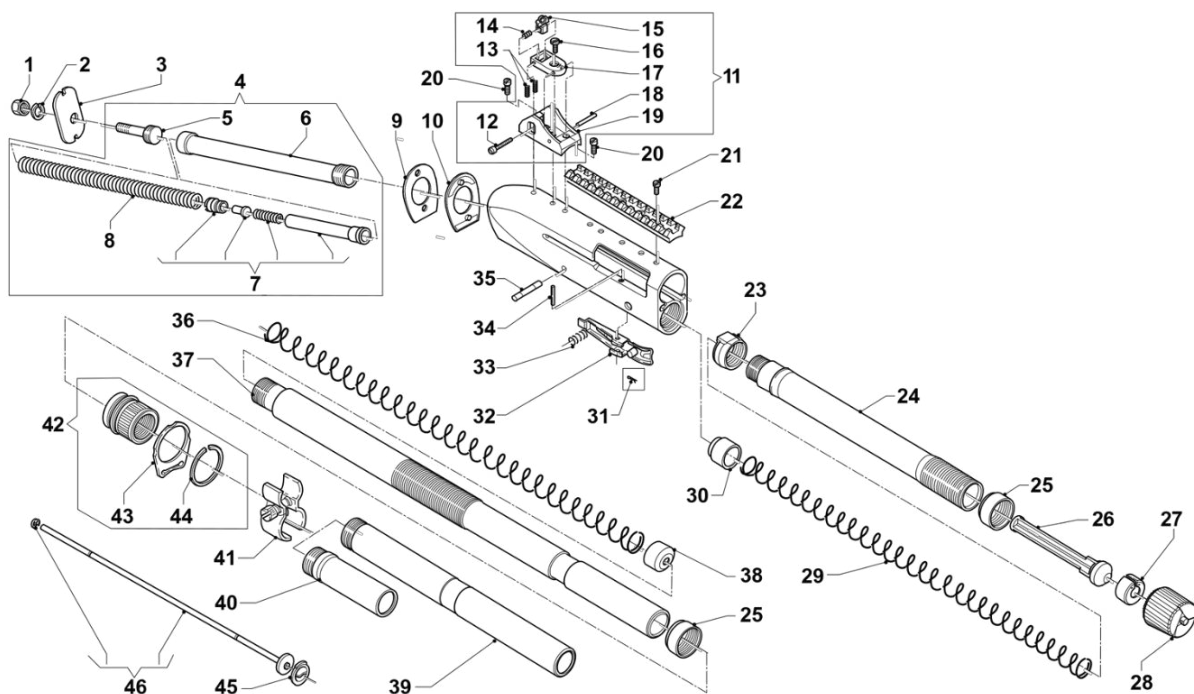
| | | |
|----|----------|-----------------------------|
| 22 | G0208000 | TRIGGER GUARD M2. |
| 23 | G0123800 | HAND SAFETY BUTTON M4 S90 |
| 24 | 90003200 | BUTTON PIN |
| 25 | G0032800 | CARTRIDGE DROP LEVER SPRING |
| 26 | G0004000 | DISCONNECTOR HAMMER PIN |

Table detail M2_TAV_2



| Position | Code | Name |
|----------|----------|------------------------------------|
| 1 | F0500200 | BOLT ASSBLY W/SER NUM BLUED M1 S90 |
| 2 | G0007301 | FIRING PIN RBH SHOTGUNS |
| 3 | G0033101 | FIRING PIN SPRING |
| 5 | G0079100 | LINK RAFF/MONTEFELTRO |
| 6 | G0091400 | LINK PIN |
| 7 | G0007500 | BOLT HANDLE PIN |
| 8 | G0126800 | BOLT HANDLE RETAINING SPRING |
| 9 | 90021600 | BOLT HANDLE SPRING RETAINING PIN |
| 10 | G0032901 | INERTIA SPRING |
| 12 | 90003100 | EXTRACTOR PIN |
| 13 | G0004902 | EJECTOR |
| 14 | G0126900 | EXTRACTOR SPRING M4 |
| 15 | G0007900 | LOCKING HEAD PIN RBH |
| 16 | G0005301 | BOLT HANDLE BLUED |
| 17 | F0004500 | FIRING PIN RETAINING PIN |

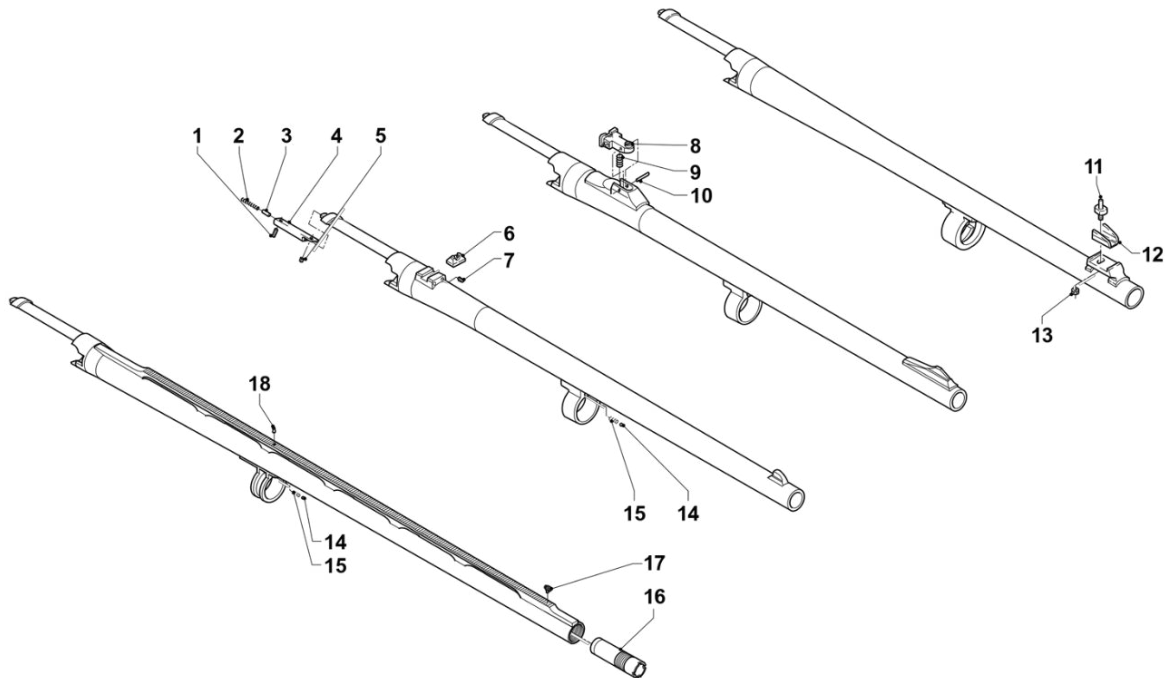
Table detail M2_TAV_3



| Position | Code | Name |
|----------|----------|---|
| 1 | 90006000 | STOCK RETAINING NUT |
| 2 | 90004800 | ELASTIC WASHER |
| 3 | G0187500 | STOCK LOCKING PLATE, DROP 50/55 R.H./L.H. (STEEL) |
| 3 | G0187600 | STOCK LOCKING PLATE, DROP 45/60 R.H./L.H. (STEEL) |
| 3 | G0240901 | STOCK LOCKING PLATE, DROP D 65 (12/20/28 GA) |
| 4 | F0111701 | RECOIL SPRING TUBE ASSEMBLY (FROM REG. NR. M760229, N125478) |
| 5 | F0111301 | STOCK RETAINING NUT SCREW (FROM REG. NR. M760229, N125478) |
| 6 | F0084601 | RECOIL SPRING TUBE ASSEMBLY, PARTIAL |
| 7 | F0111600 | MONTEFELTRO20/RAFF20 LIGHT LOAD ASSEMBLY M2 |
| 8 | G0218100 | RECOIL SPRING |
| 9 | G0204700 | STOCK CHANGE SHIM |
| 10 | G0204600 | DROP CHANGE SHIM 45 (SYNTHETIC) |
| 10 | G0136600 | DROP CHANGE SHIM 64 (SYNTHETIC) |
| 10 | G0136500 | DROP CHANGE SHIM 60 (SYNTHETIC) |
| 10 | G0136400 | DROP CHANGE SHIM 55 (SYNTHETIC) |
| 10 | G0136300 | DROP CHANGE SHIM 50 (SYNTHETIC) |
| 11 | F0049600 | REAR SIGHT ASSEMBLY, BLUED |
| 12 | G0104400 | SIDE ADJUSTMENT SCREW M1 S.90 PRAC.SHOOT. |
| 13 | G0104700 | MOLLA REGOLAZIONE ALTEZZA TACCA DI MIRA KAL.12 - M2, M3, M4, Nov |
| 14 | G0104600 | Molla regolazione laterale tacca di mira cal. 12 - M2, M3, M4 e Nova |
| 15 | G0104000 | REAR SIGHT LENS M1 S90 PRAC SH |
| 16 | G0104400 | SIDE ADJUSTMENT SCREW M1 S.90 PRAC.SHOOT. |
| 17 | G0104100 | Supporto diottra tacca di mira cal. 12 - M2, M3, M4 e Nova |
| 18 | G0104500 | Perno fissaggio supporto tacca di mira cal. 12 - M2 Practical e Tactical, M3, M4, Nova e S.Nova |
| 19 | G0104200 | REAR SIGHT PROTECTION BASE M1 S.90 PRAC.SHOOT. |
| 20 | G0105401 | REAR SIGHT SCREW M1 S.90 PRAC.SHOOT. |
| 21 | G0108202 | RAIL SCREW M1 S90 |
| 22 | G0131400 | SCOPE MOUNT BASE M2/M3 TACTICAL |
| 23 | G0009203 | BUSH M1/SBE |
| 24 | F0060600 | ASS TUBO SERBATOIO CORTO R.3C FIX ANOD.NERO OP. |
| 24 | F0026400 | FUC.M1/3.5' ASS TUBO SERBATOIO CORTO ANOD.NERO OP. FUC.M1/3.5' |
| 25 | G0008600 | LUG STOP RING |
| 27 | G0008900 | MAGAZINE SPRING SEAL RING |
| 28 | F0110200 | FORE-END FOLLOWER, SHORT TUBE |
| 29 | G0033402 | MAGAZINE SPRING |
| 30 | G0231202 | MAGAZINE FOLLOWER M2/SBE II |
| 32 | G0014301 | CARRIER LATCH |
| 33 | G0126200 | CARRIER LATCH SPRING |

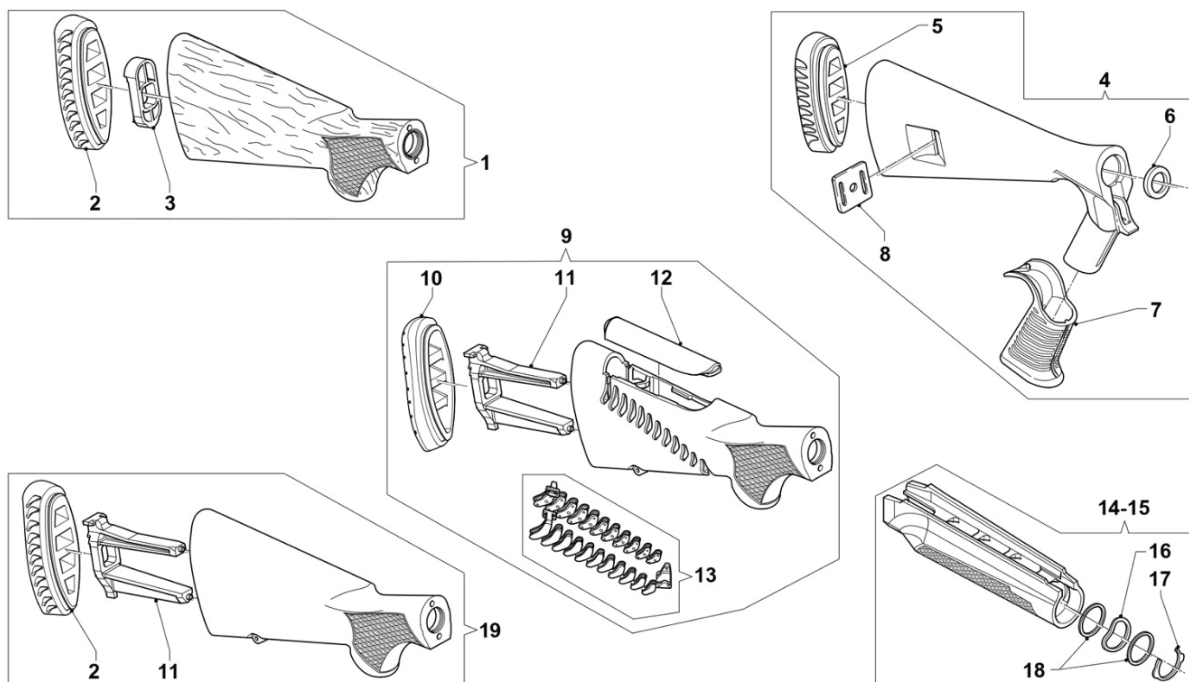
| | | |
|----|----------|--|
| 34 | 90002800 | CARRIER LATCH PIN |
| 35 | G0216600 | TRIGGER GUARD PIN M2 |
| 36 | G0033600 | MAGAZINE SPRING |
| 37 | F0010101 | ASS TUBO SERBATOIO ANOD.NERO OP. MI S.90 |
| 38 | G0062301 | MAGAZINE TUBE CAP M3/M3P |
| 39 | G0015701 | PROLUNGA LUNGA SERBATOIO ANOD.NERO OP. FUC.MI/3.5" |
| 40 | G0015800 | PROLUNGA CORTA SERBATOIO ANOD.NERO OP. FUC.MI/3.5" |
| 41 | F0056800 | RING ASSEMBLY FOR JOINING BARREL/MAGAZINE |
| 42 | F0005901 | FORE-END FOLLOWER, LONG TUBE |
| 43 | G0054601 | SLING SWIVEL RING ON NICKEL-PLATED CAP MI S90 |
| 44 | G0556600 | SWITCH ELASTIC RING M3 S90 |
| 45 | G0055200 | LIMITER RETAINING RING |
| 46 | G0030201 | 3-RD LIMITER M1S90/SBE |

Table detail M2_TAV_4



| Position | Code | Name |
|----------|----------|--|
| 1 | G0130800 | FRONT EJECTOR RETAINING RIVET |
| 2 | G0128100 | EJECTOR PIN SPRING M4 |
| 3 | G0089101 | DISCONNECTOR PIN M4S90 |
| 4 | G0092700 | EJECTOR FRAME MAGNUM |
| 5 | G0128000 | FRONT EJECTOR RETAINING RIVET |
| 6 | G0024200 | REAR SIGHT, BLUED |
| 7 | 90005800 | FRONT-SIGHT GUIDE GRUB SCREW |
| 8 | F0027000 | REAR SIGHT FOR SLUG BARREL - ADJUSTABLE REAR SIGHT |
| 9 | G0063700 | REAR SIGHT SPRING RBH |
| 10 | 90003100 | EXTRACTOR PIN |
| 11 | G0052700 | FRONT SIGHT BARREL M1 |
| 11 | G0021201 | FRONT SIGHT M3 S90 |
| 11 | G0021100 | FRONT SIGHT M1/M3 |
| 12 | G0022100 | FRONT SIGHT PROTECTION GUARD |
| 13 | G0125600 | FRONT SIGHT RETAINING NUT |
| 14 | G0122800 | CAP RETAINING PIN |
| 15 | G0128200 | SPRING FOR CAP RETAINING BALL |
| 16 | F0107001 | CRIO INTERNAL CHOKE (****) 12GA |
| 16 | F0106801 | CRIO INTERNAL CHOKE (***) 12GA |
| 16 | F0106701 | CRIO INTERNAL CHOKE (**) 12GA |
| 16 | F0106601 | CRIO INTERNAL CHOKE (*) 12GA |
| 16 | F0106901 | CRIO INTERNAL CHOKE (****) 12GA |
| 17 | G0020900 | FLUORESCENT FRONT SIGHT |

Table detail M2_TAV_5



| Position | Code | Name |
|----------|----------|--|
| 2 | G0222900 | RUBBER RECOL PAD M2/SBE II 360 MM |
| 3 | G0204801 | STOCK SPACER SPORT II |
| 4 | F0135001 | STOCK SYNTHETIC PISTOL GRIP KIT SBE II |
| 5 | G0138600 | RUBBER BUTT PLATE NOVA 20 |
| 6 | G0024502 | STOCK RING FOR M3 |
| 7 | G0026200 | GRIP |
| 8 | G0028200 | SLING SWIVEL PLATE |
| 9 | F0112001 | STOCK ASSEMBLY COMFORT MM 360 (R.H.) M2/SBE II |
| 10 | F0167300 | GEL RECOIL PAD LH COMFORTECH - LONG |
| 10 | F0166700 | GEL RECOIL PAD RH COMFORTECH - LONG |
| 10 | F0167400 | RECOIL PAD RH COMFORTECH - SMALL |
| 10 | F0167500 | RECOIL PAD 350MM LH COMFORTECH - SMALL |
| 10 | F0166600 | RECOIL PAD RH COMFORTECH - MEDIUM |
| 10 | F0167200 | RECOIL PAD LH COMFORTECH - MEDIUM |
| 11 | G0734200 | INSERTO CALCIO CONFORMATO M2/SBE II |
| 12 | F0167100 | GEL COMB LH COMFORTECH - HIGH |
| 12 | F0167000 | GEL COMB RH COMFORTECH - HIGH |
| 12 | F0166900 | GEL COMB COMFORTECH -MEDIUM |
| 12 | F0166800 | GEL COMB COMFORTECH - LOW |
| 13 | F0108700 | COMFORT CHEVRONS ASSEMBLY M2/SBE II |
| 14 | F0288400 | SYNTHETIC FORE-END ASSEMBLY M2/SBEII |
| 15 | F0109500 | WOOD FORE-END, GRI VER SBE II |
| 16 | G0092200 | ELASTIC WASHER |
| 17 | G0092400 | RETAINING RING |
| 18 | G0092300 | WASHER |
| 19 | F0129800 | SYNTHETIC STOCK ASSEMBLY, VARIABLE DROP SHIM, M2/SBEII |